

# FRAMELESS

CABINETS  
SPECIFICATION  
GUIDE | 2021



# CARB2 CERTIFICATION



Sandi Cabinet is proud to be a CARB2 Certified kitchen cabinet manufacturer. Our cabinets comply with the rules and regulations of composite wood products established by the California Code of Regulations, nationally implemented by the EPA.

# TABLE OF CONTENTS

Door Styles	
<i>High Gloss White</i>	2
<i>High Gloss Grey</i>	2
Cabinet Construction	3
Wall Cabinets	4
Base Cabinets	12
Tall Cabinets	20
Bath Cabinets	24
Panels and Skins	27
Molding and Trim	29
Roll Outs	32
Trash Can Pull Out	33
Hardware	34
Cleaning, Care, and Maintenance	35
Product and Finish Information	37
Warranty	38

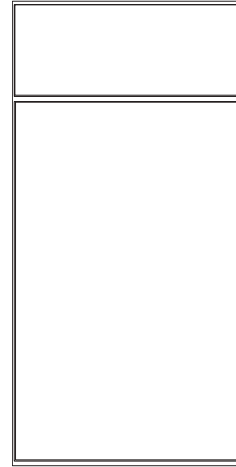
# DOOR STYLES

## High Gloss White

Order Code: **GW**



- Full overlay door style
- MDF mitered
- P.E.T. Veneered
- Same Color Edge Band



6 1/4"

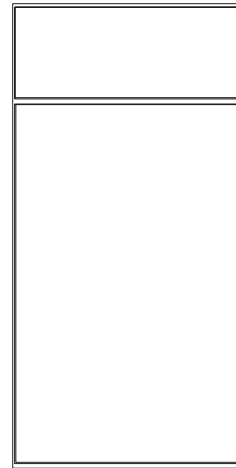
22 1/2"

## High Gloss Grey

Order Code: **GG**



- Full overlay door style
- MDF mitered
- P.E.T. Veneered
- Same Color Edge Band



6 1/4"

22 1/2"

DOOR STYLES

## NOTES

---

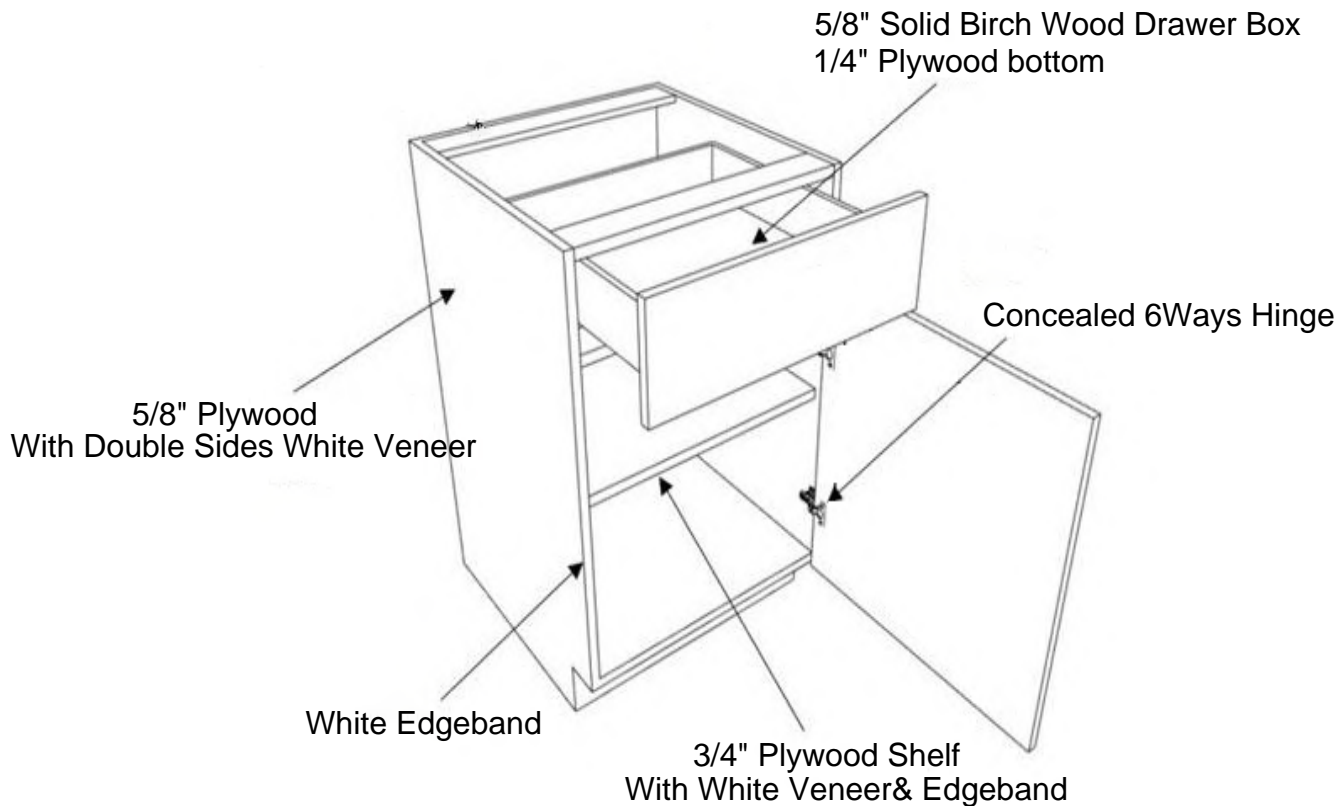
---

---

---

---

## Cabinet Specifications



### **Base Cabinets:**

Overlay Doors and Drawer Fronts with 1/16" Revealed  
Soft Closing Hinges and Drawer Guides  
Whole Carcass Plywood Construction  
Door&Drawer Face are made out of MDF With Veneer  
24" Deep

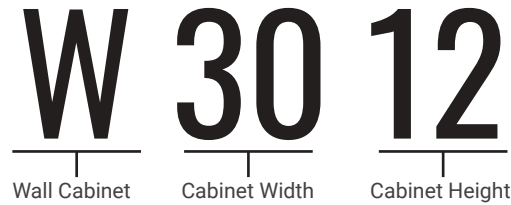
### **Wall Cabinets:**

Overlay Doors with 1/16" Revealed  
Soft Closing Hinges  
Whole Carcass Plywood Construction  
Doors are made out of MDF With Veneer  
13" Deep

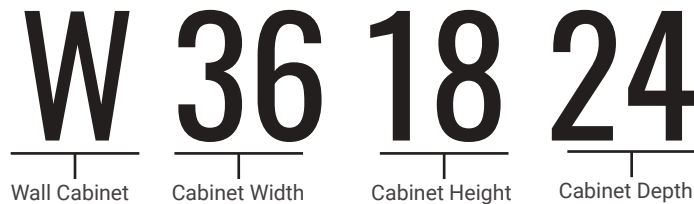
# WALL CABINETS

## CABINET IDENTIFICATION

The letter(s) represent the type of cabinet, the first set of numbers represents the width of the cabinet, and the second set of numbers represents the height of the cabinet.



Whenever a cabinet is shorter or deeper than the standard 12" for wall cabinets, it is represented by a third set of numbers.



## ORDER CODING

All wall cabinet order coding begins with the door order code

Example: **GW W1830**

## SPECIAL NOTES

- Wall cabinetry is 12" deep less otherwise noted
- Single door wall cabinetry is hinged on the right side of the face frame but can be flipped as necessary

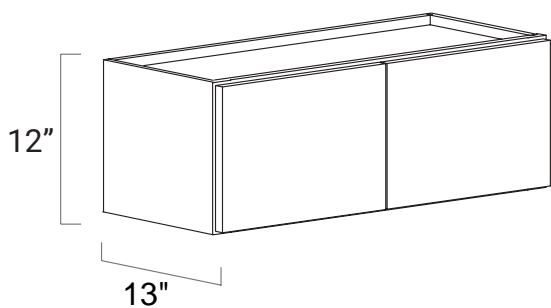
## AVAILABILITY KEY

●	Indicates availability
○	Indicates no availability



Look for the light bulb for helpful design tips!

## Wall Bridge Double Door 12" High

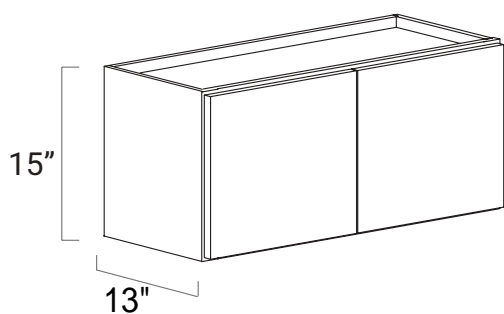


Order Code: **W3012**  
**W3312**  
**W3612**

●	GW
●	GG

- No shelf

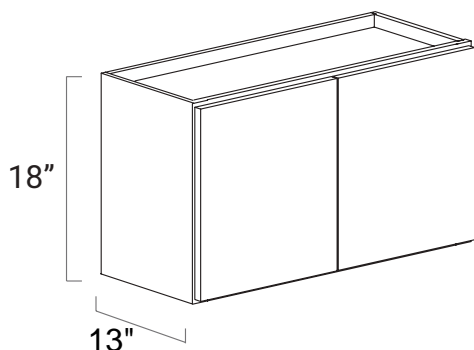
## Wall Bridge Double Door 15" High



Order Code: **W3015**  
**W3315**  
**W3615**

- No shelf

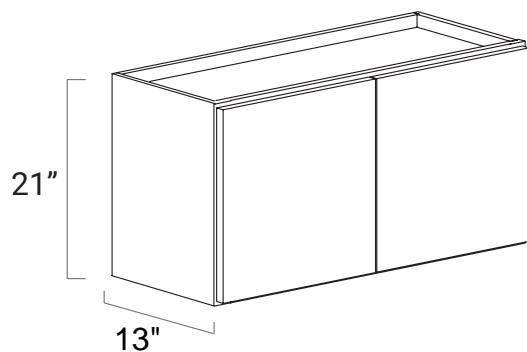
## Wall Bridge Double Door 18" High



Order Code: **W3018**  
**W3318**  
**W3618**

- No shelf

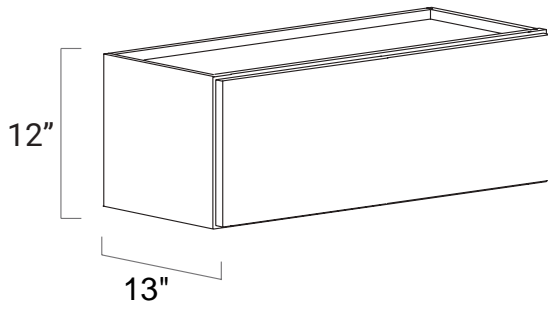
## Wall Bridge Double Door 21" High



Order Code: **W3021**  
**W3321**  
**W3621**

- No shelf

### LIFT UP Wall Bridge One Door 12" High

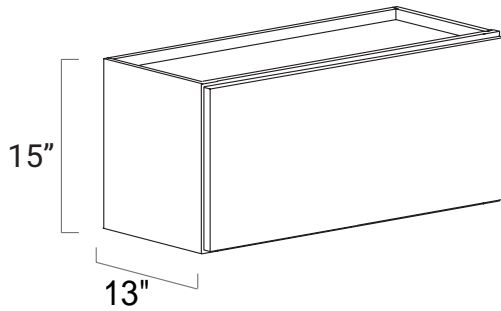


●	GW
●	GG

Order Code: **W2412**  
**W2712**  
**W3012**  
**W3312**  
**W3612**

• No shelf

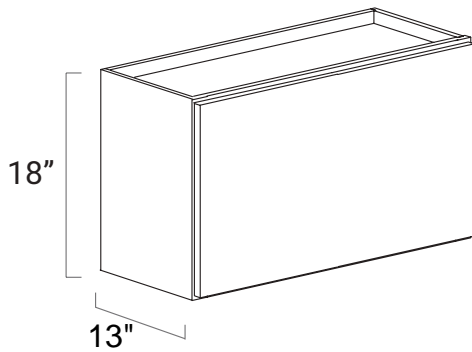
### LIFT UP Wall Bridge One Door 15" High



Order Code: **W2415**  
**W2715**  
**W3015**  
**W3315**  
**W3615**

• No shelf

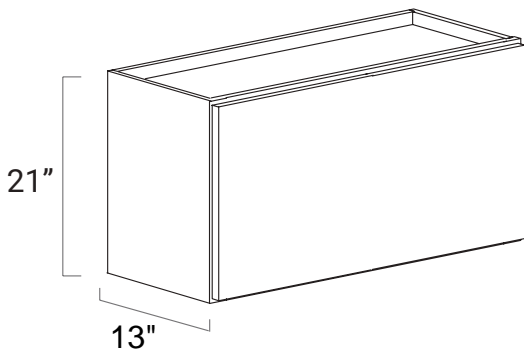
### LIFT UP Wall Bridge One Door 18" High



Order Code: **W3018**  
**W3318**  
**W3618**

• No shelf

### LIFT UP Wall Bridge One Door 21" High



Order Code: **W3021**  
**W3321**  
**W3621**

• No shelf



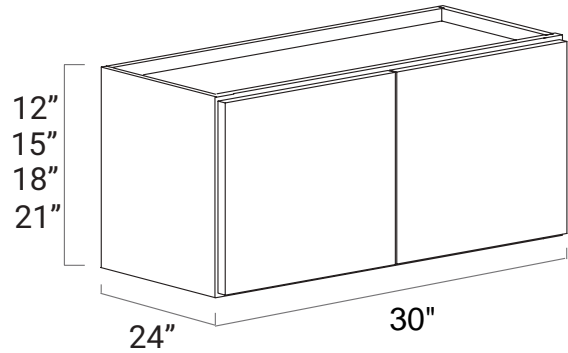
## WALL CABINETS

### 30" Wall Bridge Cabinet Double Door 24" Deep

Order Code: **W301224**  
**W301524**  
**W301824**  
**W302124\***

- Can be used as Refridgerator Cabinet

**\*** Can be used as Farmer Sink Base

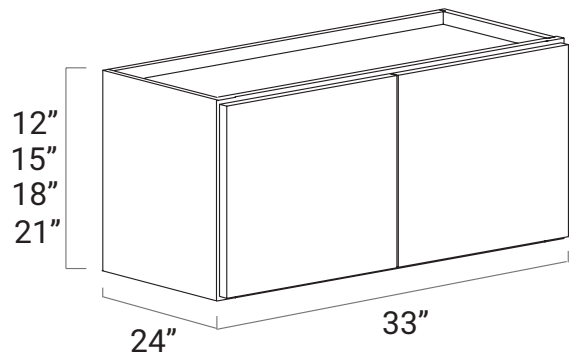


### 33" Wall Bridge Cabinet Double Door 24" Deep

Order Code: **W331224**  
**W331524**  
**W331824**  
**W332124\***

- Can be used as Refridgerator Cabinet

**\*** Can be used as Farmer Sink Base

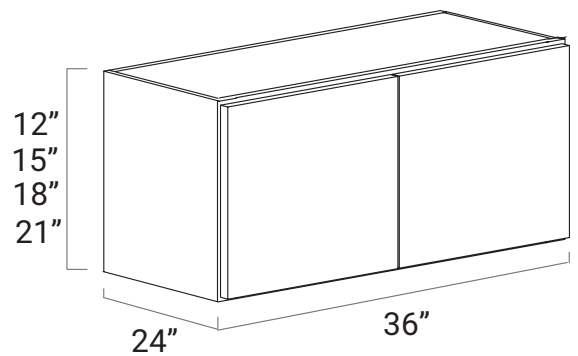


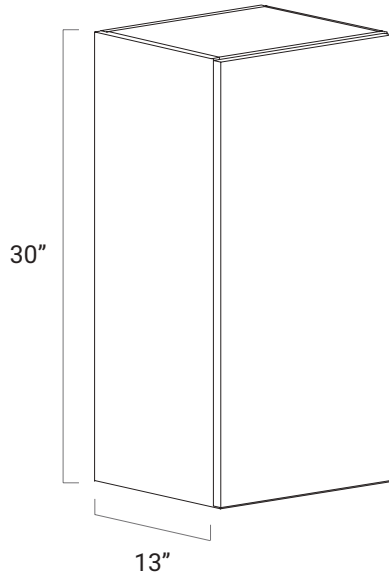
### 36" Wall Bridge Cabinet Double Door 24" Deep

Order Code: **W361224**  
**W361524**  
**W361824**  
**W362124\***

- Can be used as Refridgerator Cabinet

**\*** Can be used as Farmer Sink Base

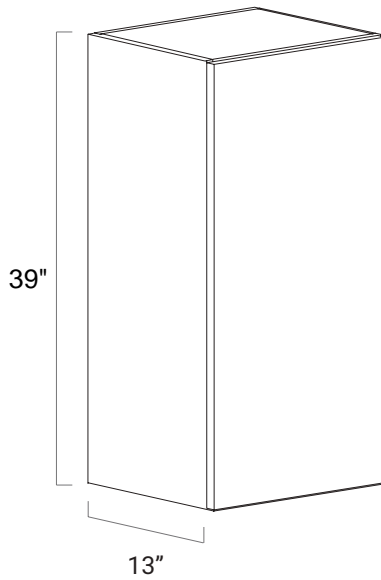




### Wall Single Door 30" High

Order Code: **W0930**  
**W1230**  
**W1530**  
**W1830**  
**W2130**

- Two adjustable shelves



### Wall Single Door 39" High

Order Code: **W0939**  
**W1239**  
**W1539**  
**W1839**  
**W2139**

- Two adjustable shelves

### NOTES

---

---

---

---

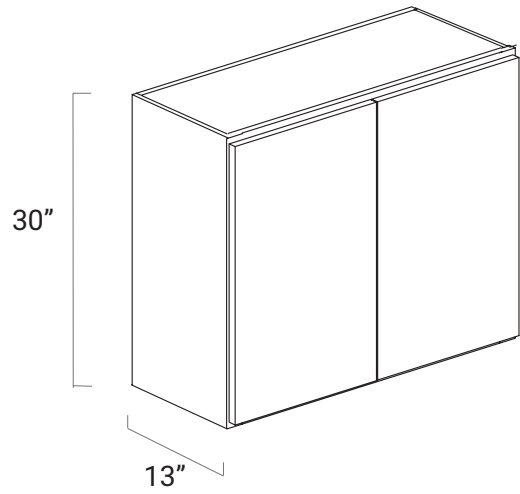
---

# WALL CABINETS

## Wall Double Door 30" High

Order Code: **W2430**  
**W2730**  
**W3030**  
**W3330**  
**W3630**

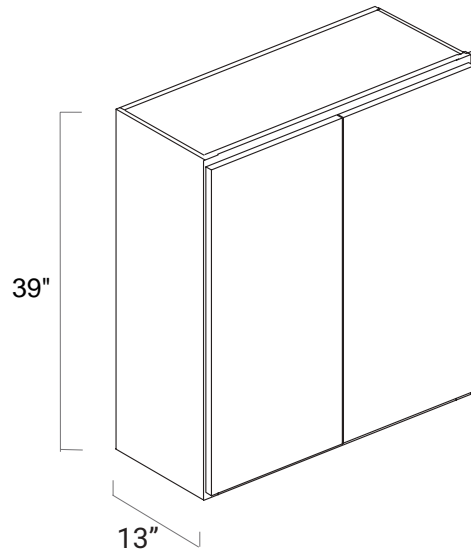
- Two adjustable shelves



## Wall Double Door 39" High

Order Code: **W2439**  
**W2739**  
**W3039**  
**W3339**  
**W3639**

- Two adjustable shelves



## NOTES

---

---

---

---

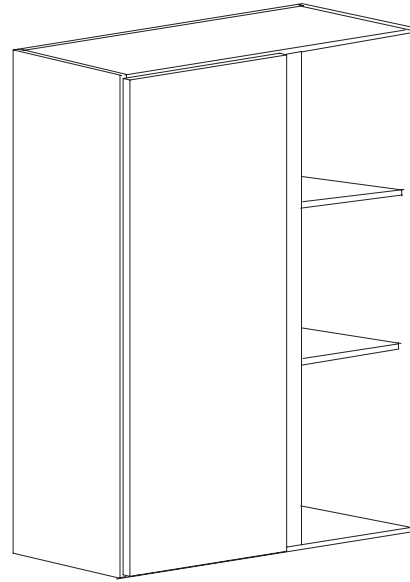
---

# WALL CABINETS

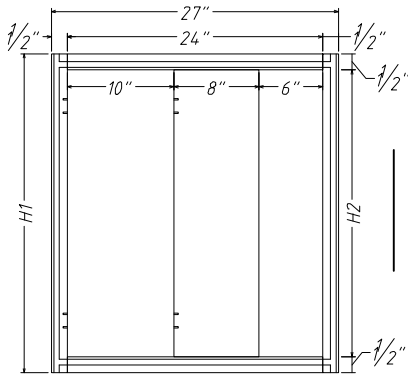
## Wall Blind Corner

Order Code: **WBC2730**  
**WBC2739**

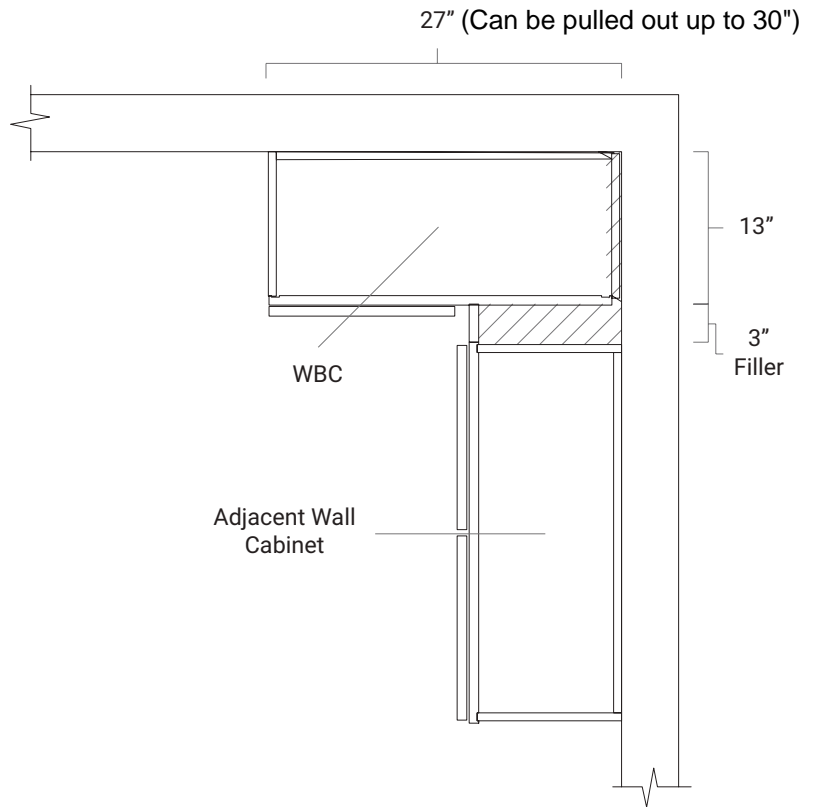
- 27" wide
- Two adjustable shelves
- Must be pulled 1" from the adjacent wall for a total of 28" wide
- 3" wall filler included
- Cabinet can be flipped for left/right application
- Hinges are located on center stile of the face frame and can be flipped as necessary



FACE FRAME  
 OPENING DIMENSIONS



INSTALLATION DIAGRAM

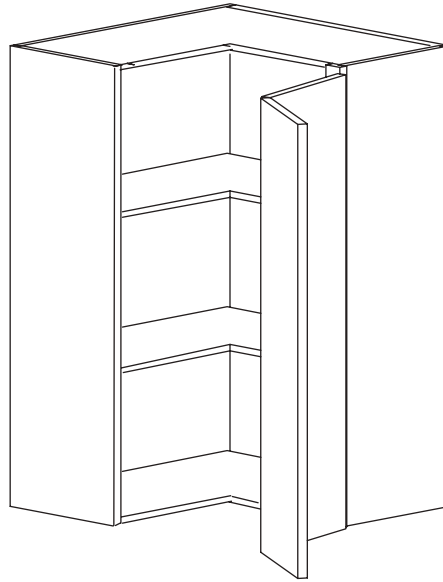


# WALL CABINETS

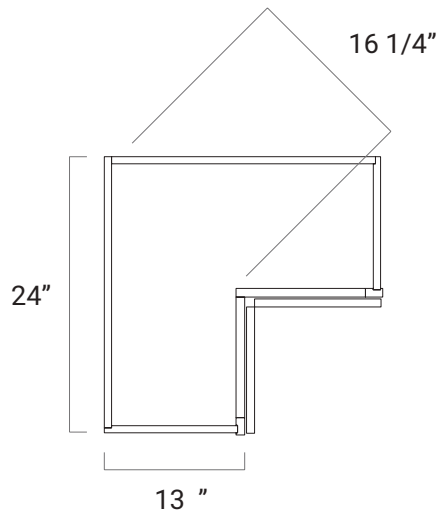
## Wall Easy Reach

Order Code: **ERC2430**  
**ERC2439**

- Bi-folding door
- Two adjustable shelves
- Soft close not available

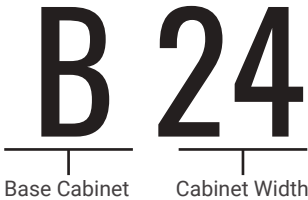


TOP VIEW

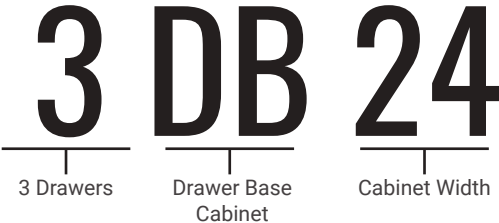


### CABINET IDENTIFICATION

The letter(s) represent the name of the cabinet, and the following set of numbers represents the width of the cabinet.



Whenever a base cabinet has all drawers and no doors, also known as a drawer base, the cabinet code will start with a number. This represents the number of drawers the cabinet has.



### ORDER CODING

All base cabinet order coding begins with the door order code

Example: **GG BT9**

### SPECIAL NOTES

- Base cabinetry is 24" deep less otherwise noted
- Single and bi-fold door base cabinetry is hinged on the right side of the face frame but can be flipped as necessary

### AVAILABILITY KEY

●	Indicates availability
○	Indicates no availability

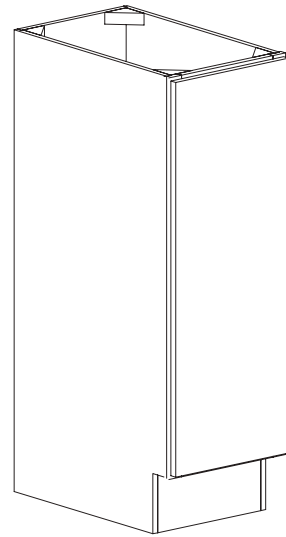


Look for the light bulb for helpful design tips!

## BASE CABINETS

### Base Full Height Door

Order Code: **BT6**  
**BT9**

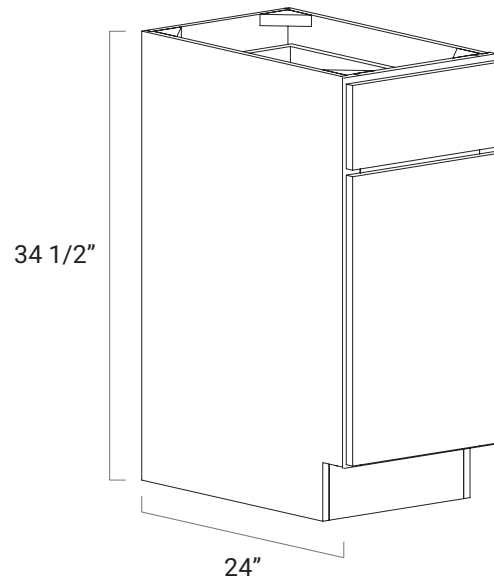


*The BT6/BT9 is a great cabinet to use for storing trays, baking sheets, and cutting boards.*

### Base Single Door

Order Code: **B12**  
**B15**  
**B18**  
**B21**

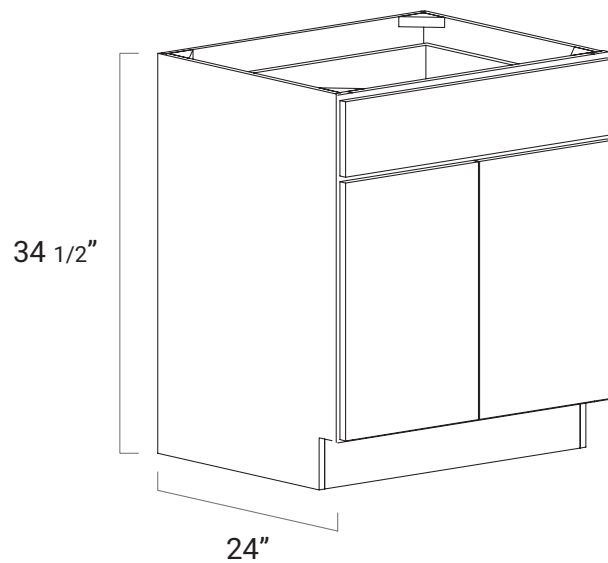
- One adjustable shelf

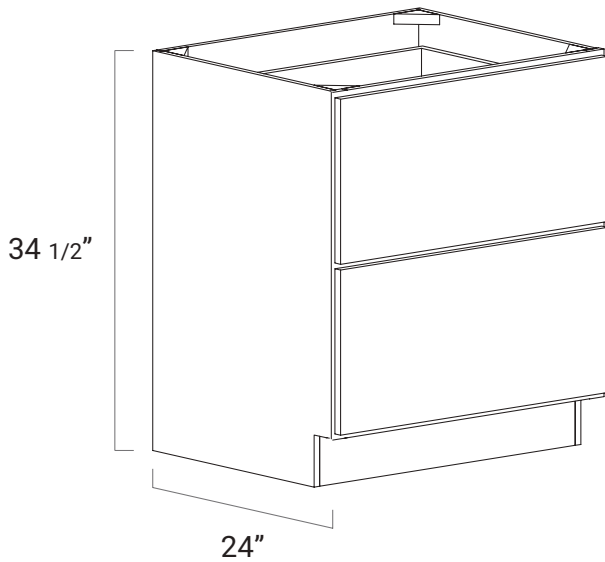


### Base Double Door

Order Code: **B24**  
**B27**  
**B30**  
**B33**  
**B36**

- One adjustable shelf



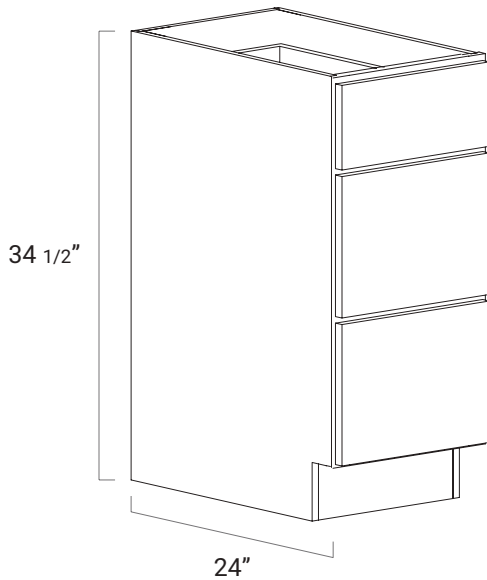


## Two Drawer Base

Order Code: **2DB30**  
**2DB33**  
**2DB36**

- Two deep drawers
- Heavy load-bearing, full extension glides
  - Rated for 100 lbs.

*Great for storing pots and pans near a cooking station.*



## Three Drawer Base

Order Code: **3DB12**  
**3DB15**    **3DB18**  
**3DB21**    **3DB24**  
**3DB27**    **3DB30**  
**3DB33**    **3DB36**

- Three deep drawers
- Top drawer aligns with standard base cabinetry

*Wider drawer bases are great for storing utensils, pots, and pans near a cooking station.*



## Base Spice Rack

Order Code: **BSPR09**  
**BSPR12**

- Pre-assembled
- 5-piece front
- Full extension glides without soft close
- Hardwood interior
- 20 5/8" shelf depth
- Requires decorative hardware to pull open
- Can hold a variety of spice container sizes

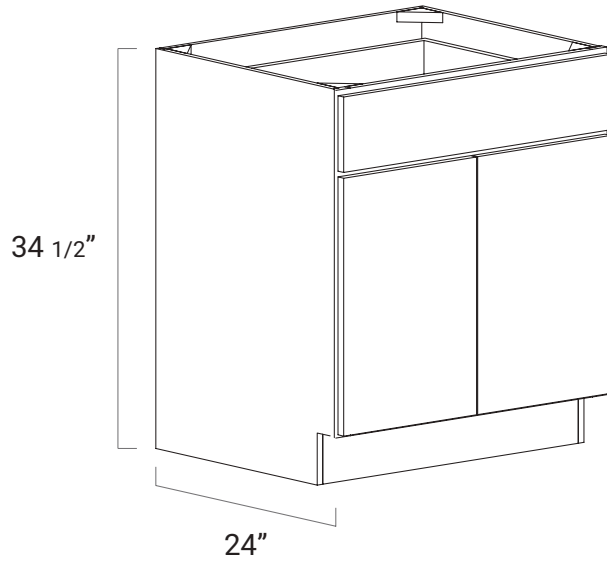


# BASE CABINETS

## Sink Base

Order Code: **SB33**  
**SB36**  
**SB39**  
**SB42**

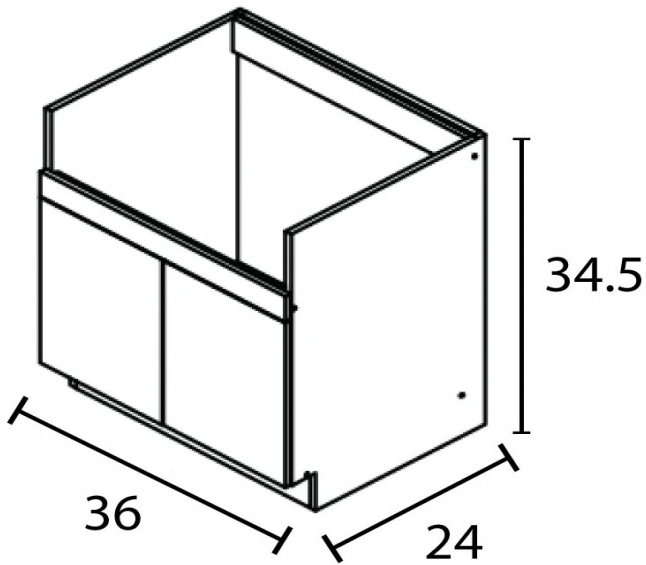
- False drawer front



BASE CABINETS

## Farmer Sink Base

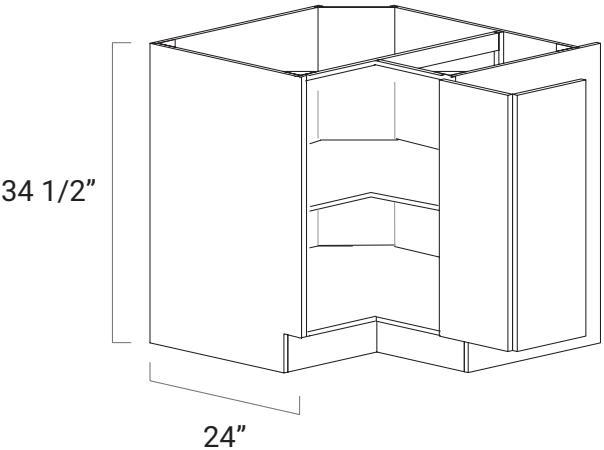
Order Code: **FSB36**



Lazy Susan \*

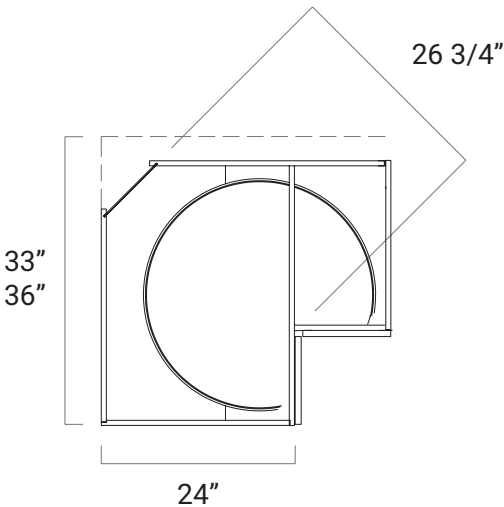
Order Code: **LSB33**  
**LSB36**

●	SW
●	SG
●	SE
●	CS
●	CW
●	PW
●	YC
●	AG



- Full shelf
- Full height, bi-folding door
- Soft close not available
- Magnetic door catch attached
- Designed to prevent warpage

TOP VIEW

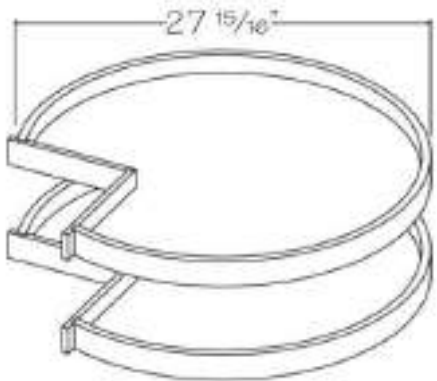


\* Wooden tray are not included, need to be purchased seperately.

*When positioning against an appliance, such as a range or refrigerator, place the hinge on the opposite side of the appliance. This allows the door to open past 90 degrees for maximum cabinet access.*



BASE CABINETS



Order Code: **TB33-36**

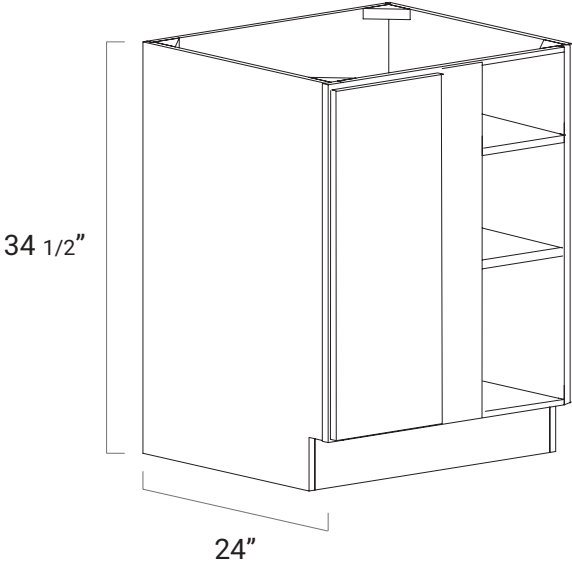
- \* Wooden tray is sold by piece, not set of 2
- Natural Wood Finish
- Rotating, pie-cut trays
- Trays are made of wood veneered plywood with a solid wood perimeter lip
- Undermount bearings allow for independent rotation and full access to trays



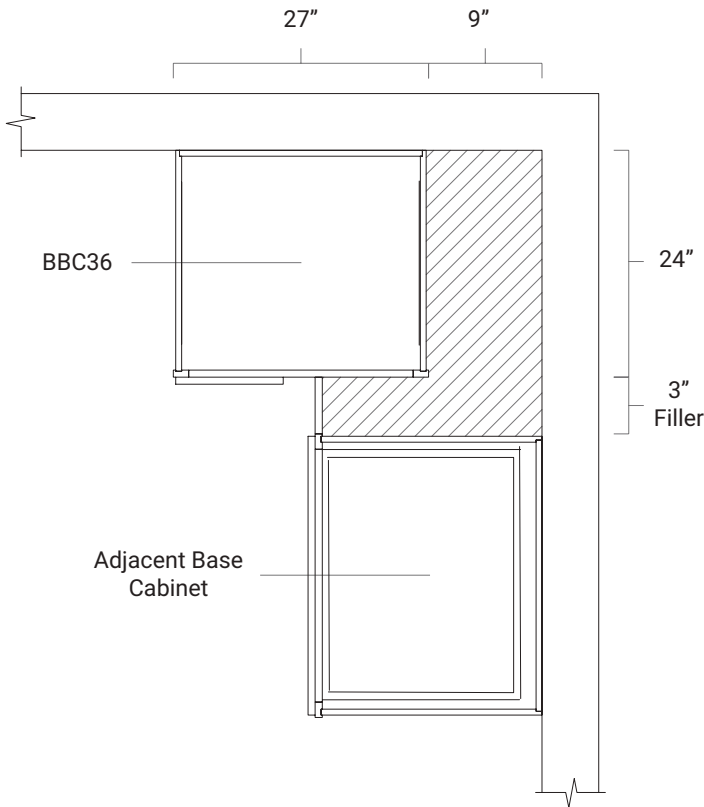
### Base Blind Corner

Order Code: **BBC36**

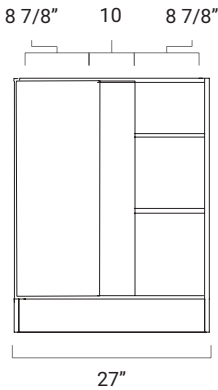
- One adjustable shelf
- Door and drawer can be flipped for left or right application
- Hinges are located on the center stile of the face frame and can be flipped as necessary
- Same size door, drawer, and door opening as **BT9**.



INSTALLATION DIAGRAM (BBC39 SHOWN)



FACE FRAME OPENING DIMENSIONS

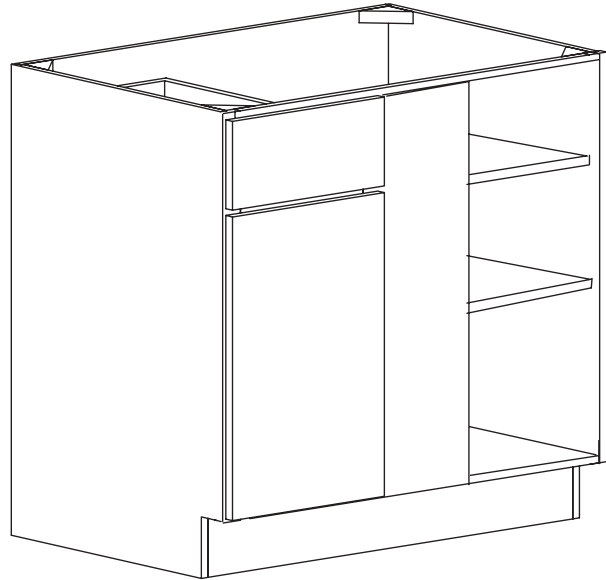


# BASE CABINETS

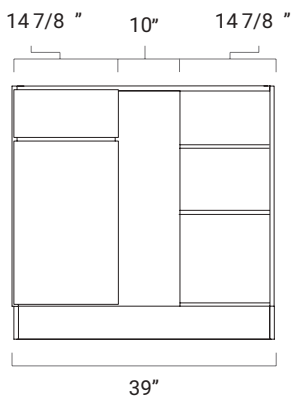
## Base Blind Corner

Order Code: **BBC42**

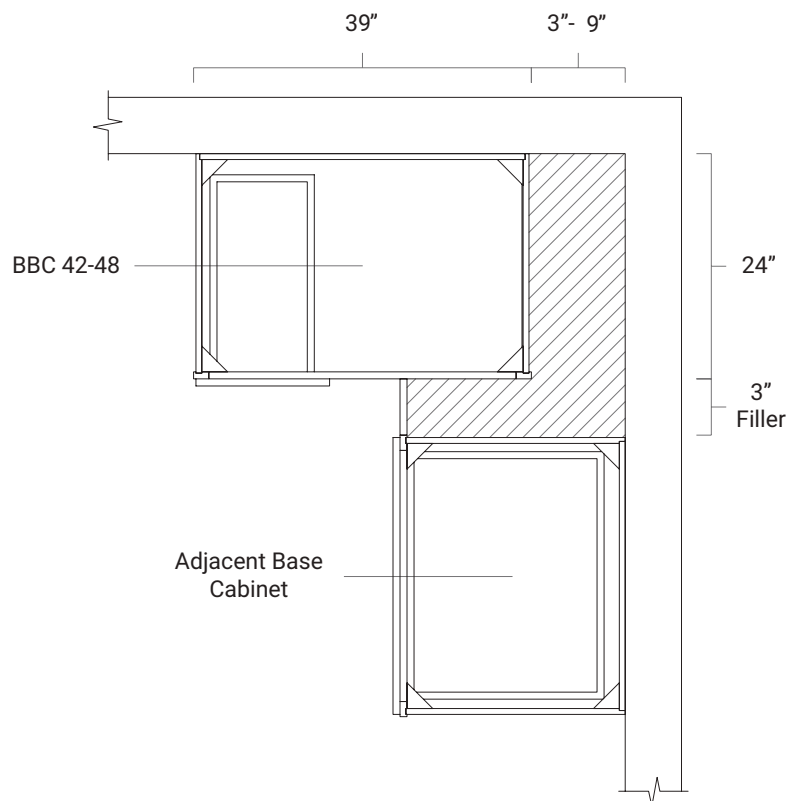
- One adjustable shelf
- Cabinet is 39" wide and must be pulled a minimum of 3" or a maximum of 9" from adjacent wall
- Door and drawer can be flipped for left or right application
- Hinges are located on the center stile of the face frame and can be flipped as necessary
- Same size door, drawer, and opening as **B15**



FACE FRAME  
OPENING DIMENSIONS



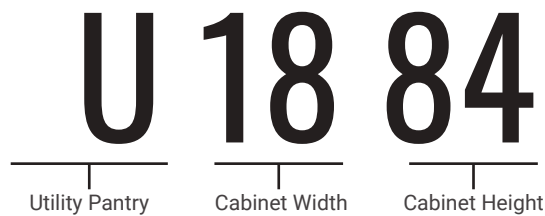
INSTALLATION DIAGRAM



Can be pulled a minimum of 42" to a maximum of 48"  
We suggest to pull only up to 45"  
Minimum and maximum pull includes cabinet width

## CABINET IDENTIFICATION

The letter or letters represent the type of cabinet, the first set of numbers represent the width of the cabinet, and the second set of numbers represents the height of the cabinet.



## ORDER CODING

All tall cabinet order coding begins with door order code.

Example: **GW U1884**

## SPECIAL NOTE

- Tall cabinets are 24" deep
- \* Our tall pantry is divided into BOTTOM&UPPER two portions, height of bottom portion is fixed at 54"

## AVAILABILITY KEY

●	Indicates availability
○	Indicates no availability

# TALL CABINETS

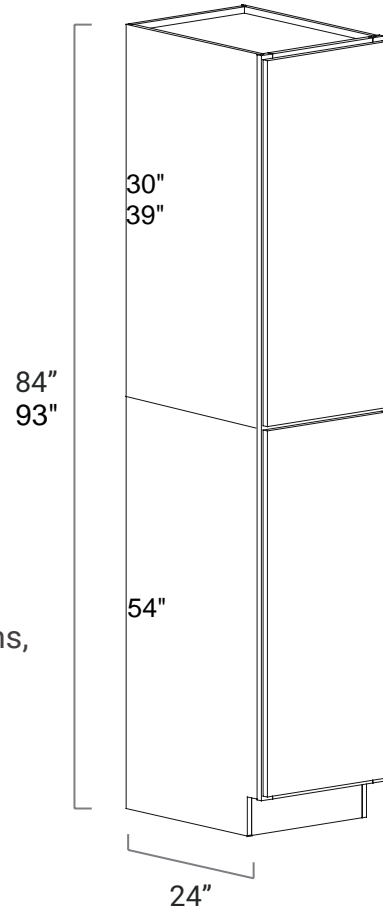
## Utility Pantry Single Door

Order Code: **U1884 (U1854+U1830)**

**U1893 (U1854+U1839)**

- Accepts 18" rollout trays  
(**RS18** pg. 54) (ordered separately)
- Apply the SCR or BAM or USV2496 to cover the seam.

\* Our tall pantry is divided into LOWER&UPPER two portions, height of bottom portion is fixed at 54"



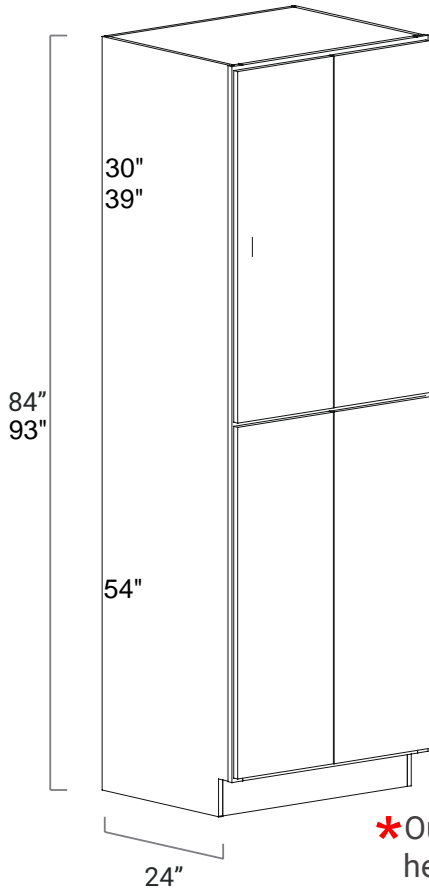
SKU	UPPER HEIGHTS	# OF SHELVES IN UPPER	# OF SHELVES IN LOWER
UP1884	30"	TWO	THREE
UP1893	39"	TWO	THREE

### NOTES\*

•By Stacking different upper portion of pantry, you can creat a pantry with unusal heights

For Example : **U1874 (U1839+U1830+TKC)**

**U18104 (U1839+U1830+U1830+TKC)**



## Utility Pantry Double Door

Order Code: **U2484(U2454+U2430)**  
**U2493(U2454+U2439)**  
**U3084(U3054+U3030)**  
**U3093(U3054+U3039)**

- 24" wide pantries accept 24" rollout trays (**ROT24**)
- 30" wide pantries accept 30" rollout trays (**ROT30**)
- Apply the SCR or BAM or USV2496 to cover the seam.

\* Our tall pantry is divided into LOWER&UPPER two portions, height of bottom portion is fixed at 54"

SKU	UPPER HEIGHTS	# OF SHELVES IN UPPER	# OF SHELVES IN LOWER
U2484	30"	TWO	THREE
U2493	39"	TWO	THREE
U3084	30"	TWO	THREE
U3093	39"	TWO	THREE

### \* NOTES

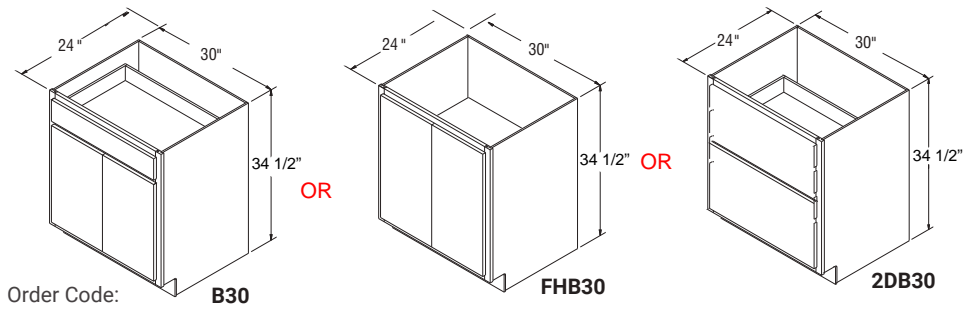
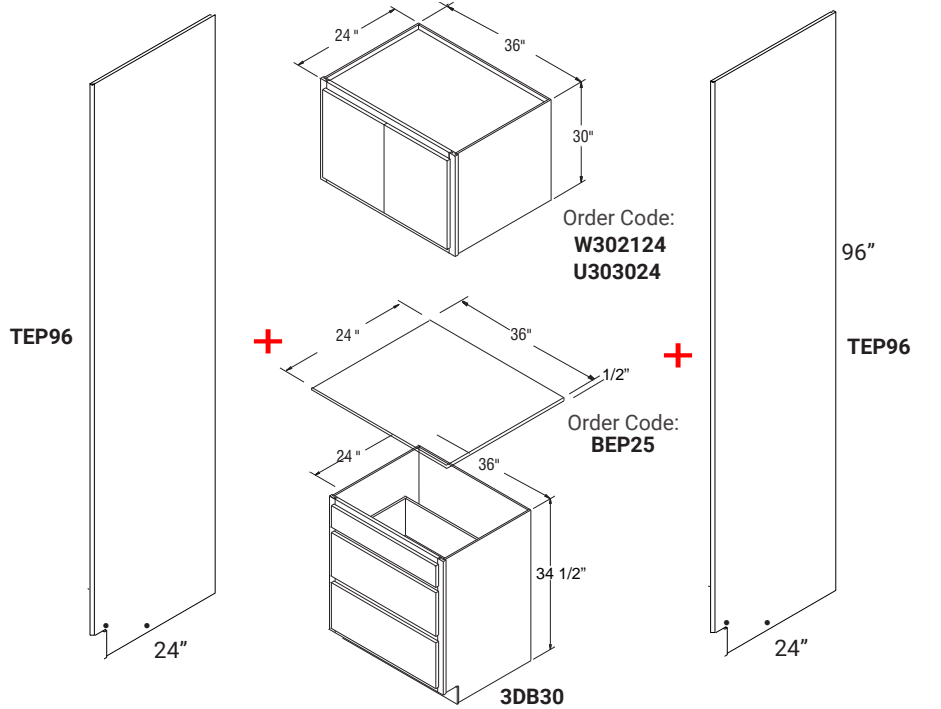
•By Stacking different upper portion of pantry, you can creat a pantry with unusal heights

For Example : **U2474 (U2439+U2430+TKC)**

**U30104 (U3039+U3030+U3030+TKC)**



# 31.5" Stacked Oven Pantry

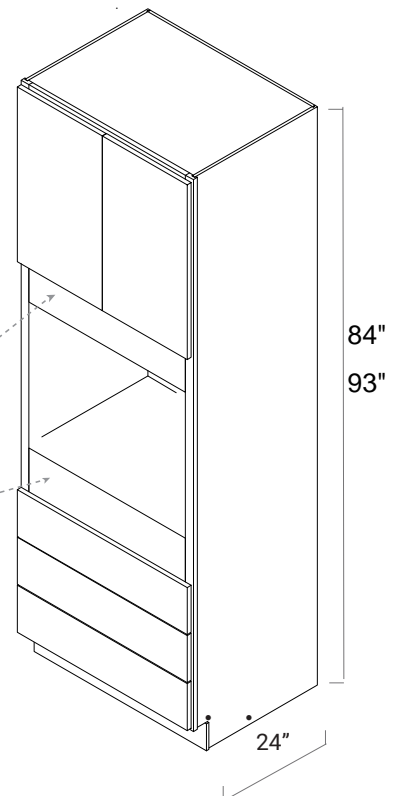


Order Code: **O3184 (3DB30+BEP25+W302124+TEP96X2)**

**O3393 (3DB30+BEP25+U303024+TEP96X2)**

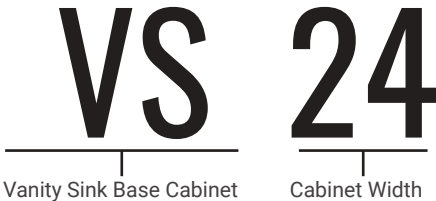


\* Filler will be needed for better looking

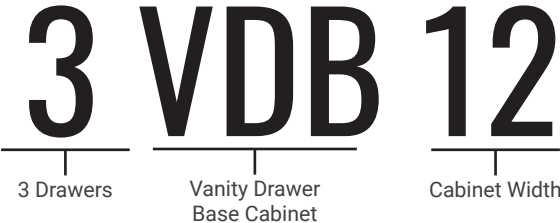


### CABINET IDENTIFICATION

The letter or letters represent the name of the cabinet, and the following set of numbers represents the width of the cabinet.



Whenever a bath cabinet has all drawers and no doors, also known as a drawer base, the cabinet coding will start with a number. This represents the number of drawers the cabinet has.



### ORDER CODING

All bath cabinet order coding begins with the door order code.

Example: **GG VS30**

### SPECIAL NOTES

\* Bath cabinetry is 34 1/2" high and 21" deep

### AVAILABILITY KEY

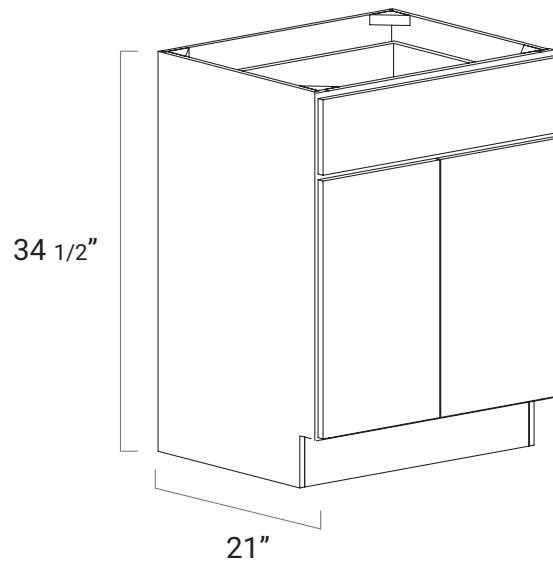
●	Indicates availability
○	Indicates no availability

## BATH CABINETS

### Vanity Sink Base with 2doors

Order Code: **VS24**  
**VS27**  
**VS30**  
**VS33**  
**VS36**

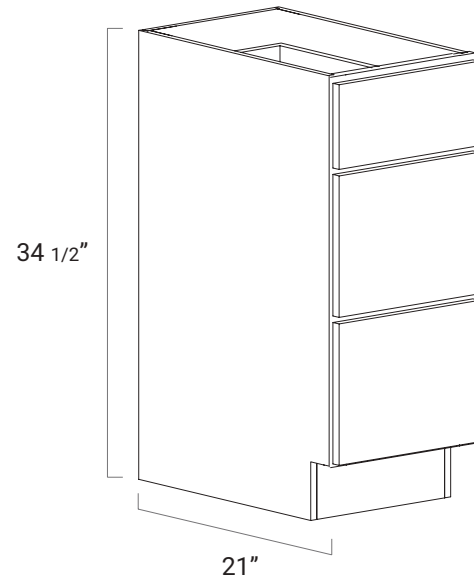
- No shelf
- For single bowl installation only
- Two doors
- Top drawer is a false door front



### Vanity Drawer Base Three Drawer

Order Code: **3VDB12**  
**3VDB15**  
**3VDB18**  
**3VDB21**  
**3VDB24**

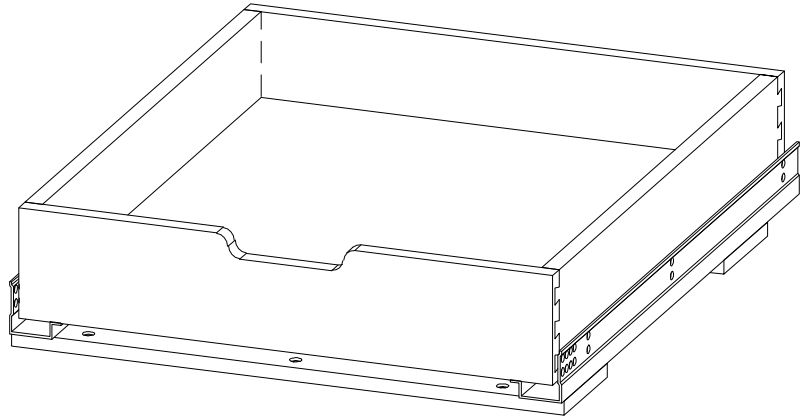
- Two deep drawers
- Top drawer aligns with standard base cabinetry



## Vanity Roll Out

Order Code: **SBROXX**

- Pre-assembled, Hand Polished
- 3/4" thick, solid wood
- Under Mount Rail

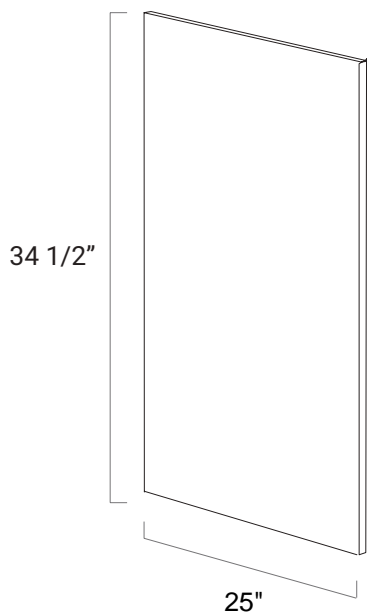


Model No.	Net Width ( W1)	Width with Rail ( W2)
SY-SBR024	20" (508mm)	20-5/8" (524mm)
SY-SBR027	23" (584mm)	23-5/8" (600mm)
SY-SBR030	26" (660mm)	26-5/8" (676mm)
SY-SBR033	29" (736mm)	29-5/8" (752mm)
SY-SBR036	32" (812mm)	32-5/8" (828mm)

## ORDER CODING

All panel and skin order coding begins with door order code.

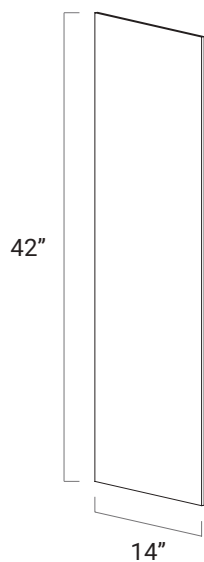
Example: **GG BEP25**



### Base End Panel

Order Code: **BEP25**

- 3/4" thick, veneered plywood panel, finished on both sides
- Can be used as **Dishwasher End Panel**
- Can be trimmed down to accommodate the wall



### Wall End Panel

Order Code: **WEP1442**

- 1/4" thick
- One finished side
- Intended for skinning sides of wall cabinetry
- Cut width and height to fit
- Used to make sure side of cabinet is flush with frame

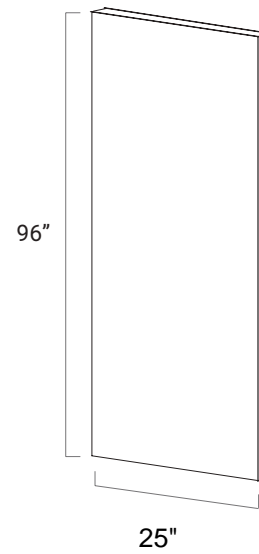
(\*) For stained finish, construction is either veneered plywood or MDF core. For painted finish, construction is MDF core.

## PANELS AND SKINS

### Tall End Panel

Order Code: **TEP2596**

- 3/4" thick
- Both sides finished and edgebanded
- Intended for skinning exposed backs of peninsulas, islands, and other design applications

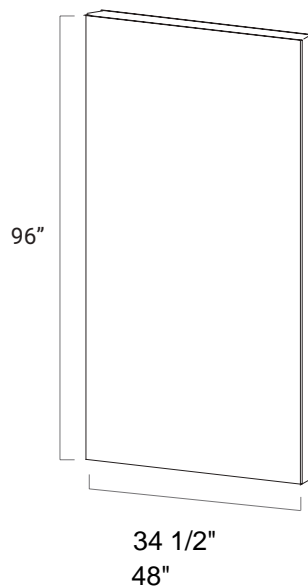


Refrigerator panels can be cut to fit in the field and used as a shelving solution for many design situations.

### Island Panel

Order Code: **IP3596**  
**IP4896**

- 3/4" thick, Both sides finished and edgebanded



ORDER CODING

All molding and trim order coding begins with door order code.

Example: **GG TKC**

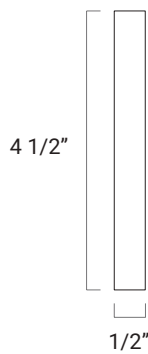
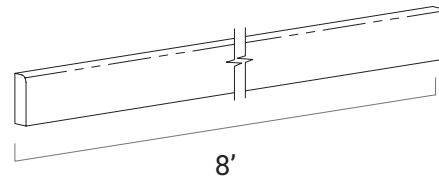
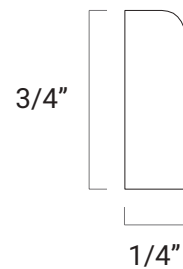
MOLDING CONSTRUCTION KEY

Solid wood

Scribe Molding

Order Code: **SCR**

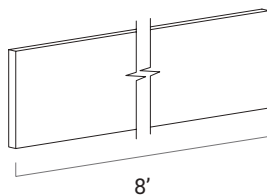
- Solid wood
- Molding comes in a single 8' piece



Toe Kick

Order Code: **TKC**

- 1/2" thick, veneered plywood
- Molding comes in a single 8' piece

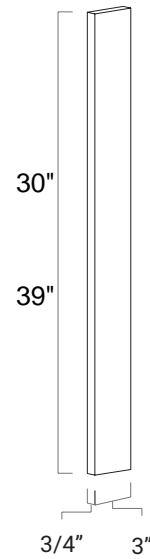


## MOLDING AND TRIM

### 3" Wall Filler

Order Code: **WF342**

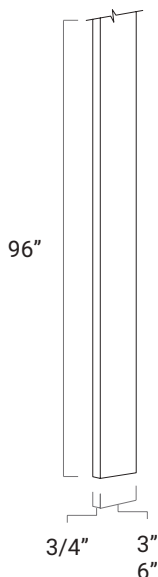
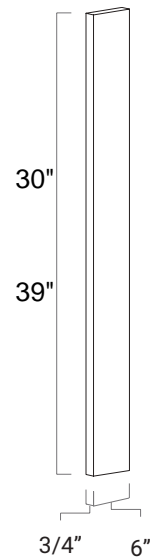
- Solid wood
- Also used as wall and tall filler
- Finished on all sides



### 6" Wall Filler

Order Code: **WF642**

- 3/4" thick solid wood
- Finished front and sides
- Cut width/height to fit as necessary



### Tall Filler

Order Code: **TF396**  
**TF696**

- 3/4" thick solid wood
- Finished front and sides
- Cut width/height to fit as necessary
- Must be used with full overlay door to prevent doors and hardware from binding on adjacent walls, deeper adjacent cabinetry, or corner applications

*Can be used as starter molding to build crown to the ceiling.*







## Roll outs

### ORDER CODING

Example: **ROT 30**

### SPECIAL NOTE

- Sold separately from cabinets

## Roll Out Tray

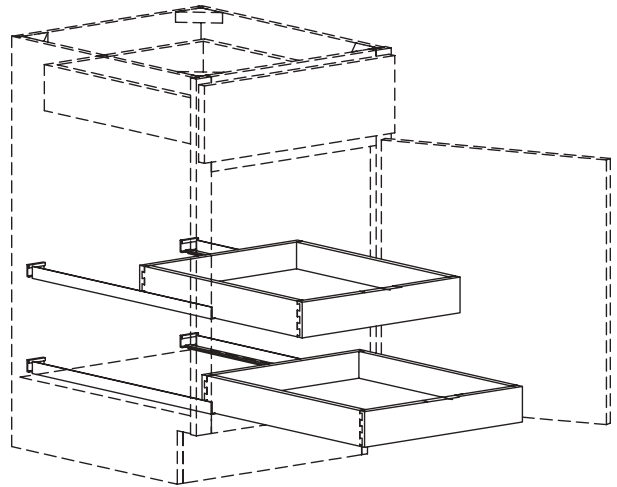
Order Code:

**ROT18**

**ROT21**  
**ROT27**  
**ROT33**

**ROT24**  
**ROT30**  
**ROT36**

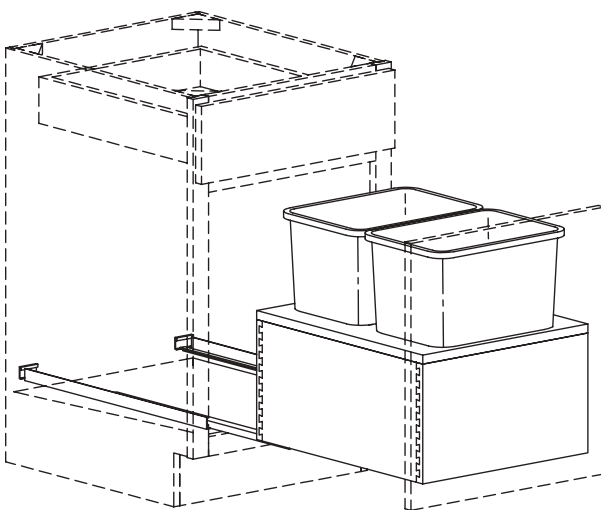
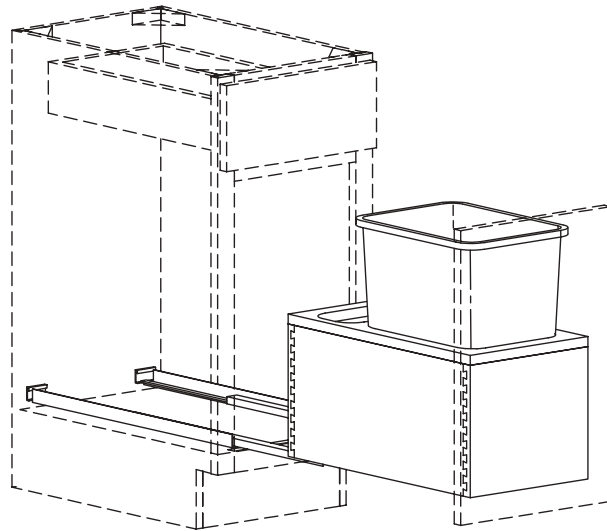
- Solid wood, dovetail construction
- 2 1/2" high sides
- Sidemount, full extension glides
- For 24" deep cabinets



## Trash Pull Out Single Standard Base

Order Code: **BTP015**

- Solid wood, dovetail base support
- Undermount, full extension glides with soft close
- Comes with one 35 quart waste container
- Can be fitted in B15



## Trash Pull Out Double Standard Base

Order Code: **BTP018**

- Solid wood, dovetail base support
- Undermount, full extension glides with soft close
- Comes with two 30 quart waste containers
- Can be fitted in B18

**HARDWARE** • Sold separately from cabinets

## Bar Pull

Order Code: **AC-H625**



**Stainless Steel Bar Pull**

LENGTH	WIDTH	PROJECTION	CTC	QTY.
6 1/8"	1/2"	1 3/8"	3 3/4"	25

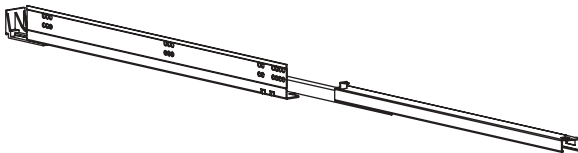
## 6-Way Adjustable, Soft Close Hinge

Order Code: **AC-**

- Built-in, soft close feature

## Soft Close, Undermount Glide Pair

Order Code: **AC-RAIL15**  
**AC-RAIL18**  
**AC-RAIL21**



- Full extension
- Undermount
- Soft close
- Numbers indicate cabinet depth not glide depth

## How to Clean Your Cabinets

The finish on Sandi Cabinet cabinetry is just like that of a high quality piece of furniture. Although it is designed to protect against normal, every day home use, general upkeep, and cleanliness are very important. With proper care, your cabinetry will look great for generations to come.

### Dusting

Dust your cabinets frequently with a soft, lint-free cloth. If need be, slightly dampen the cloth with water or a spray-type dust remover.

### Spills

Clean spills and splatters immediately. Prolonged exposure to spills, including food, water, oil, grease, and other liquids, can cause permanent discoloration and/or damage to your cabinet's finish. To clean spills, use a clean, soft cloth dampened with mild soap. Dry immediately with another clean, soft cloth.

### Cleaning

Use a clean, soft cloth dampened with mild soap to clean your cabinets. Dry immediately with another clean, soft cloth. There are also a variety of wood cleaning products available for use on cabinetry.

### Waxing & Polishing

Waxing your cabinets is not required or recommended. Over time, the wax will build up on the surface of the cabinet. This can cause a hazy, streaky, or yellowed appearance, as well as attract dust particles. The wax can become very difficult to remove. We recommend that you clean and polish your cabinets once or twice each year. To polish your cabinets, use a light coat of quality furniture polish.

### Glass Doors

If you have glass panels installed in your cabinet doors, you will want to clean them periodically. To clean the glass, you can use any commercial glass cleaner. Never apply glass cleaner directly to the glass. Spray a small amount of cleaner onto a clean, soft cloth or paper towel, then wipe the glass. Be careful not to damage the cabinet finish or hardware while cleaning.

### Hardware

You will want to periodically clean knobs, pulls, or handles installed on your cabinet doors/drawers. To do so, use a clean, soft cloth dampened with mild soap. Thoroughly dry all hardware joints, surfaces, and the surrounding area with another clean, soft cloth.

### Products to Avoid

- Harsh chemicals
- Solvents or petroleum-based products, such as mineral spirits, nail polish removers, or paint thinners
- Abrasive cleaning products
- Ammonia or cleaning products that may contain ammonia
- Bleach or cleaning products that may contain bleach

# CLEANING, CARE, AND MAINTENANCE

## How to Care for Your Cabinets

### Self-Cleaning Appliances

Self-cleaning appliances use intense heat during the clean cycle. During installation and with age, the integrity of the seal or gasket on the appliance can be compromised. Because of this, Sandi Cabinet recommends the removal of any cabinet doors and/or drawers located adjacent to or directly above the appliance during a cleaning cycle.

### Heat-Producing Appliances

Mounting or placing heat-producing appliances beneath cabinets is not recommended. The excess heat and moisture from appliances, such as coffee makers and toaster ovens, can damage your cabinets.

### UV Effects

Ultraviolet light rays from natural sunlight can affect the appearance of your cabinets. The appearance of your cabinet(s) may change over time depending on the natural characteristics of wood and the applied finish, the amount/direction of light exposure, and the portion of the cabinet that receives light.

## Cabinet Maintenance

No matter how careful you are with your cabinetry, normal wear and tear from everyday use is inevitable. This is why Sandi Cabinet has made it easier than ever to keep your cabinets looking brand new.

### Touch-Up

We offer touch-up markers and fill sticks that have been specially formulated for each of our high-quality cabinet finishes. Your Sandi Cabinet design professional can assist you in how to order and how to use these products.

**NOTE:** *Substantial repairs may require the help of a professional refinisher.*

### Adjusting Your Cabinetry Hardware

Over time, the door hinges, soft close pistons, drawer glides, and decorative hardware on your cabinetry may need to be tightened or adjusted. All of our hardware has been designed to be easily adjusted with a Phillips-head (crosshead) screwdriver. Soft close pistons are adjusted by simply turning the small dial on the backside of the piston with your finger.

# PRODUCT AND FINISH INFORMATION

Because we use real wood in our products, there are certain characteristics and qualities with which you may not be familiar. Because your satisfaction is our number one priority, we want to make sure you are fully aware of the important information listed below regarding our cabinetry and the applied finish.

## Expansion & Contraction

Because half of the weight of freshly cut wood is water, these natural properties are such that they can react to climate or humidity changes in your home. Sandi Cabinet doors and face frames are manufactured from solid wood that has been carefully kiln-dried, retaining just enough moisture for proper construction and finishing. The center panels of the Sandi Cabinet doors are either wood or medium density fibreboard. As a product of nature, solid hardwoods continue to react to their surroundings long after the manufacturing process has been completed. When wood cabinet doors are in a warm, moist environment (high humidity), the wood expands. In a dry, colder environment (low humidity), the wood will contract. Even with humidity regulation, this phenomenon can be controlled, but it can never be completely eliminated.

Door panels are prone to minor expansion and contraction as seasonal temperature and humidity changes occur in a home. The contraction (shrinkage) of the center door panel during low humidity periods may result in the appearance of an unfinished line along the edge of the center panel. Sandi Cabinet does not consider the appearance of an unfinished line as a defect and will not replace doors due to this situation. It is recommended that a humidity control system is incorporated in a home to reduce the possibility of expansion and contraction in wood products. Touch-up markers are made available to cover this edge line. Oftentimes, touch-up for this issue may only be necessary within the first year.

**Sandi Cabinet is not responsible for any of these conditions and variations.**

## Finishes

Over time, wood species in all finishes will exhibit color changes when exposed to different types of light and environment. Such color changes are to be expected and are not defects. Due to the natural variation and aging process of wood, minor differences may be observed in color match when replacing doors or adding cabinets at a later date. It is a characteristic of stained and painted wood finishes to age over time when exposed to smoke, sunlight, or general household cleaning chemicals.

Graining differences, mineral streaks, and wood color variations are expected in wood cabinetry and are not classified as defects. A newly installed kitchen could have these minor color variations.

Sandi Cabinet offers several types of painted finishes on cabinetry. Painted finishes are exceedingly different from the standard stained finish. Since normal movement is typical in wood products, certain climatic conditions can cause finish breaks, recesses, and joint/panel lines. Joint separation can be more visible on mitered doors. Consequently, in places and environments of extremely high or extremely low humidity, painted finishes are not recommended. Joint lines and variations are common attributes of painted finishes and will not be considered sufficient reasons for product replacement.

Some of our products have glaze finishes. Since glaze detailing is hand applied then hand wiped off, glaze may “hang up” or remain in any corners of the door or drawer profile. Because the glaze is a hand applied procedure, detailing can differ from piece to piece.

**NOTE:** *Independent testing has shown that discoloration will develop on doors, drawers, and cabinet parts after continued exposure to tobacco smoke. This is remarkably apparent on white and lighter finishes. We do not warrant discoloration in our products due to exposure to smoke.*

## Joint Lines

Expansion and contraction in doors and face frames can cause visible lines at the joints. The finish will still protect the surface, and the structural integrity of the joint will not be affected. An open joint line is not considered a defect.

# WARRANTY

## I. Description of Warranty

This warranty applies only to the original purchaser and is not transferrable. From the time of purchase, Sandi Cabinet offers an Industrial Standard 2-Years Warranty on all of its cabinetry. In addition to cabinetry, all drawers, shelves, roll out trays, and mechanical components are covered under the warranty as well. In the event that any Sandi Cabinet product fails during the course of normal use, Sandi Cabinet, at its discretion, will either repair or replace the defective product.

Whether the work was performed by a contractor, Sandi Cabinet authorized dealer, or you; any expenses involved in the shipping, removal, installation, or consequent damage of the defective product is not covered under this warranty. This warranty does not apply to products installed in mobile homes or recreational vehicles.

## II. Intended Use of Product

To be covered by this warranty, the product must be used only for its intended purpose(s). Cabinets that have been improperly stored, installed, misused, modified, mishandled, and/or subject to excessive moisture or extreme temperature and humidity levels are not covered under this warranty. In addition, any damage caused by smoking and/or environmental/chemical effects are also not covered under this warranty.

## III. Anticipated Variance in Product

The Sandi Cabinet warranty only applies to product defects and does not apply to properties of natural wood that are inherent in natural wood species. Any time you have a natural wood product, occurrences such as pinholes, knots, and variances in color or grain are normal and are not covered under this warranty.

Because half of the weight of freshly cut wood is water, its natural properties are such that they can react to climate and/or humidity changes in your home. Sandi Cabinet doors and face frames are manufactured from solid wood that has been carefully kiln-dried, retaining just enough moisture for proper construction and finishing. These hardwoods continue to react to their surroundings long after the manufacturing process has been completed. When wood cabinet doors are in a warm, moist environment (high humidity), the wood expands. In a dry, colder environment (low humidity), the wood will contract. Even with humidity regulation, this phenomenon can be controlled, but it can never be completely eliminated.

Door panels may also be prone to this minor expansion and contraction as seasonal temperature and humidity changes occur in your home. The contraction (shrinkage) of the center door panel during periods of low humidity may result in the appearance of an unfinished line along the edge of the center panel. Sandi Cabinet does not consider the appearance of this line as a defect and will not replace doors due to this situation. Touch-up markers are made available to cover this edge line. The installation of a humidity control system is recommended to reduce the possibility of expansion and contraction in wood products.

All Sandi Cabinet doors are manufactured in moisture-controlled environments under precise specifications. Although slight door warpage can be common in one or two doors within a newly installed kitchen, any door that has not been through a complete heating and cooling cycle has the possibility of warping. Slight warpage can be eliminated through hinge adjustments. Any warping that continues to occur should be further examined by removing the door from the cabinet and placing it on a flat surface. Hinge spacers are available through your authorized Sandi Cabinet dealer in cases where the



warping cannot be eliminated through hinge adjustments. If warping cannot be eliminated through hinge adjustments or the use of hinge spacers, and if the doors have been through a complete heating and cooling cycle, and if all of the cabinets are true and plumb; then Sandi Cabinet will consider replacement.

As mentioned above, normal movement in wood products is typical. In addition to issues listed above, climate conditions can cause finish breaks, recesses, and joint/panel lines. An open joint line is not considered a defect and is not covered under this warranty.

#### **IV. Product Repair or Replacement**

Throughout the duration of the warranty period, Sandi Cabinet's sole obligation is to repair or replace any defective product at no charge. This warranty only applies to cabinets and affiliated products sold by Sandi Cabinet offered through an authorized Sandi Cabinet dealer. In the event that a claim is filed after the original product has been discontinued or cancelled, Sandi Cabinet will honor the warranty, at its discretion, subject to the availability of the product, by either:

- Repairing or replacing the defective product with a new product of the same style
- OR**
- Repairing or replacing the defective product with a product of equal value and complementary style in order to maintain the appearance of the original cabinetry purchase.

***An exact match between the finish of the original purchased product and the replacement or repaired product is not guaranteed.***

#### **V. Rights of Consumer**

There are no other warranties, disclosed or indicated, associated with this product. This document serves as a description of the consumer's definitive legal rights within the transaction and is the exclusive warranty of Sandi Cabinet. The exclusion or partial limitation of contingent or substantial damages is not permissible in some states. The consumer may also have further rights from state-to-state which are not cited in this warranty.

#### **VI. Submission of a Claim**

All claims must be submitted to the authorized Sandi Cabinet dealer where the cabinets were originally purchased. Claims are to be submitted in writing. Every claim must include a dated copy of the original sales receipt as proof of purchase. Unless and until the product is specifically requested by the Sandi Cabinet Claims Department, please do not send the defective item(s).

