



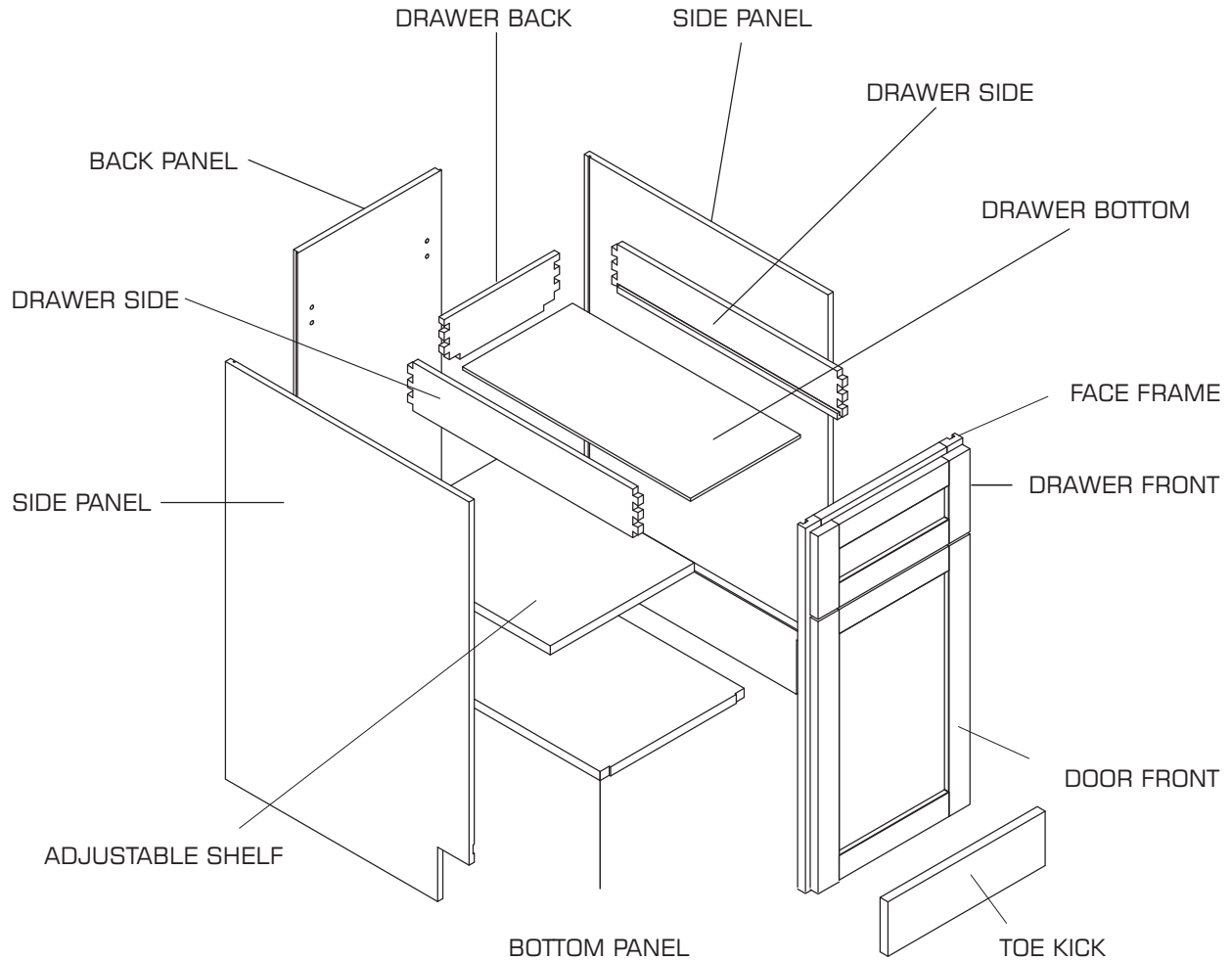
**CABINET ASSEMBLY INSTRUCTIONS**

# TABLE OF CONTENTS

<b>Assembling Instructions - Base Cabinet</b>	<b>3-6</b>
<b>Assembling Instructions - Lazy Susan Corner Base Cabinet</b>	<b>7-12</b>
<b>Assembling Instructions - Blind Corner Base Cabinet</b>	<b>13-18</b>
<b>Assembling Instructions - Base 3 Drawers Cabinet</b>	<b>19-24</b>
<b>Assembling Instructions - Wall Cabinet</b>	<b>25-27</b>
<b>Assembling Instructions - Wall Diagonal Corner Cabinet</b>	<b>28-32</b>
<b>Assembling Instructions - Pantry</b>	<b>33-38</b>
<b>Assembling Instructions - Oven Cabinet</b>	<b>39-45</b>
<b>Assembling Instructions - Vanity</b>	<b>46-51</b>

# ASSEMBLING INSTRUCTIONS - BASE CABINET

BASE CABINET



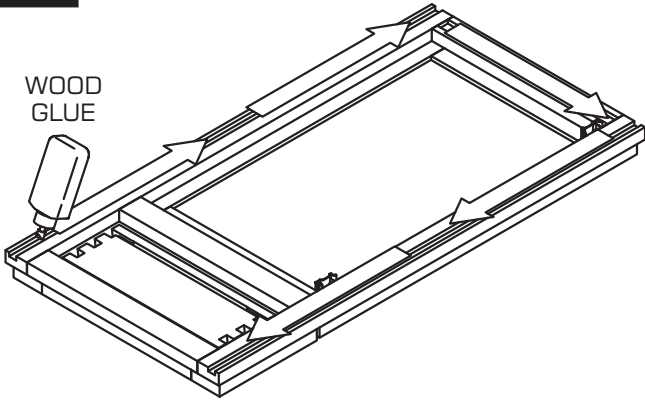
<p>GLIDES</p>	<p>METAL BRACKETS</p>	<p>SCREWS</p>	<p>SHELF CLIPS</p>	<p>GLIDE SUPPORTS</p>
---------------	-----------------------	---------------	--------------------	-----------------------

**TOOLS**

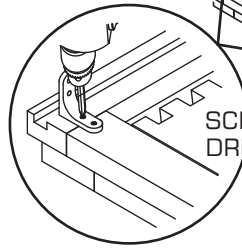
<p>WOOD GLUE</p>	<p>SCREW DRIVER</p>	<p>RUBBER Mallet</p>	<p>NAIL GUN</p>	<p>STAPLER</p>	<p>SPOTNAILS XC1008</p>
------------------	---------------------	----------------------	-----------------	----------------	-------------------------

**STEP 1**

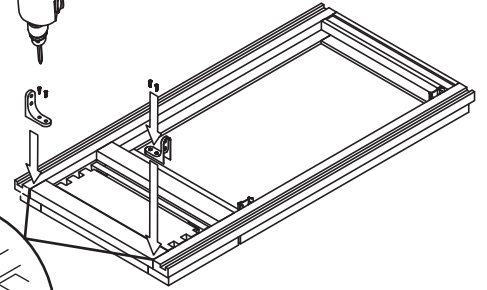
WOOD GLUE



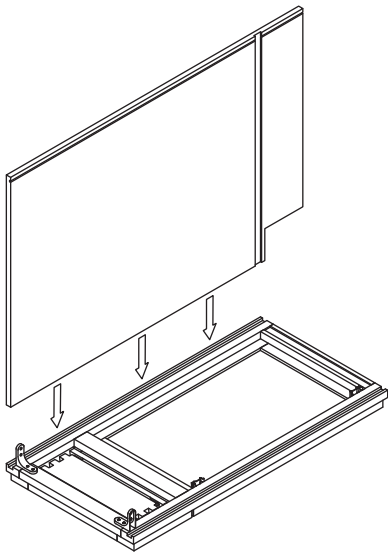
**STEP 2**



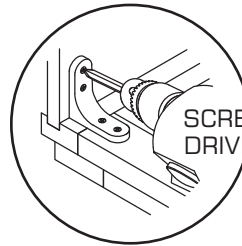
SCREW DRIVER



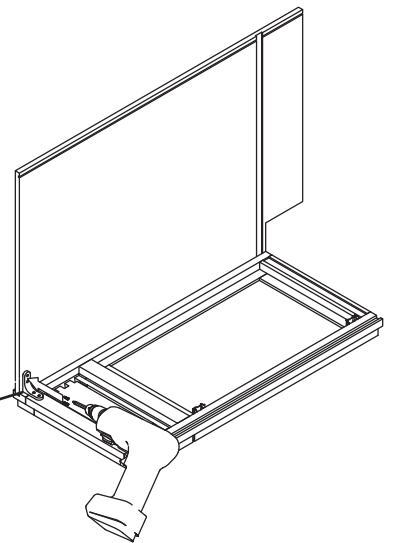
**STEP 3**



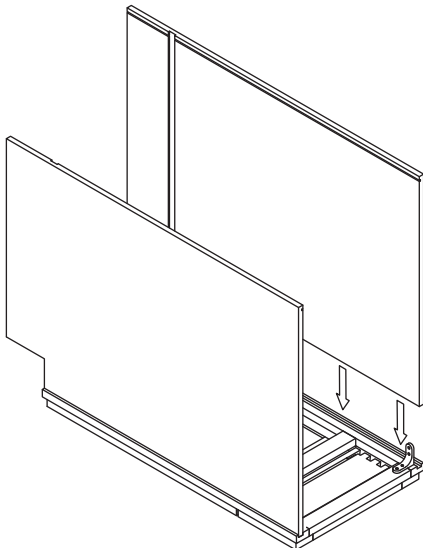
**STEP 4**



SCREW DRIVER

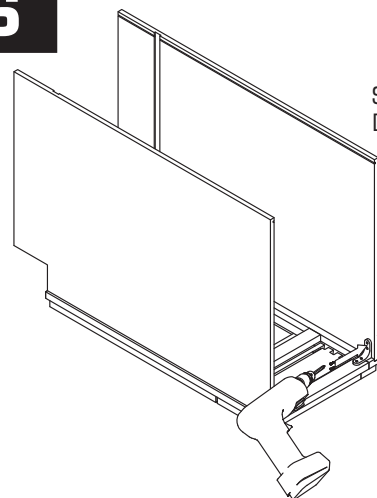
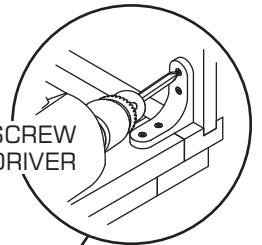


**STEP 5**

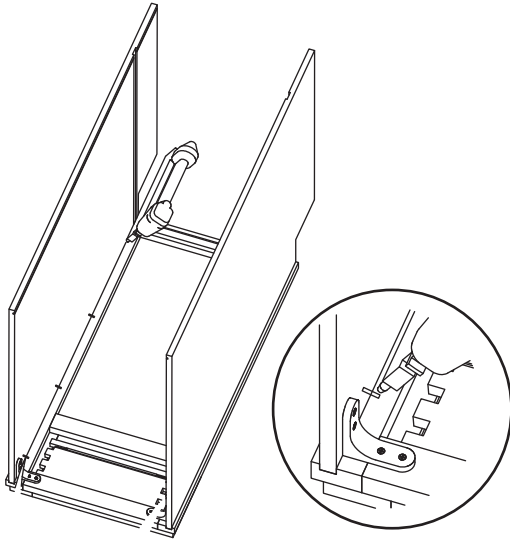


**STEP 6**

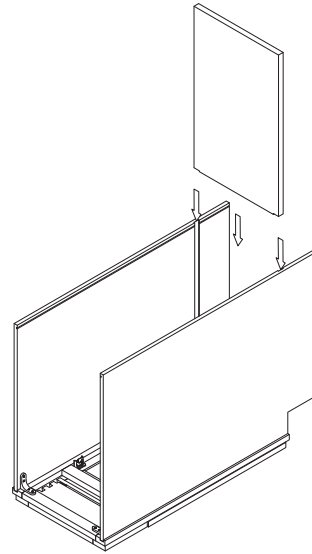
SCREW DRIVER



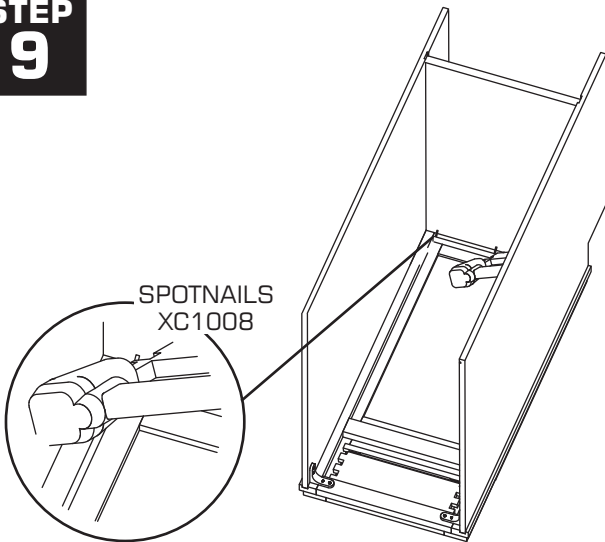
STEP 7



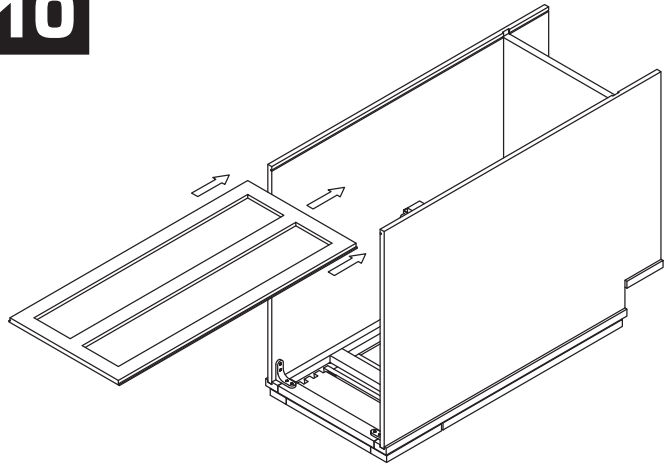
STEP 8



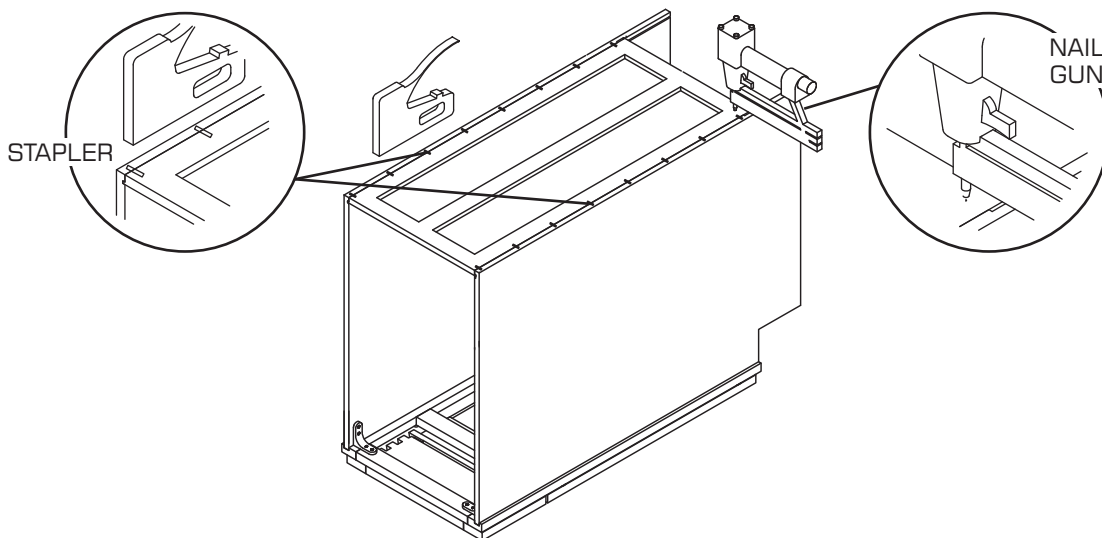
STEP 9



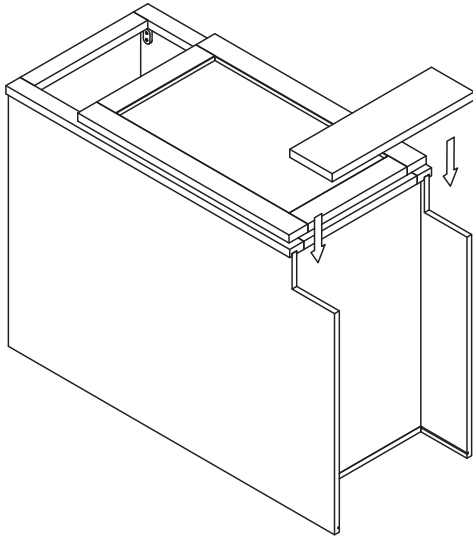
STEP 10



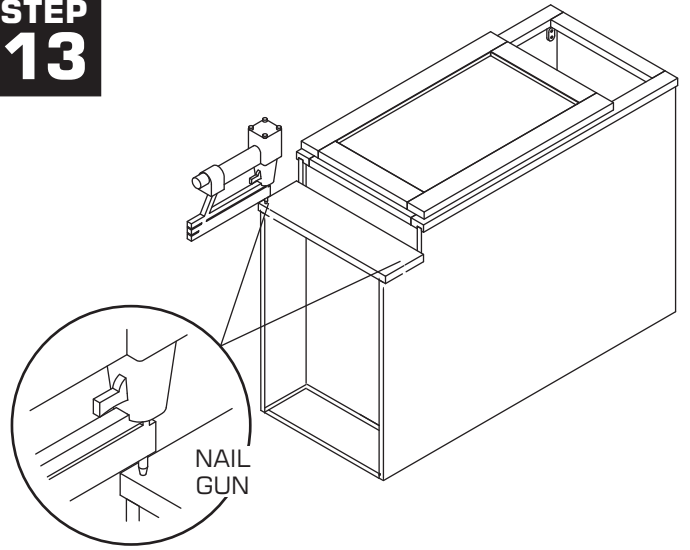
STEP 11



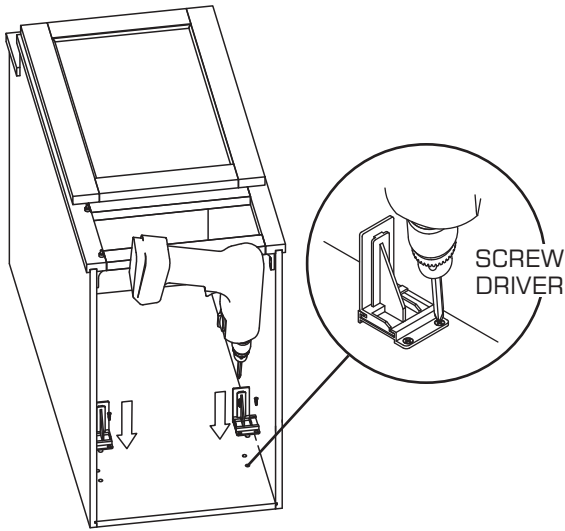
**STEP 12**



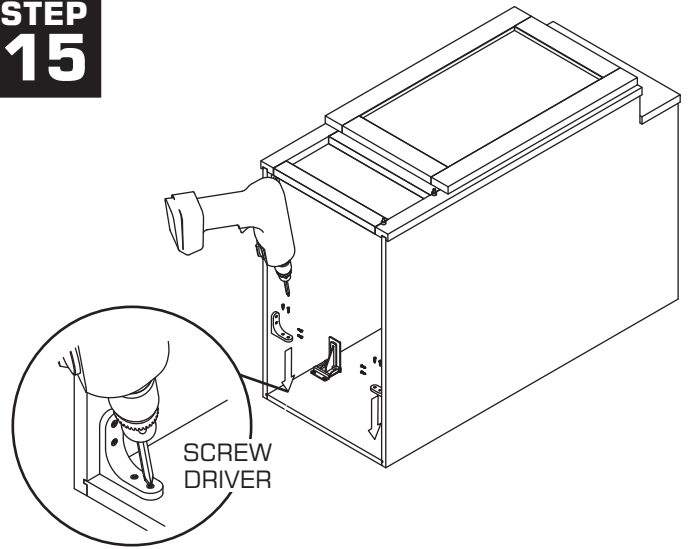
**STEP 13**



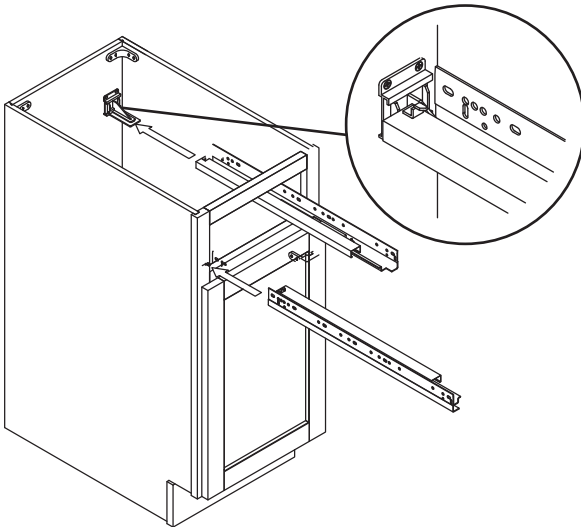
**STEP 14**



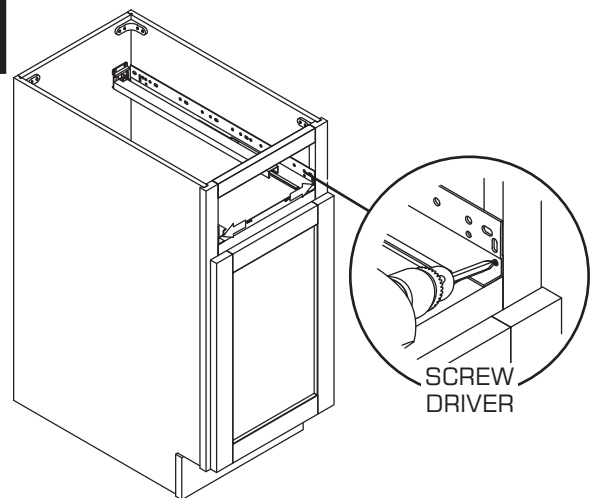
**STEP 15**



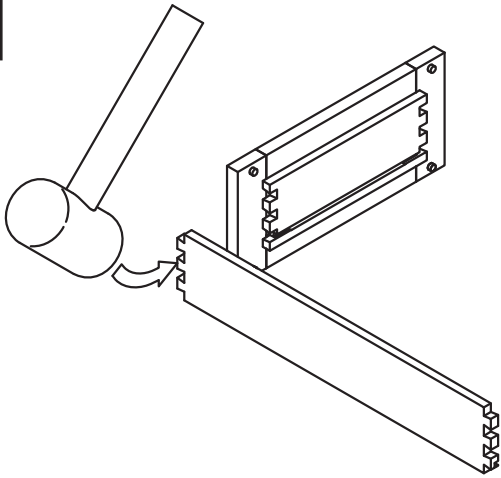
**STEP 16**



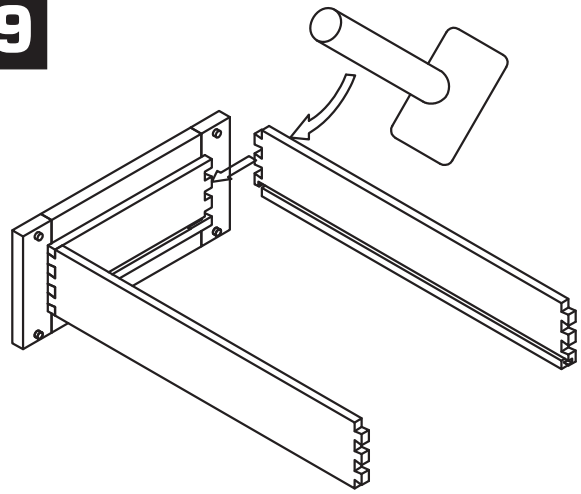
**STEP 17**



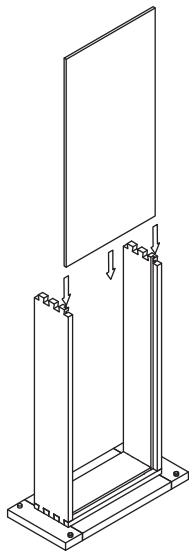
STEP 18



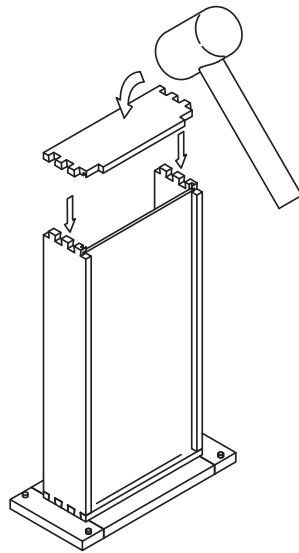
STEP 19



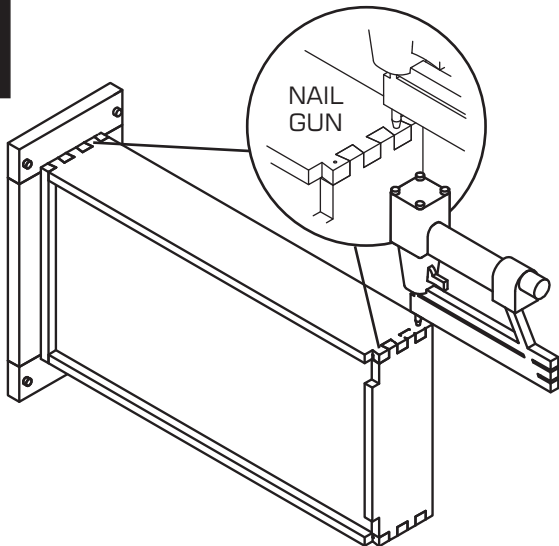
STEP 20



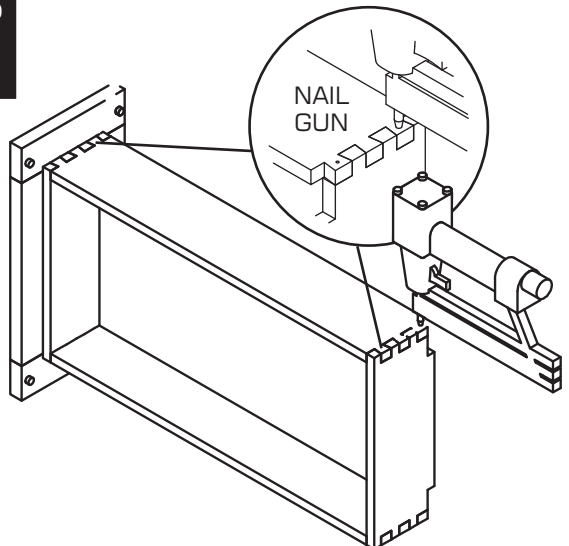
STEP 21



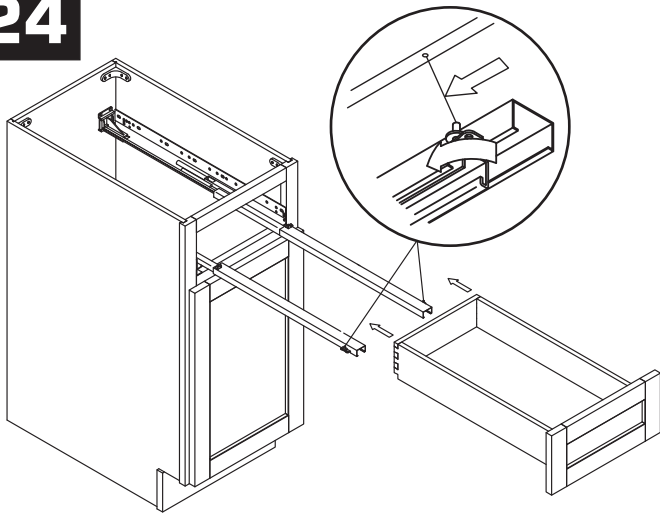
STEP 22



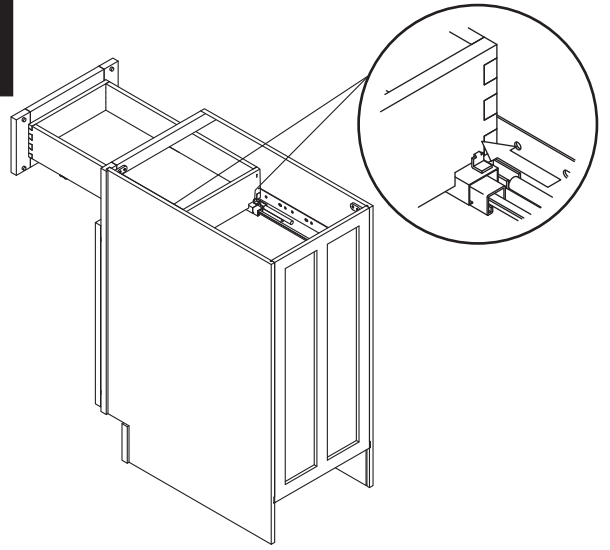
STEP 23



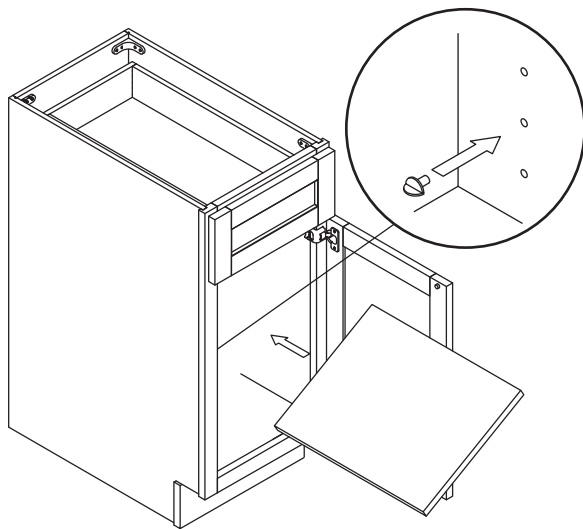
**STEP  
24**



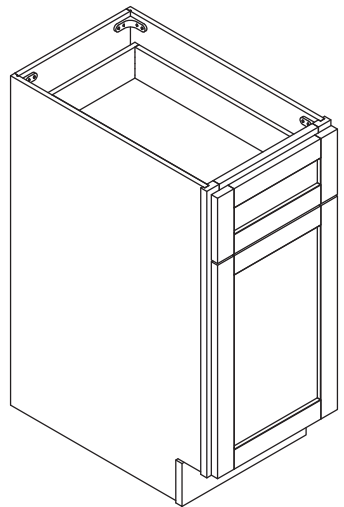
**STEP  
25**



**STEP  
26**



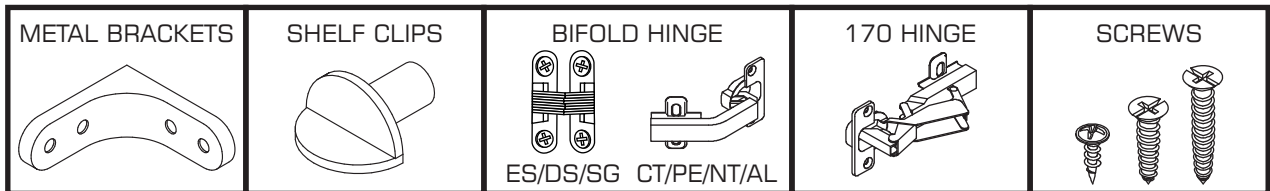
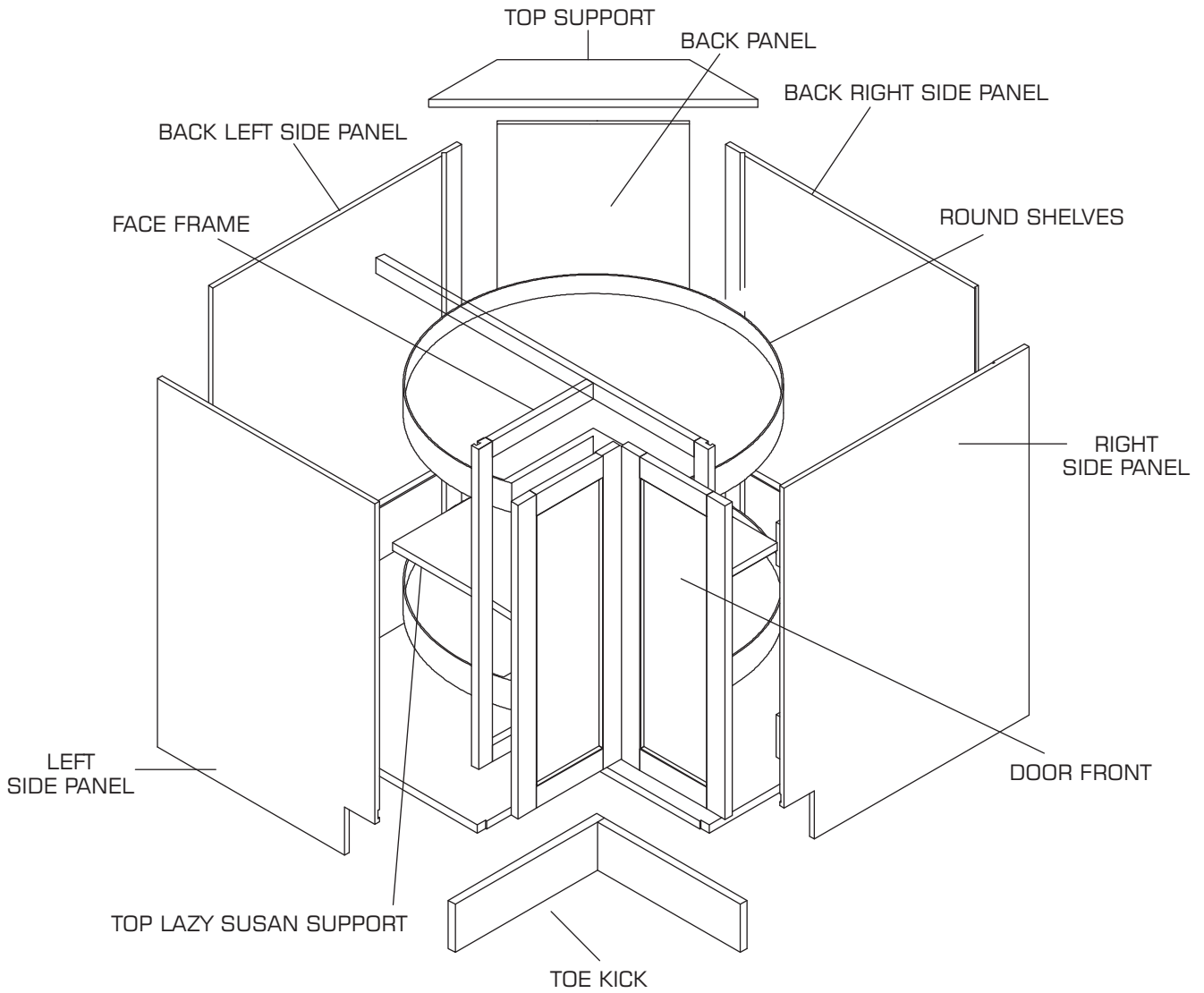
**STEP  
27**



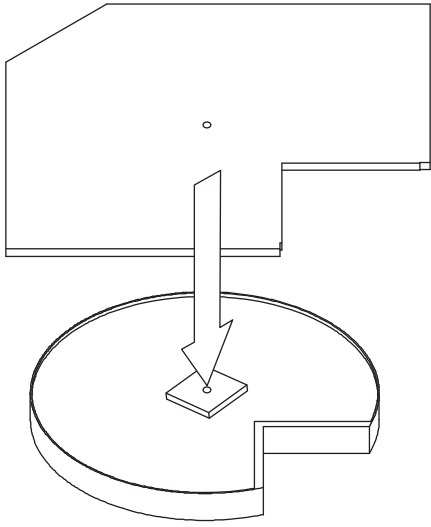
**BASE CABINET**



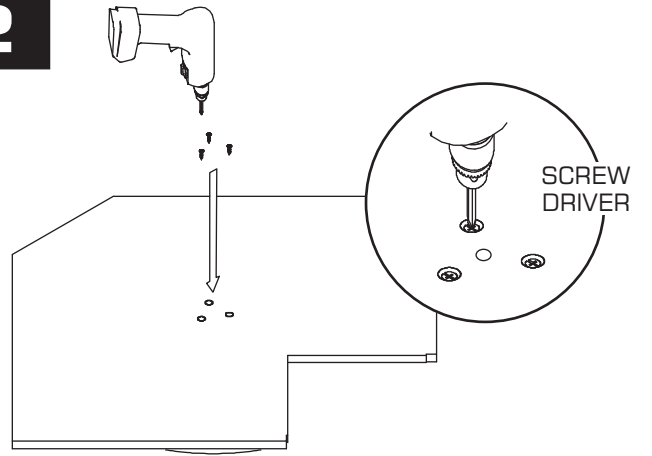
# ASSEMBLING INSTRUCTIONS - LAZY SUSAN CABINET



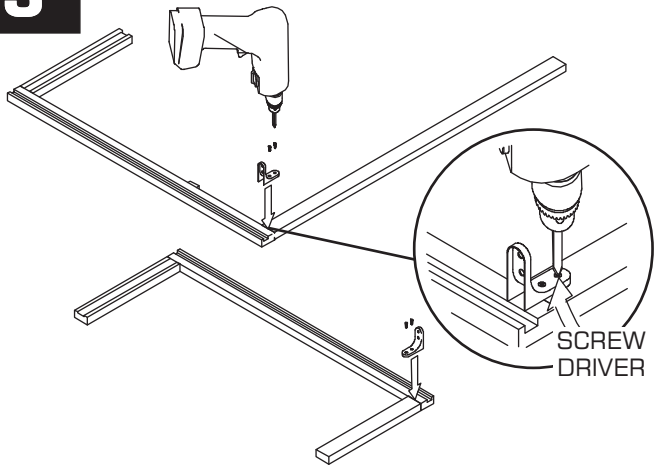
**STEP 1**



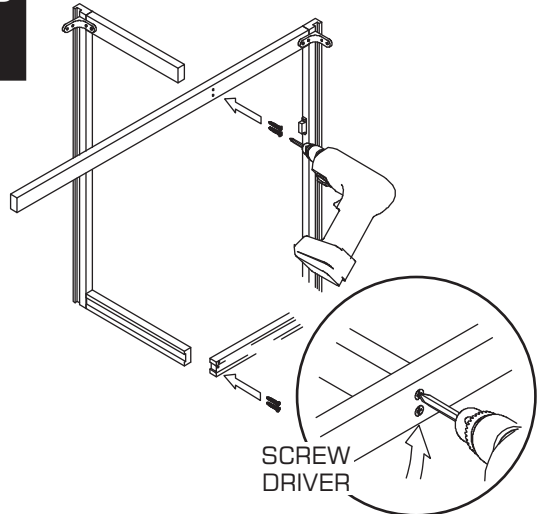
**STEP 2**



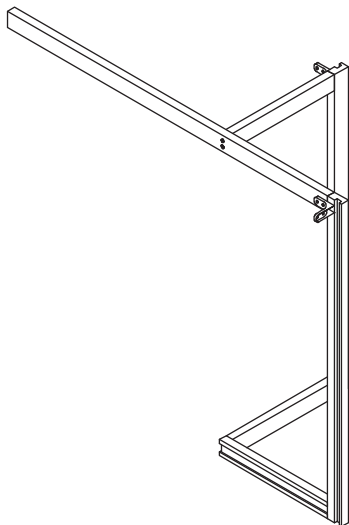
**STEP 3**



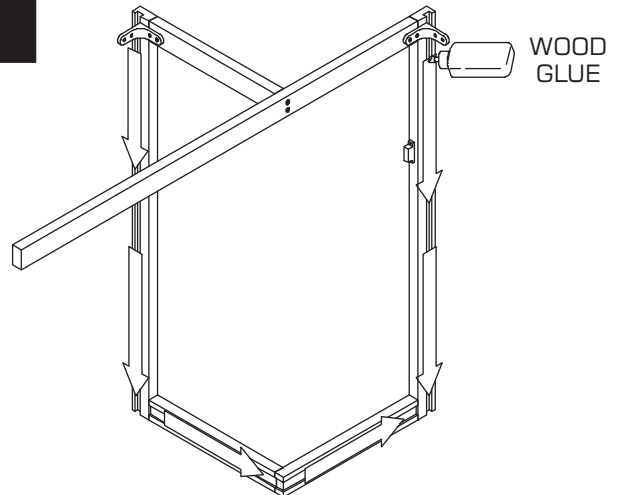
**STEP 4**



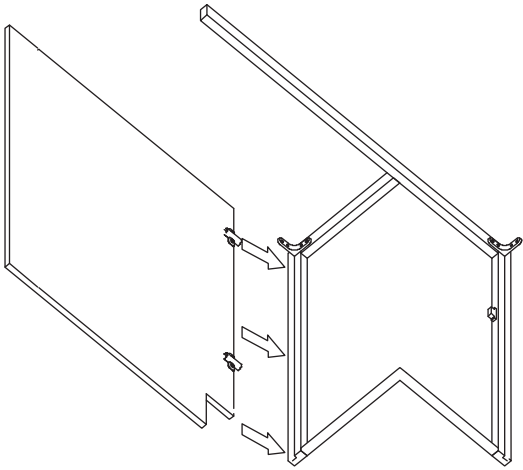
**STEP 5**



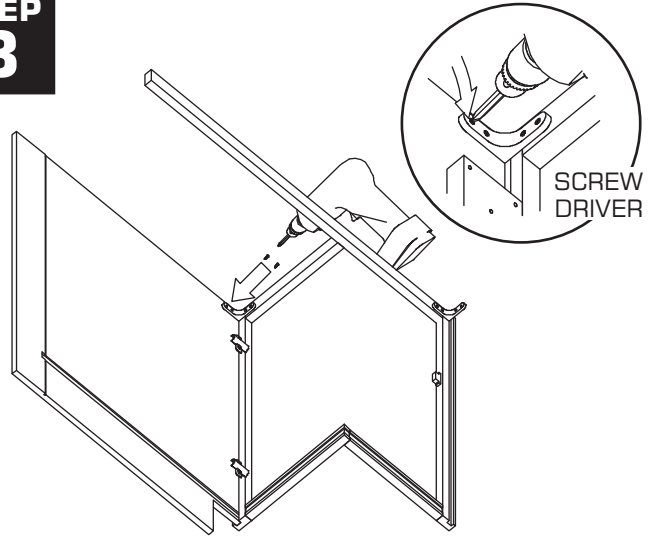
**STEP 6**



**STEP 7**

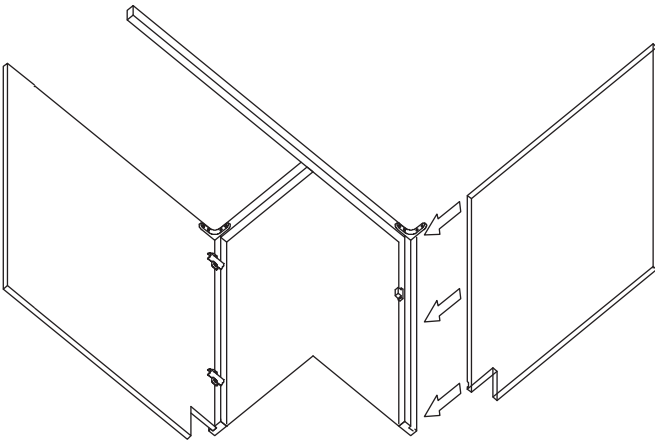


**STEP 8**

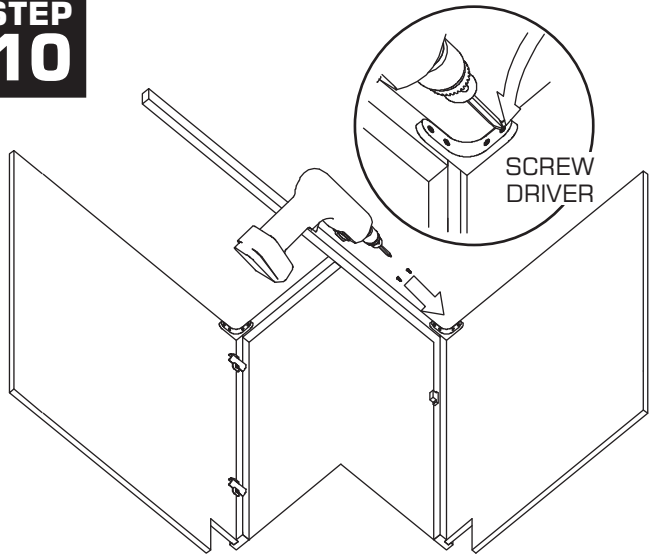


SCREW DRIVER

**STEP 9**

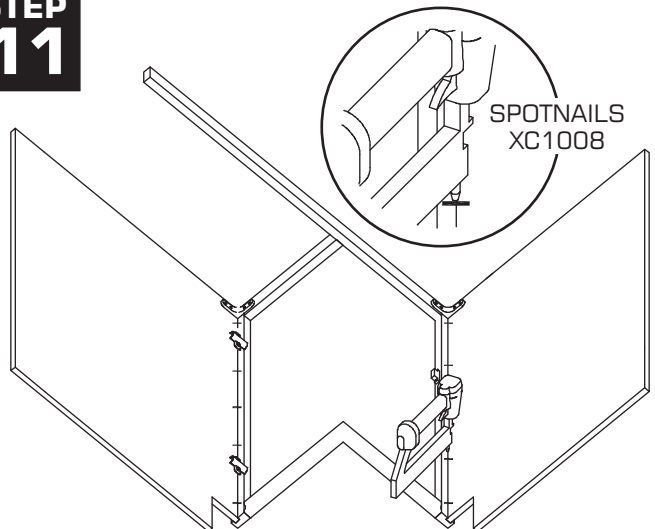


**STEP 10**



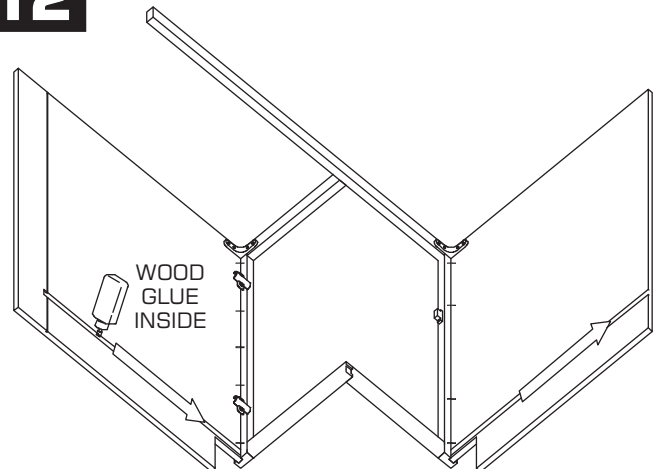
SCREW DRIVER

**STEP 11**



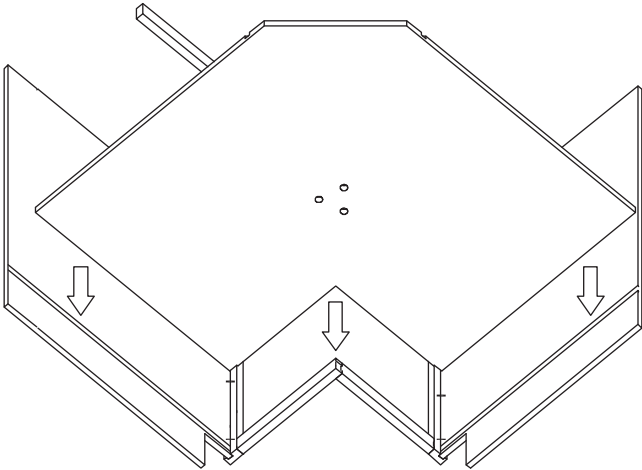
SPOTNAILS  
XC1008

**STEP 12**

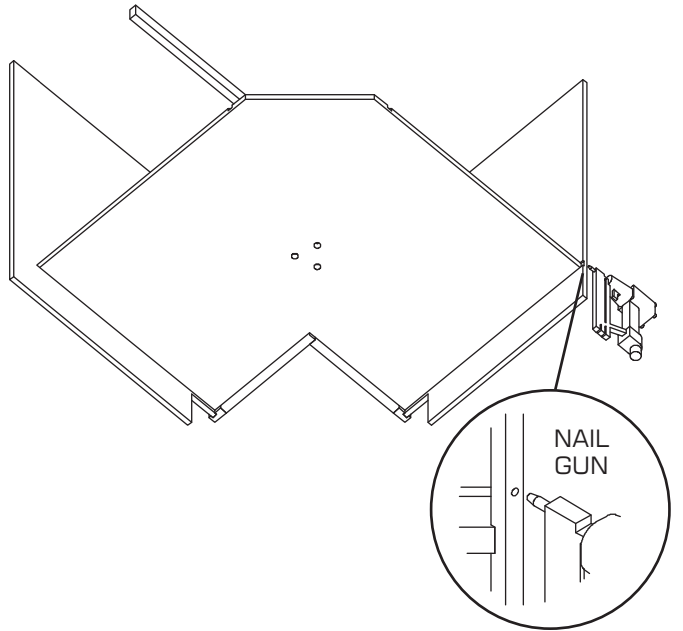


WOOD  
GLUE  
INSIDE

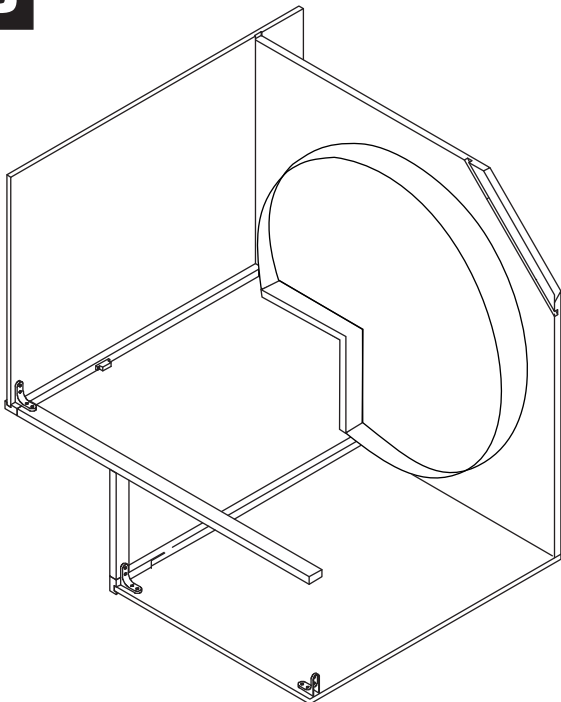
**STEP  
13**



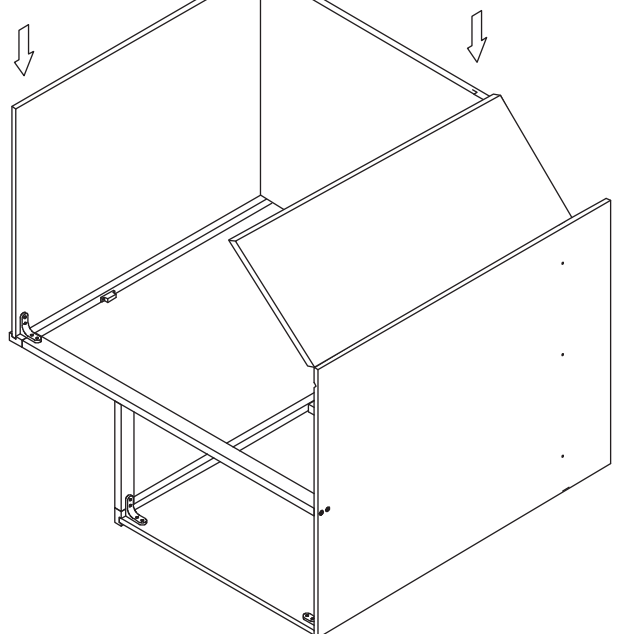
**STEP  
14**



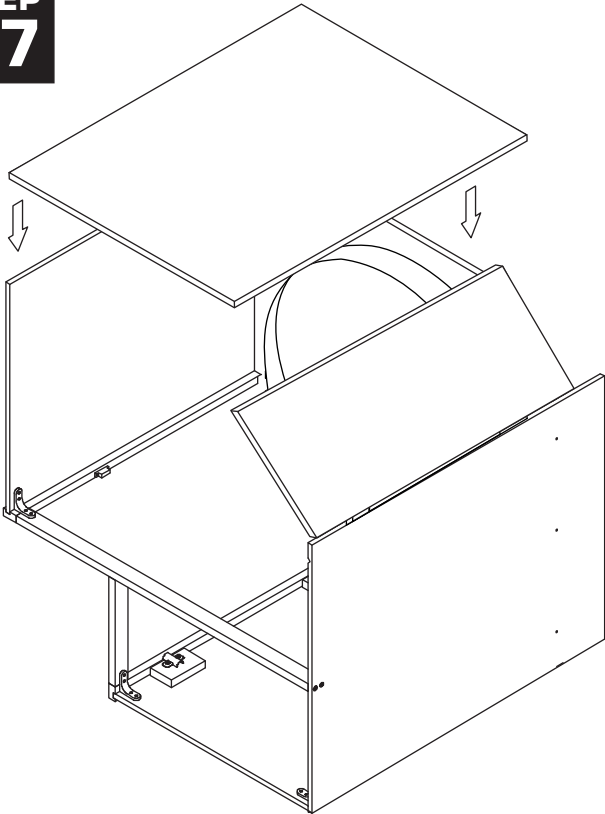
**STEP  
15**



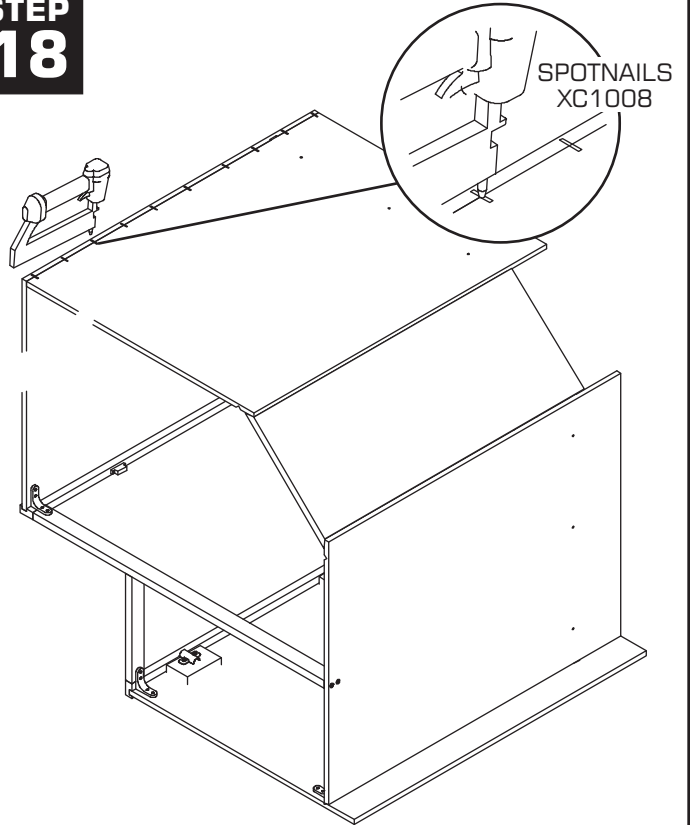
**STEP  
16**



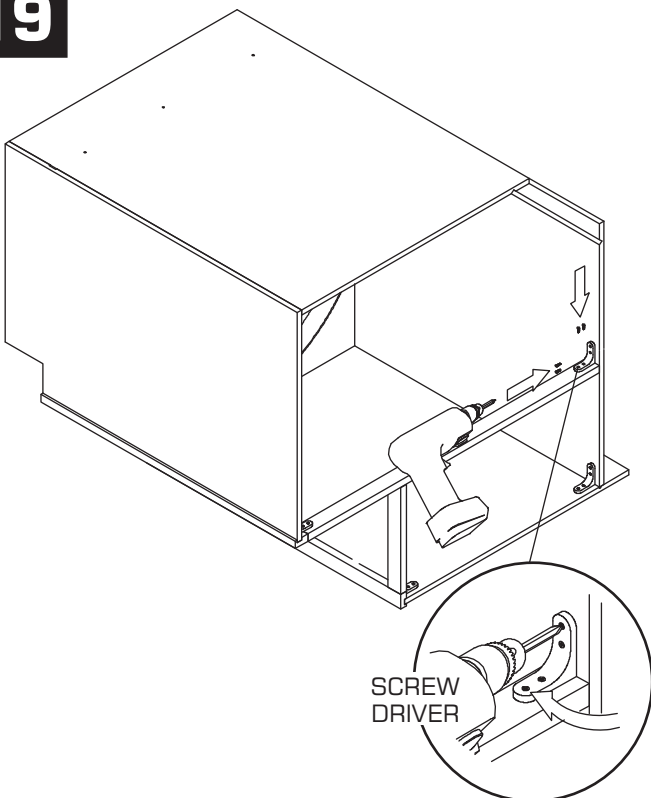
**STEP 17**



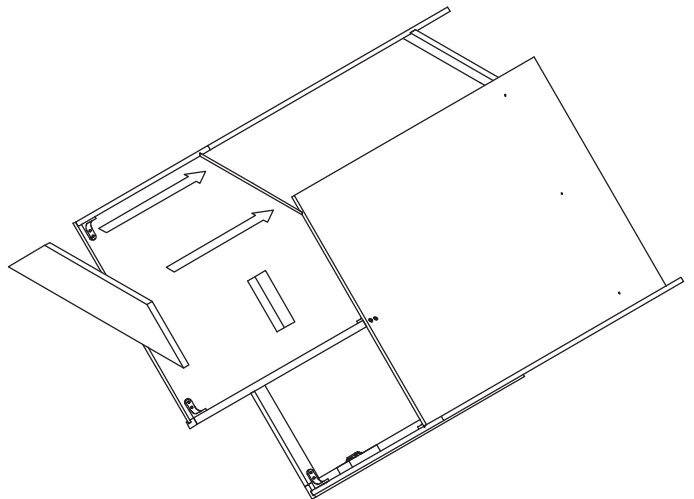
**STEP 18**



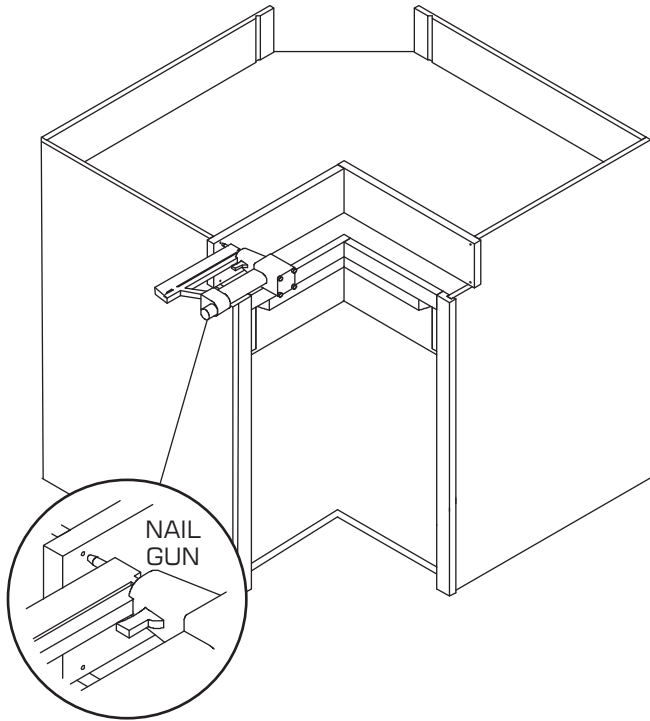
**STEP 19**



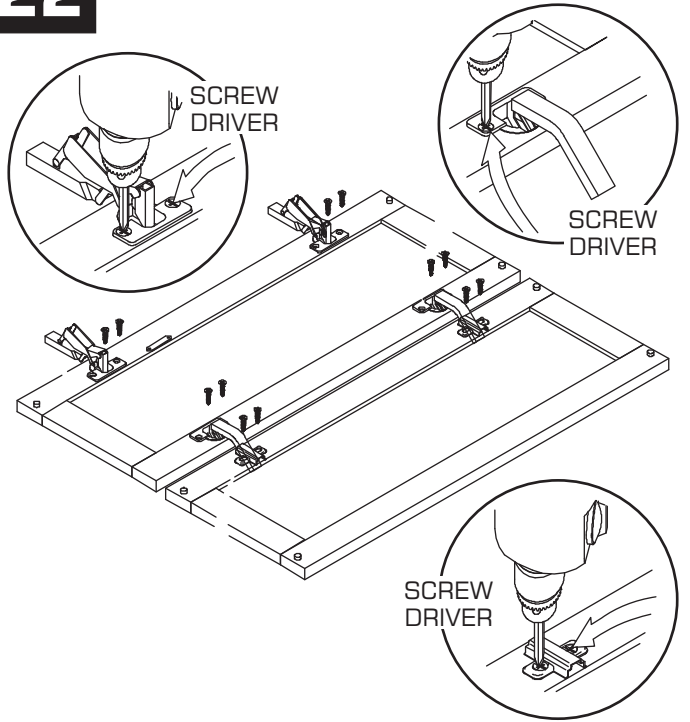
**STEP 20**



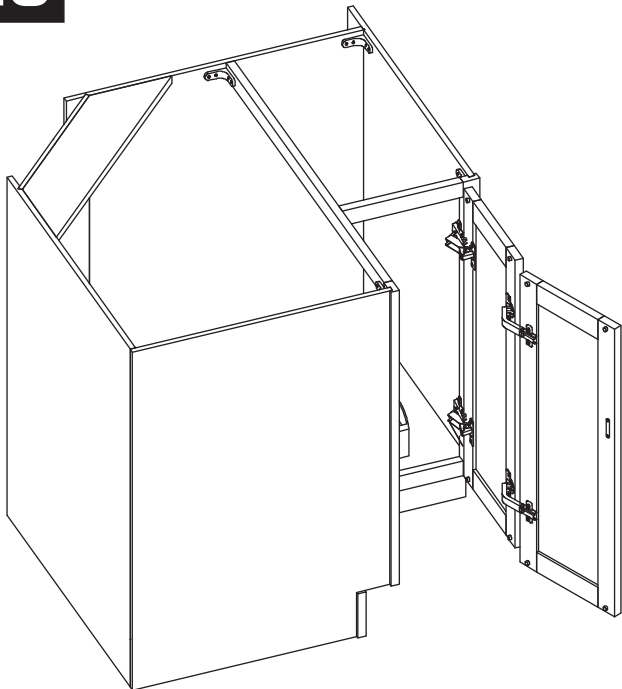
**STEP 21**



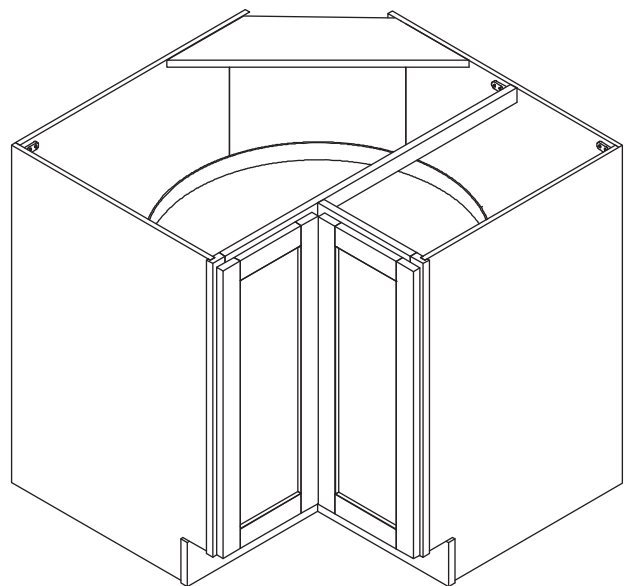
**STEP 22**



**STEP 23**

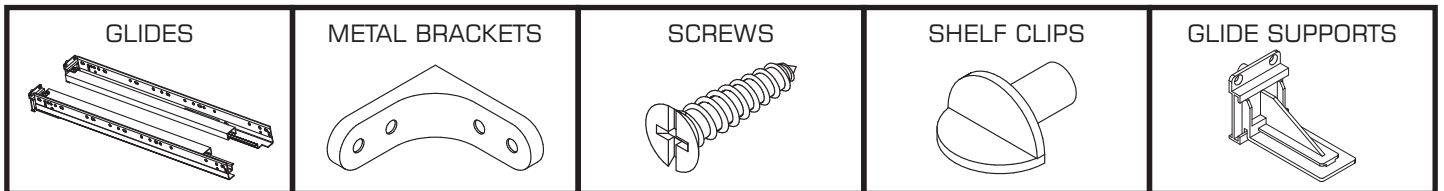
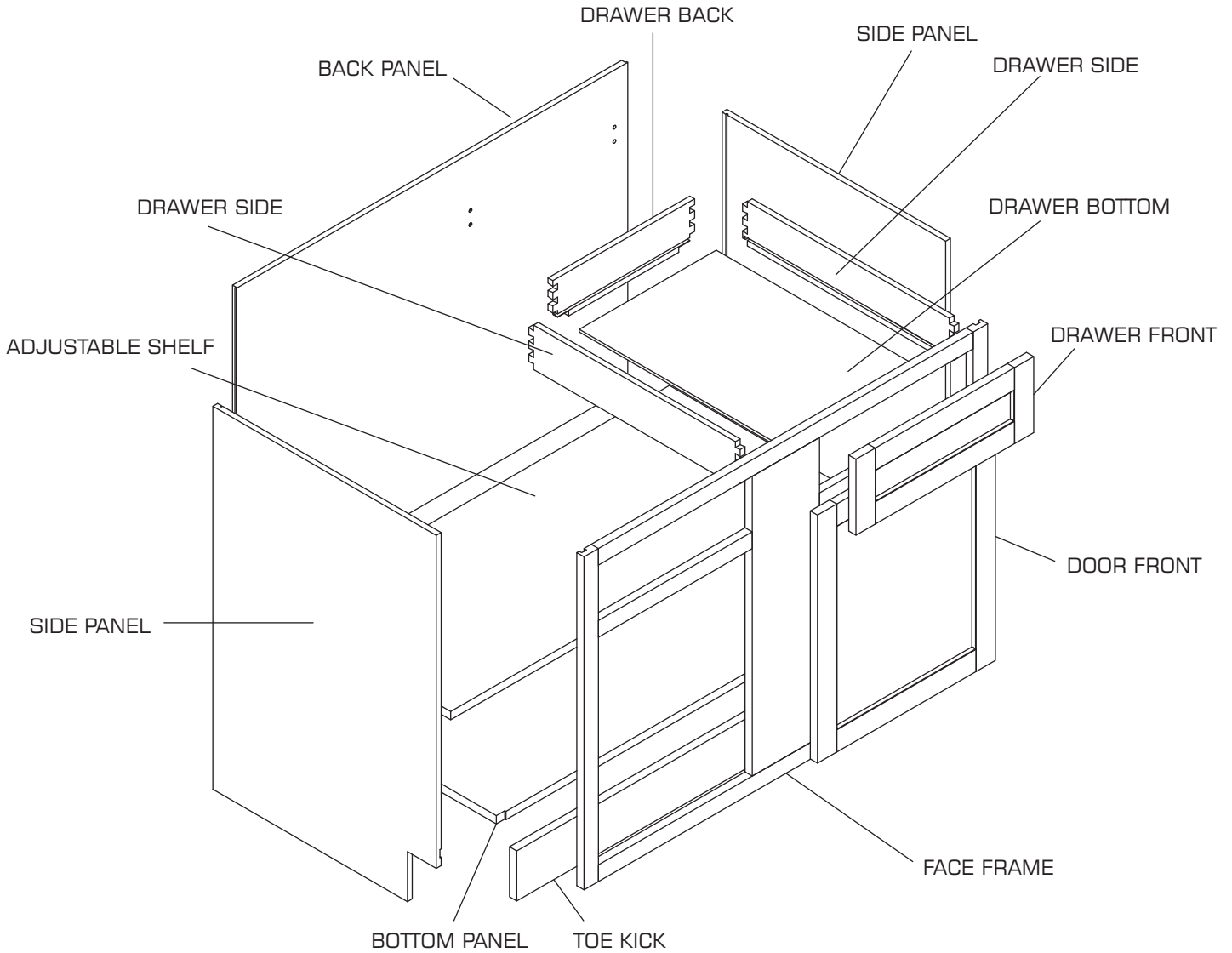


**STEP 24**



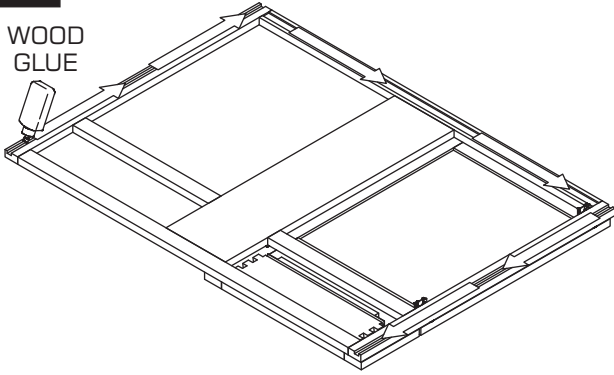
# ASSEMBLING INSTRUCTIONS - BLIND CORNER BASE CABINET

BLIND CORNER BASE CABINET

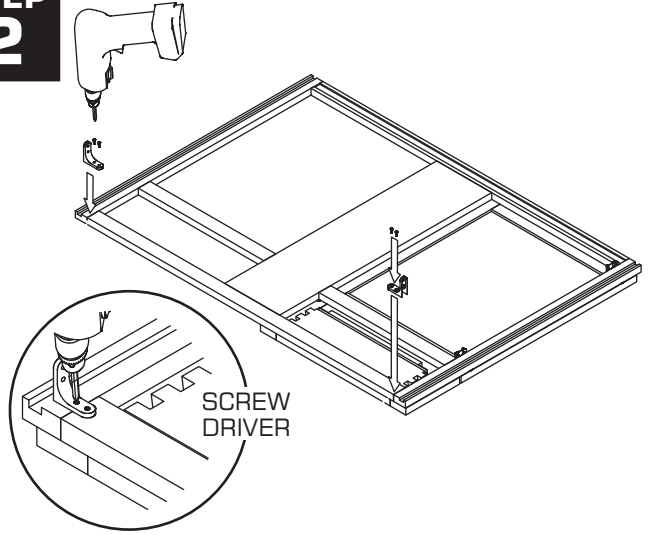


**STEP 1**

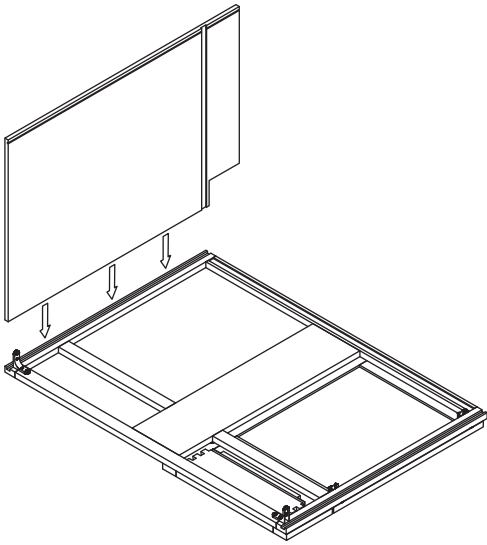
WOOD  
GLUE



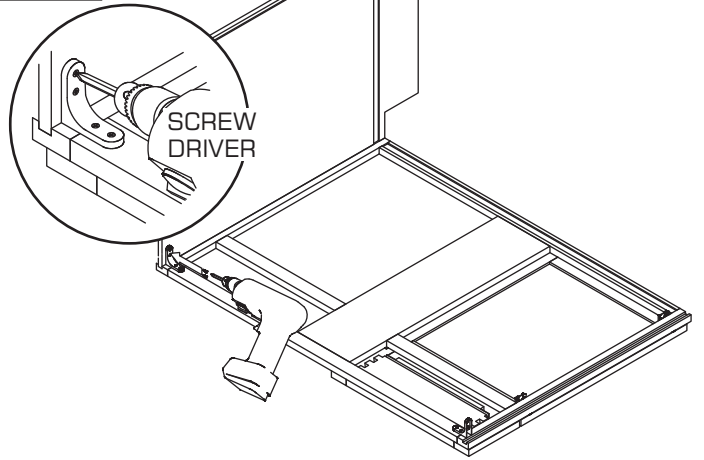
**STEP 2**



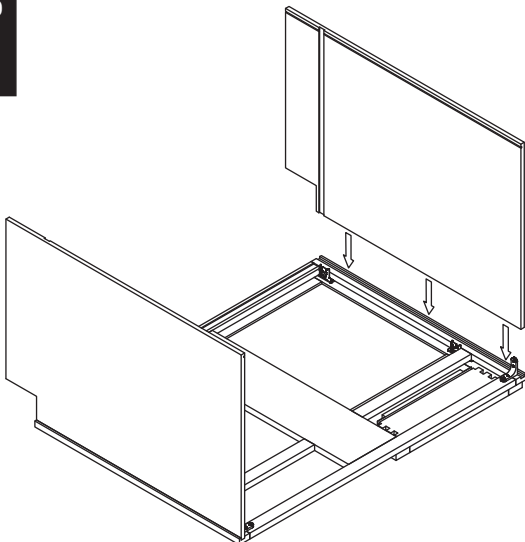
**STEP 3**



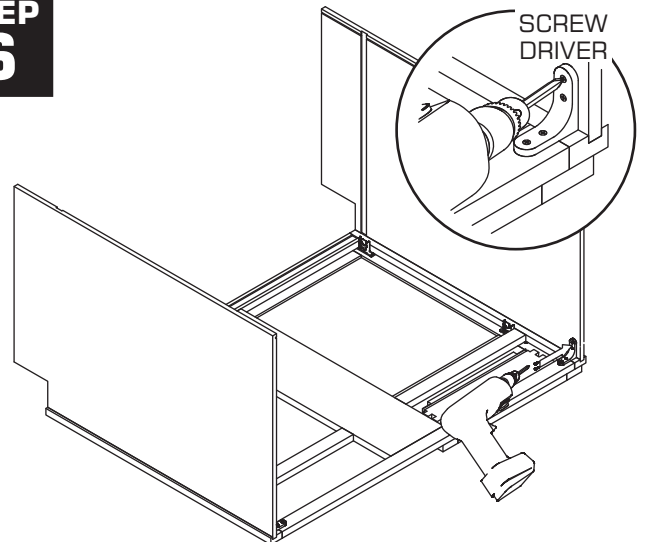
**STEP 4**



**STEP 5**

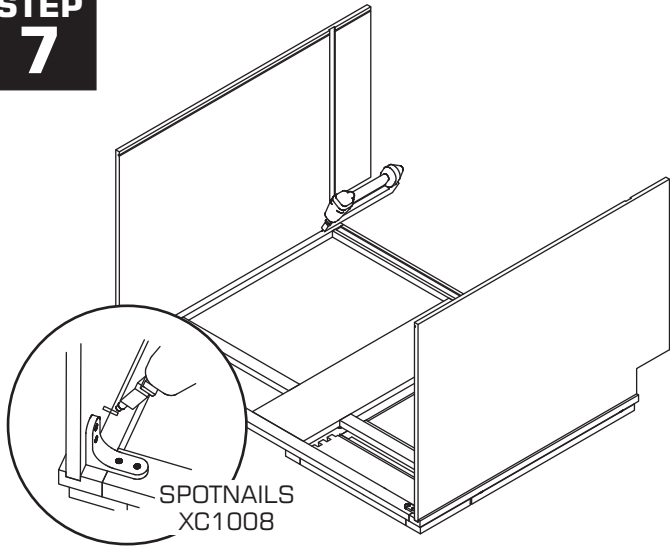


**STEP 6**

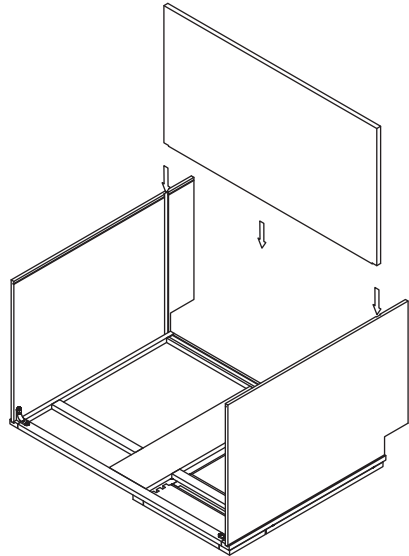




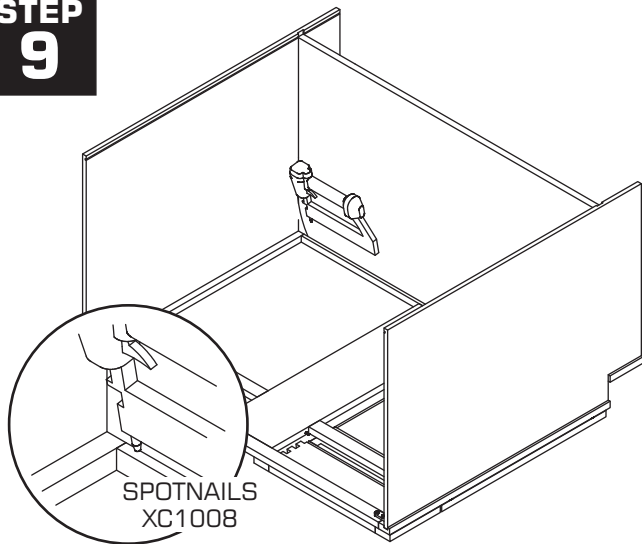
STEP 7



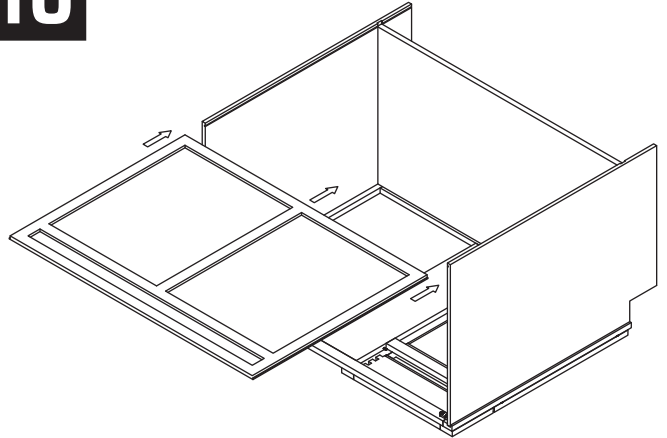
STEP 8



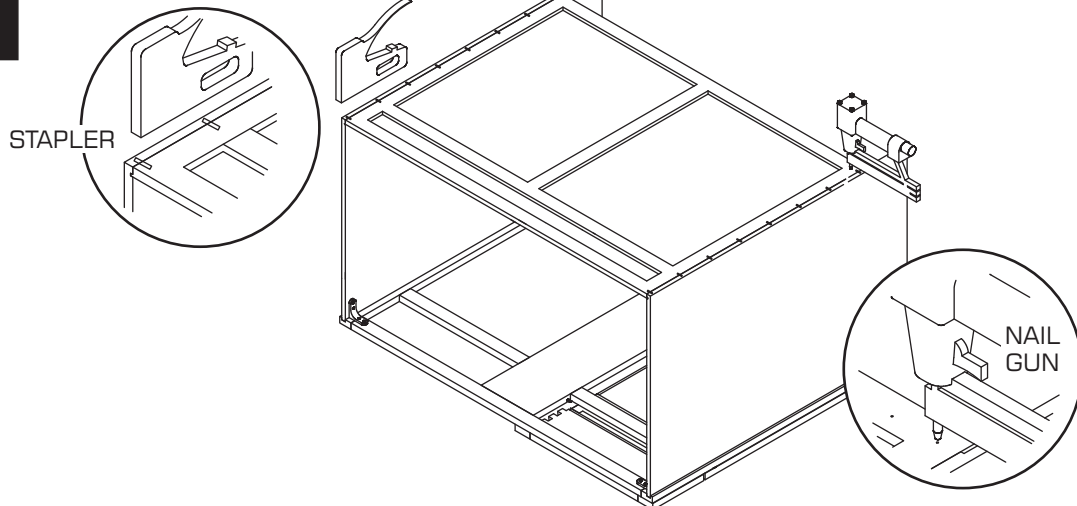
STEP 9



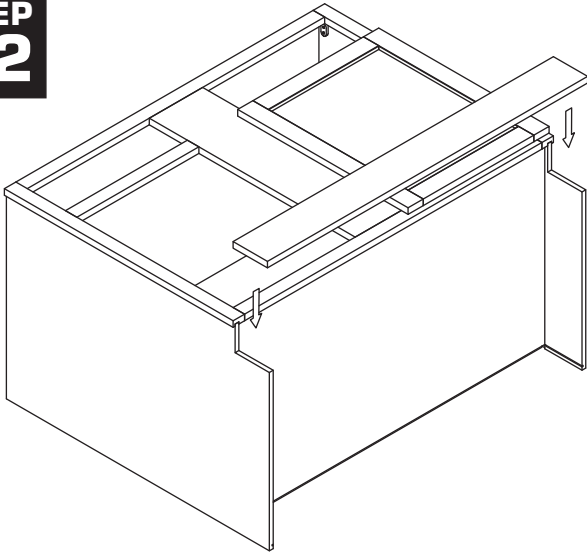
STEP 10



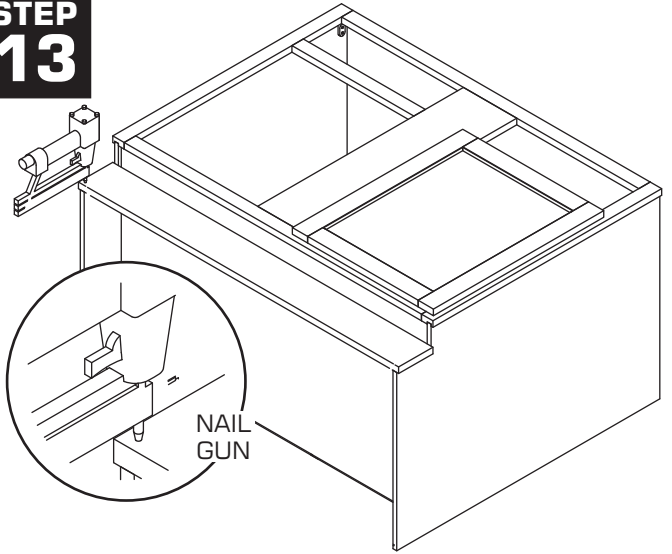
STEP 11



STEP 12

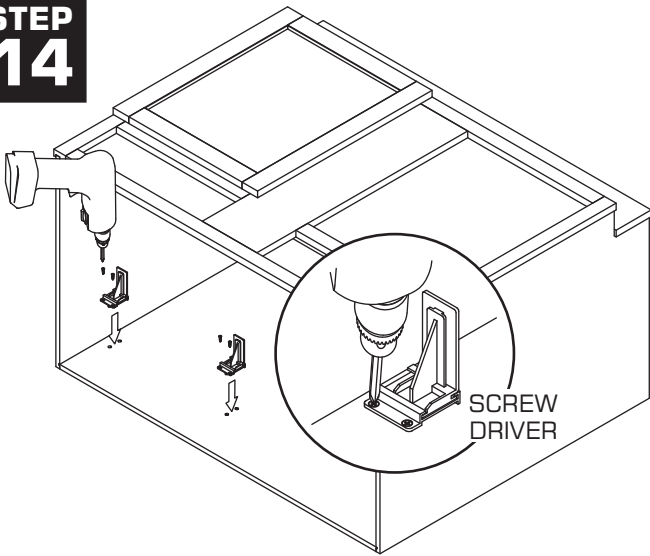


STEP 13



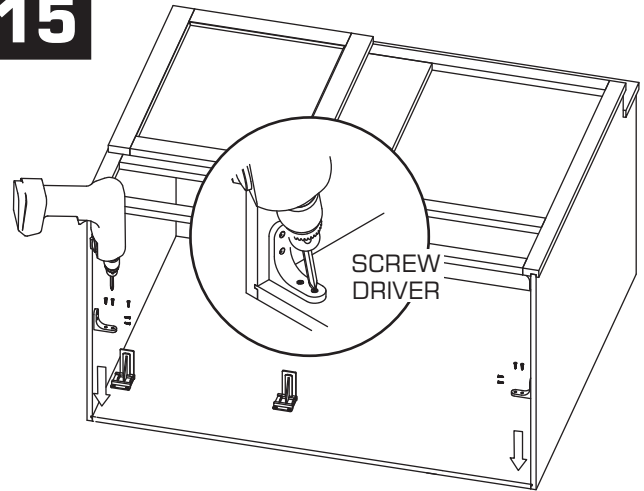
NAIL GUN

STEP 14



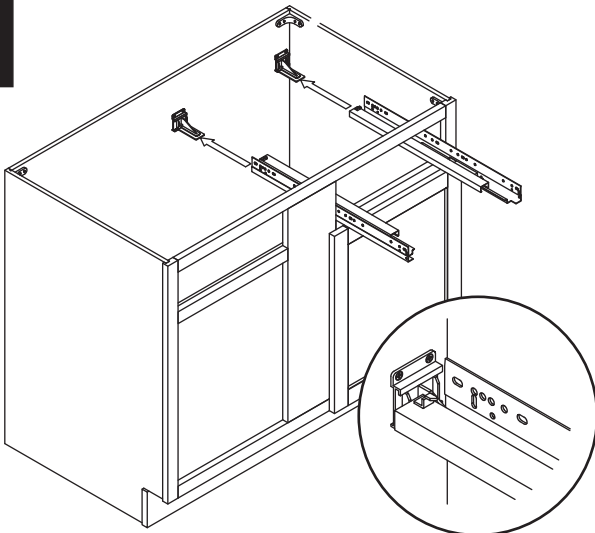
SCREW DRIVER

STEP 15

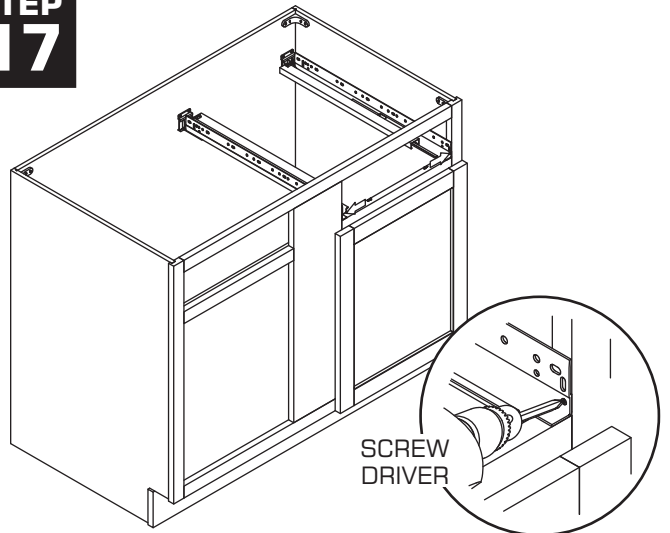


SCREW DRIVER

STEP 16

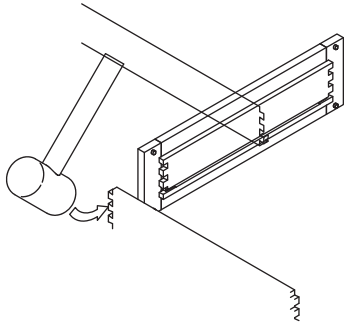


STEP 17

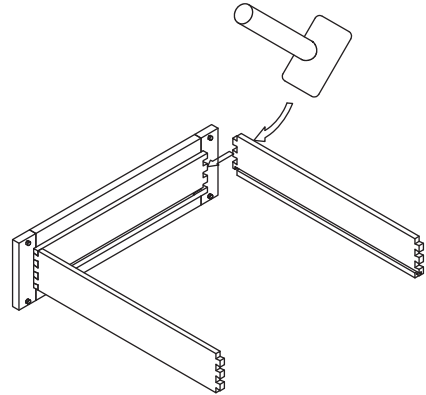


SCREW DRIVER

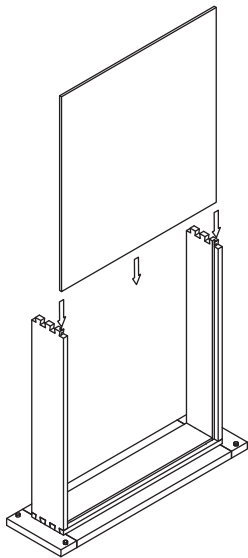
STEP 18



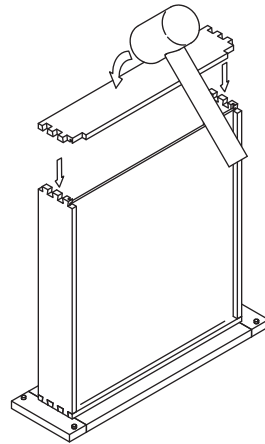
STEP 19



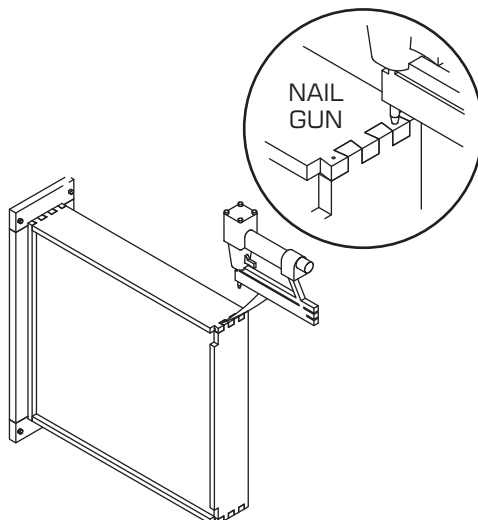
STEP 20



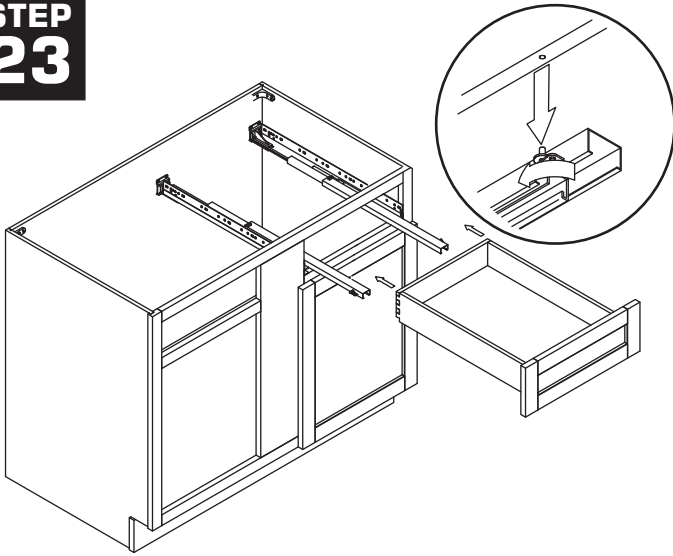
STEP 21



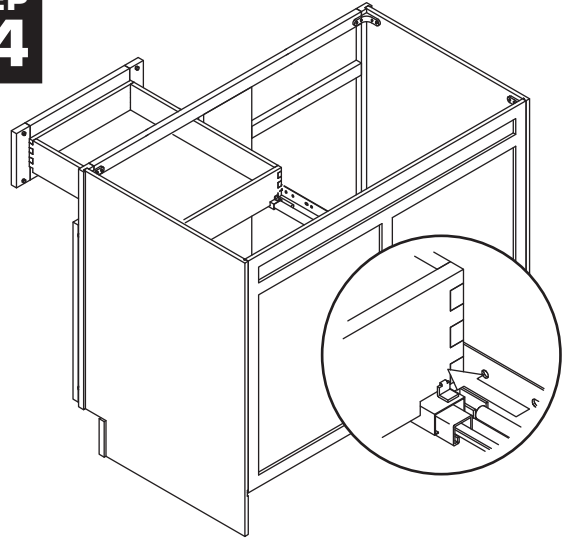
STEP 22



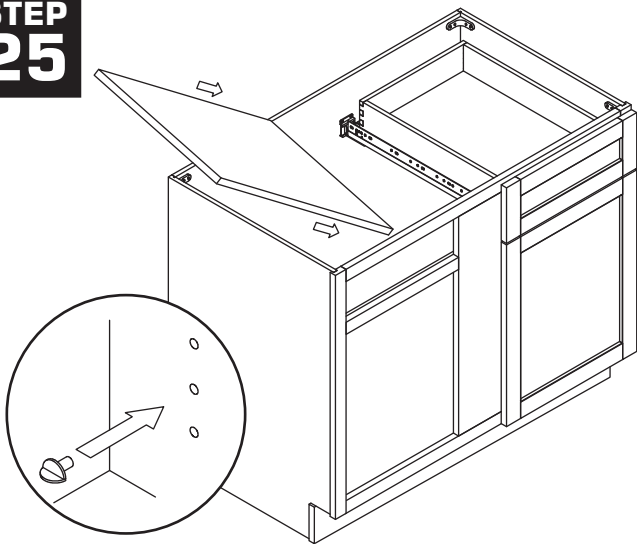
**STEP  
23**



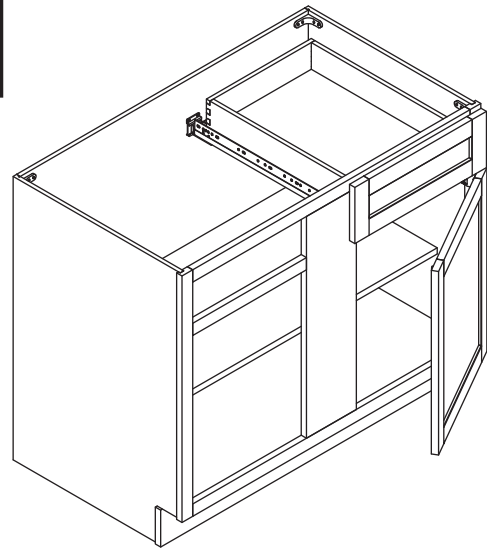
**STEP  
24**



**STEP  
25**

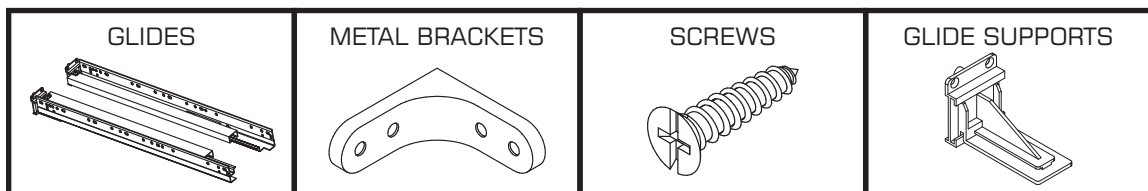
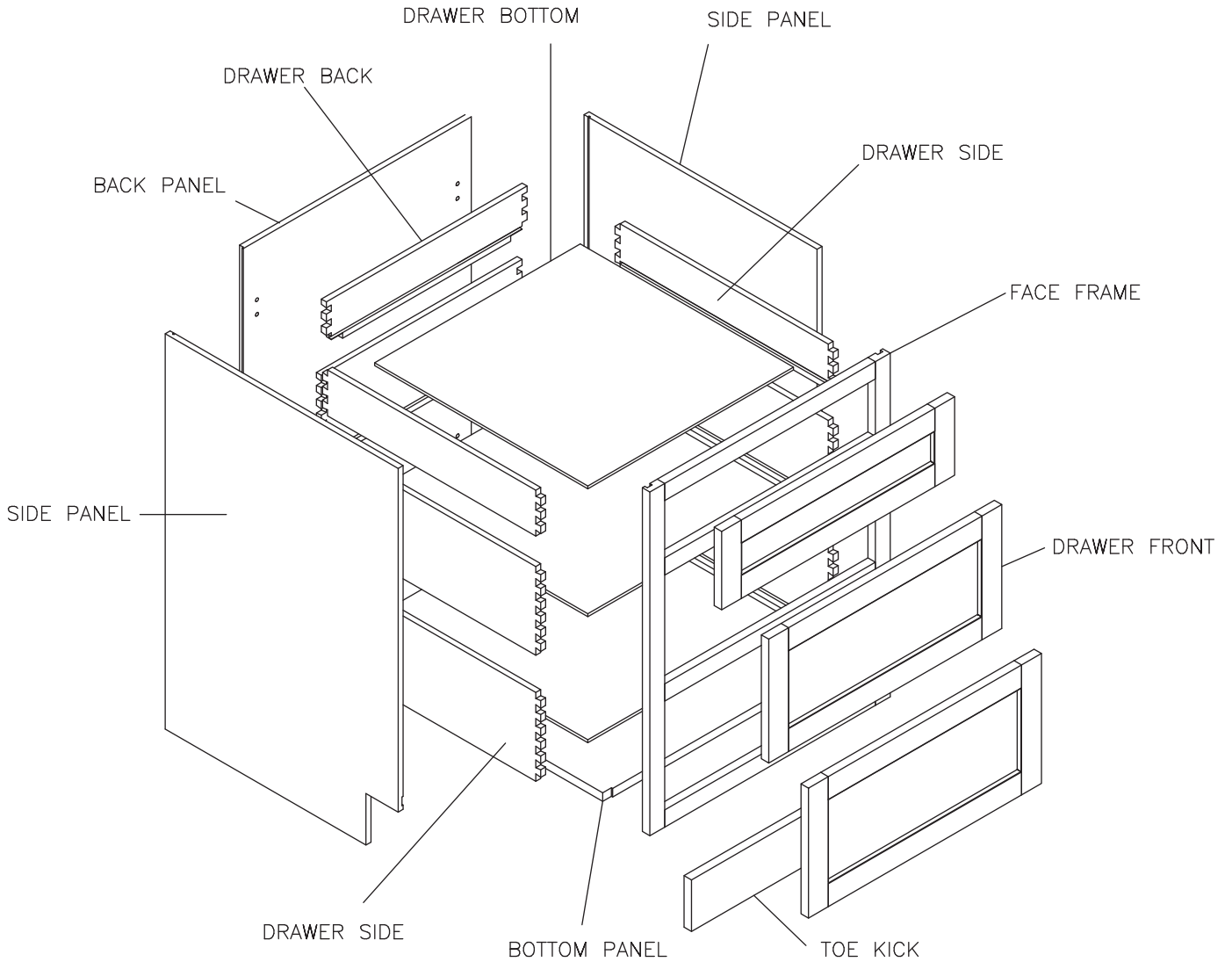


**STEP  
26**



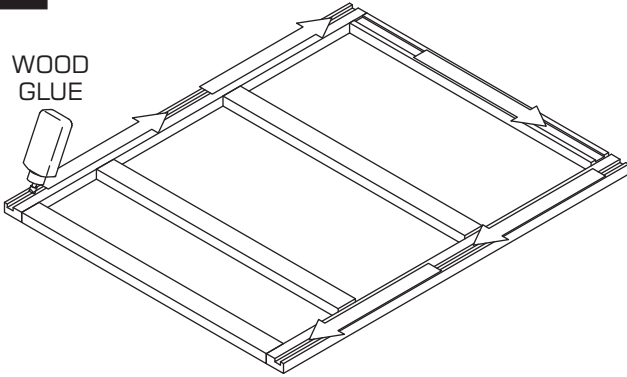
**BLIND CORNER BASE CABINET**

# ASSEMBLING INSTRUCTIONS - BASE 3 DRAWERS

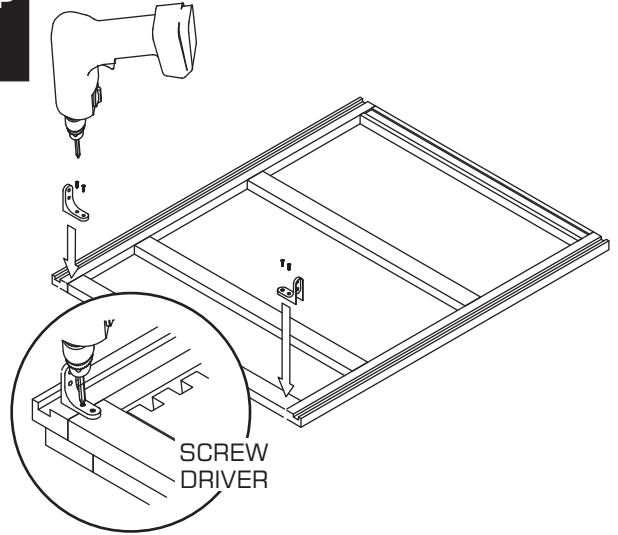


**STEP 1**

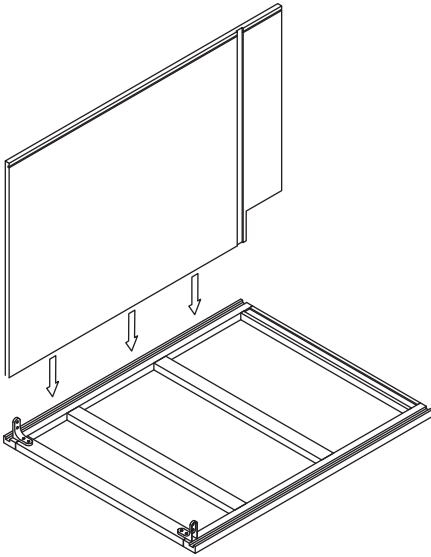
WOOD  
GLUE



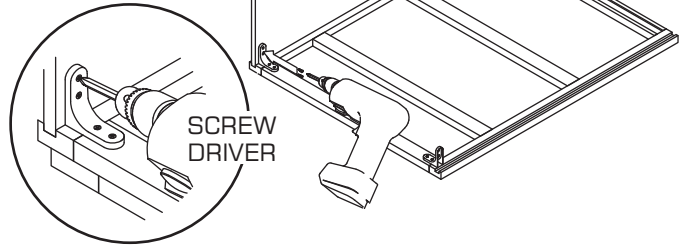
**STEP 2**



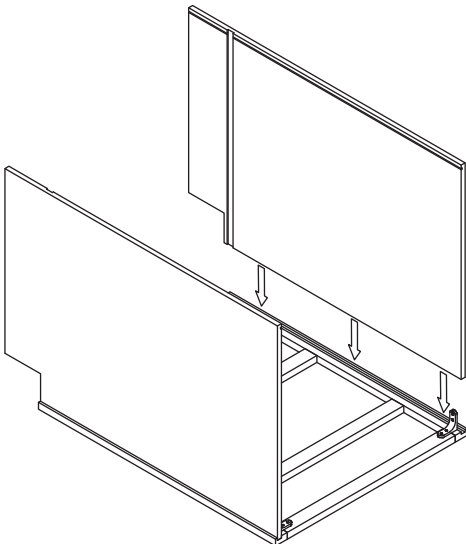
**STEP 3**



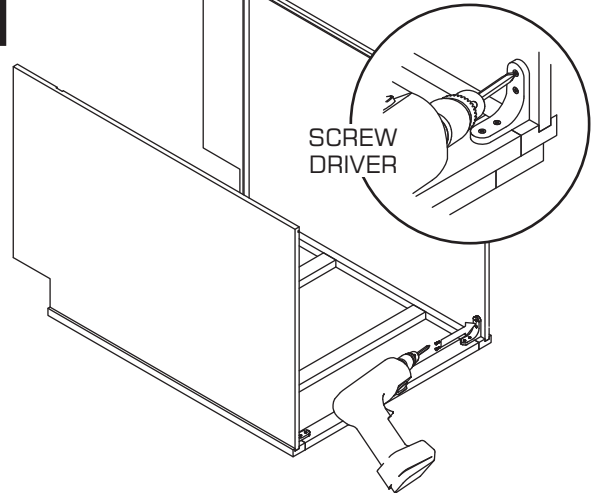
**STEP 4**



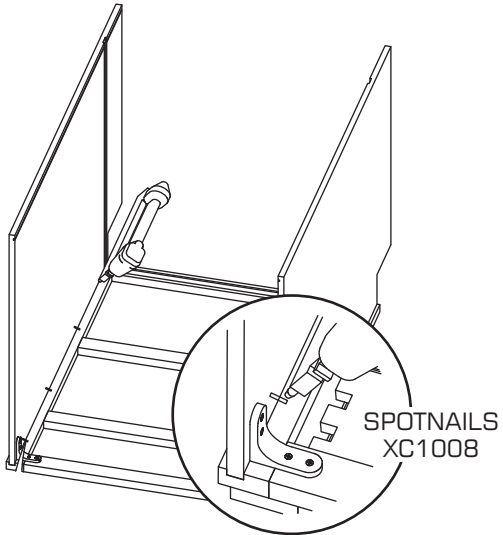
**STEP 5**



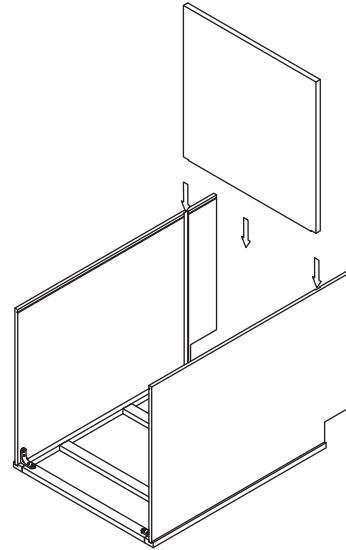
**STEP 6**



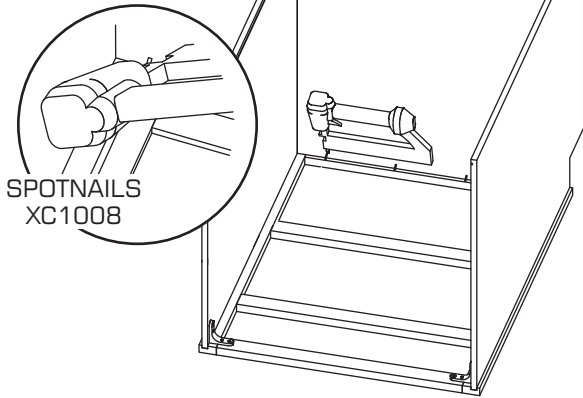
**STEP 7**



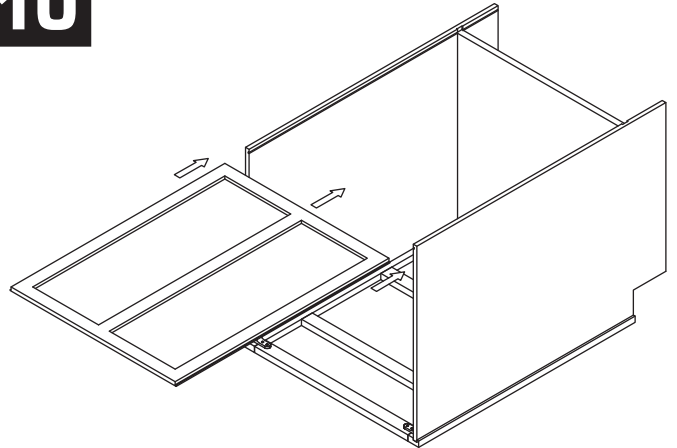
**STEP 8**



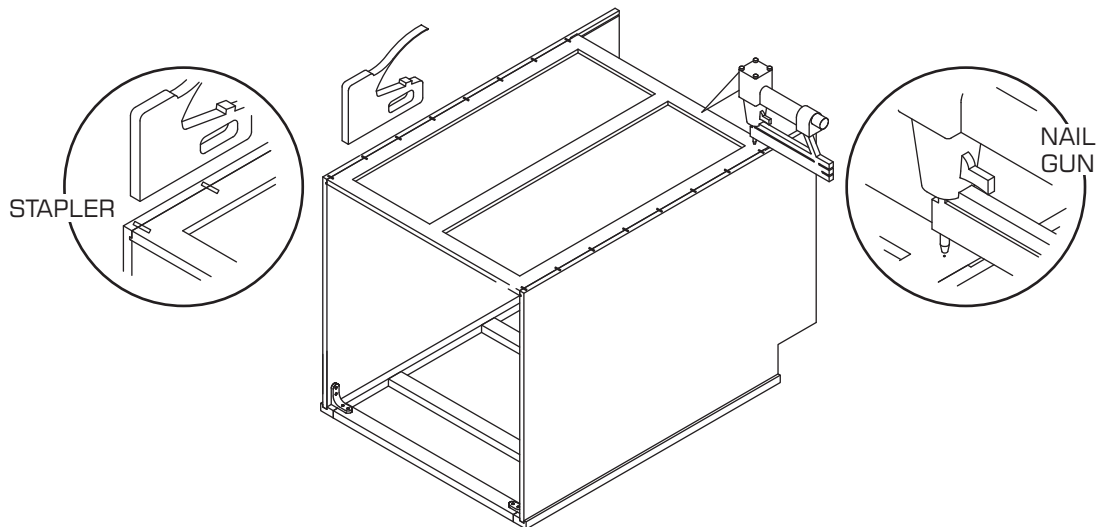
**STEP 9**



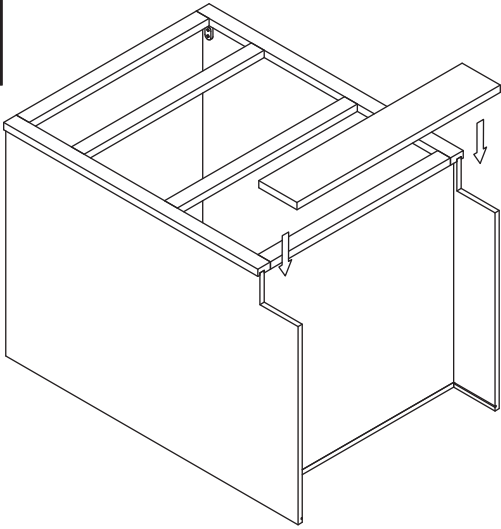
**STEP 10**



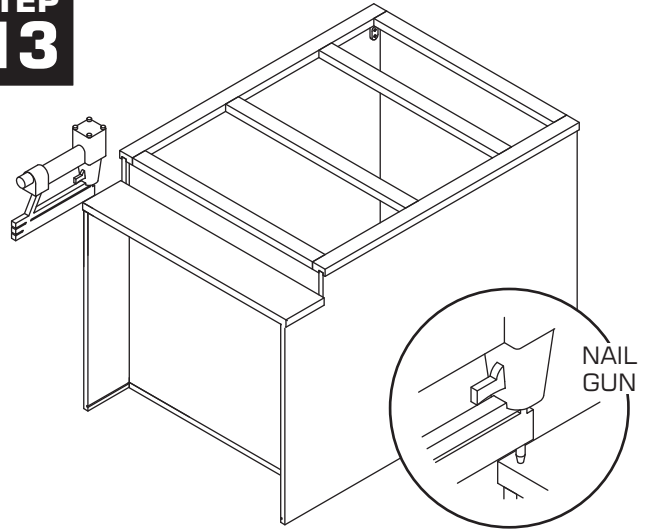
**STEP 11**



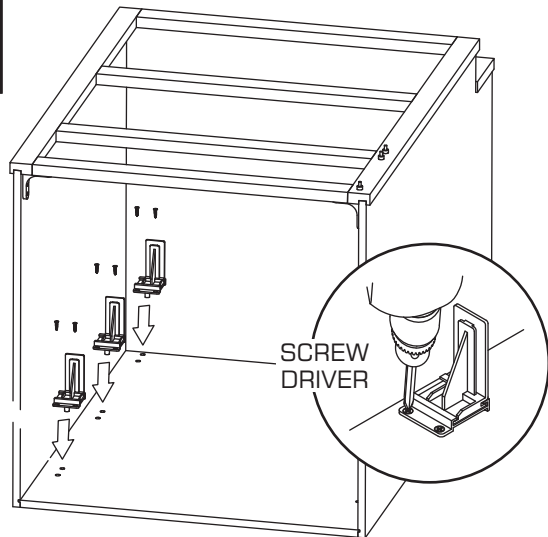
**STEP 12**



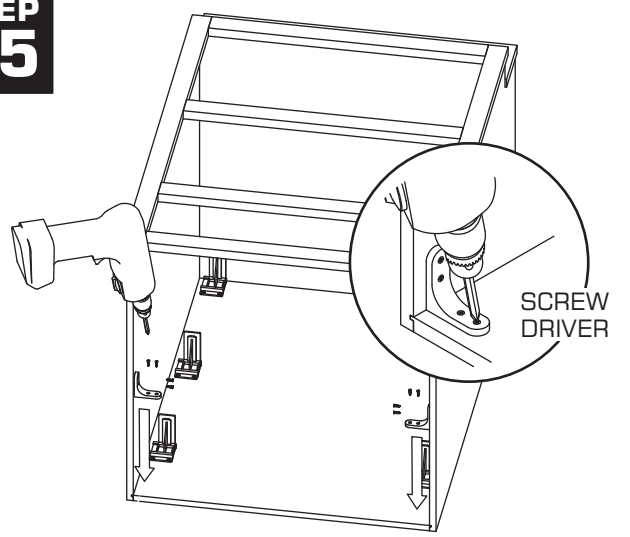
**STEP 13**



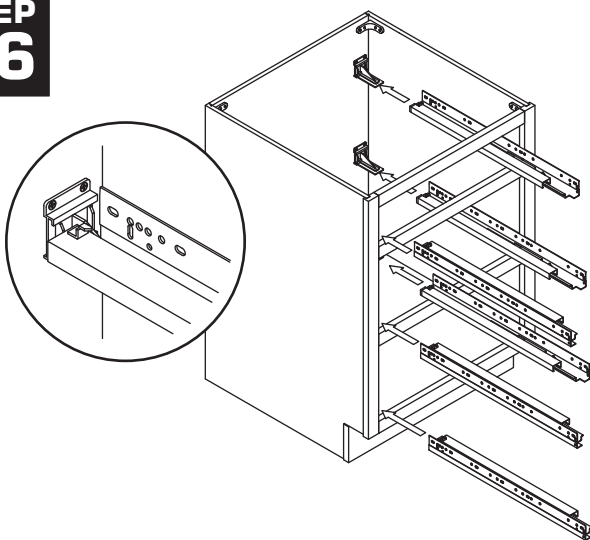
**STEP 14**



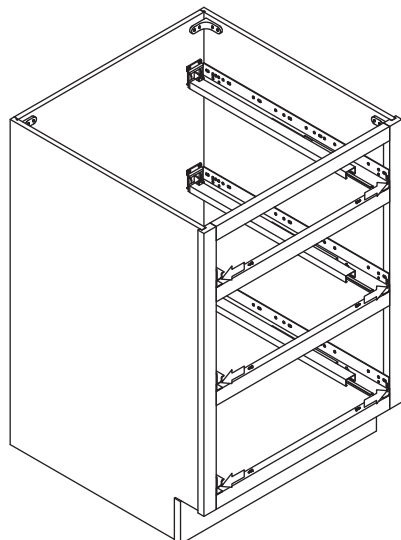
**STEP 15**



**STEP 16**

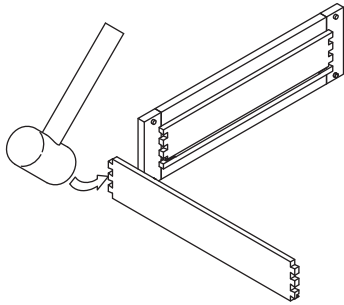


**STEP 17**

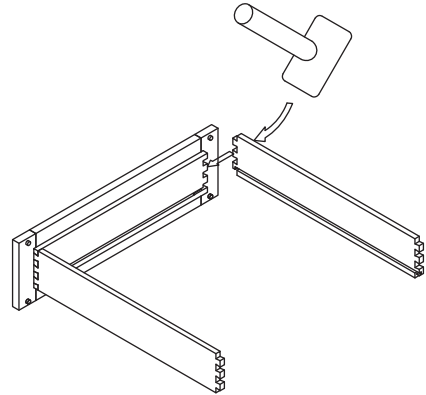




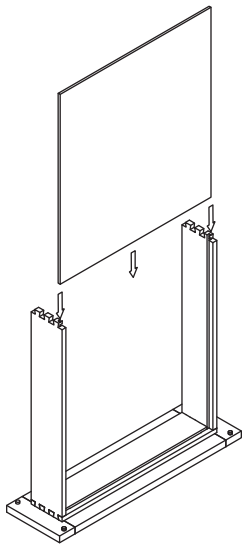
**STEP  
18**



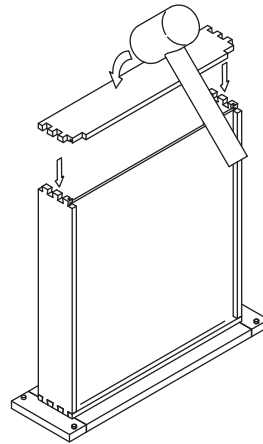
**STEP  
19**



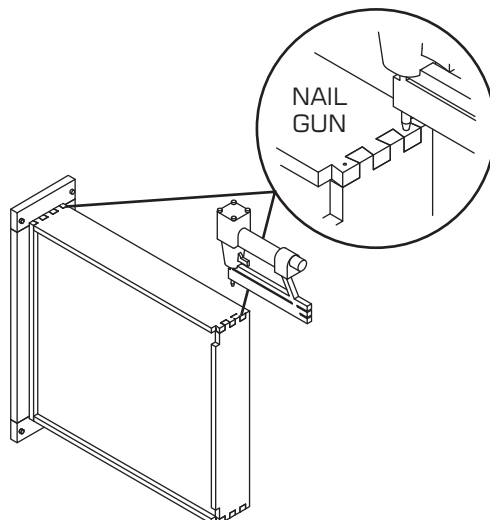
**STEP  
20**



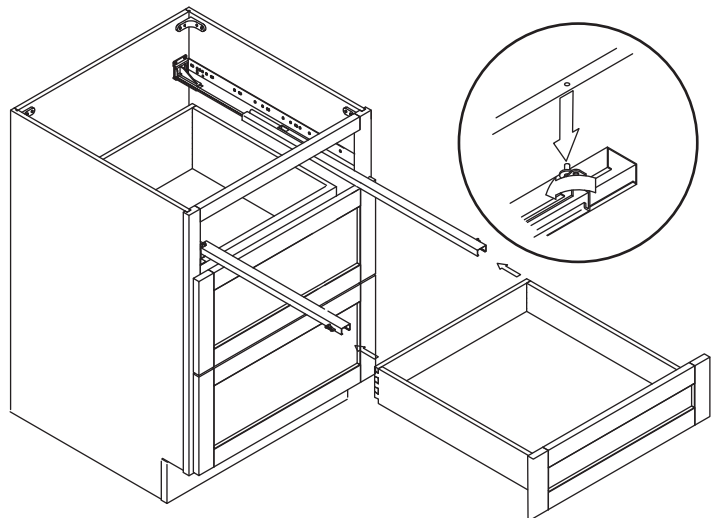
**STEP  
21**



**STEP  
22**

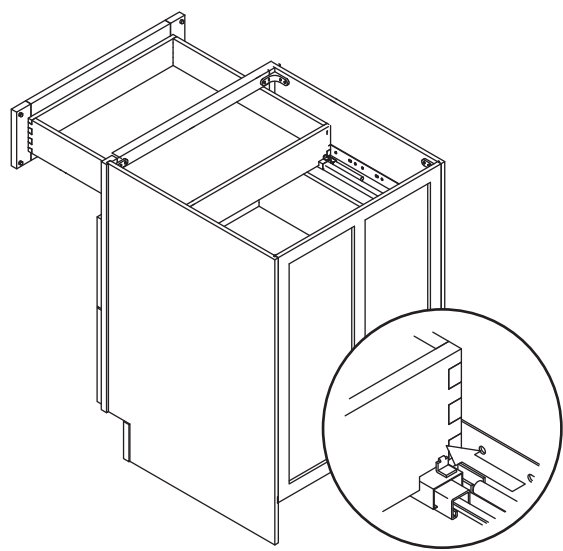


**STEP  
23**

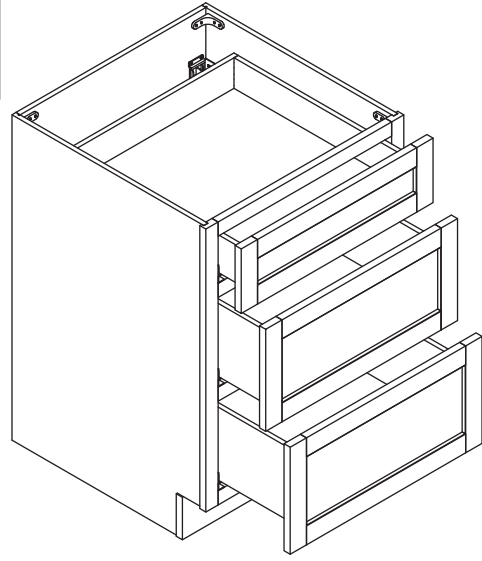


**BASE 3 DRAWERS**

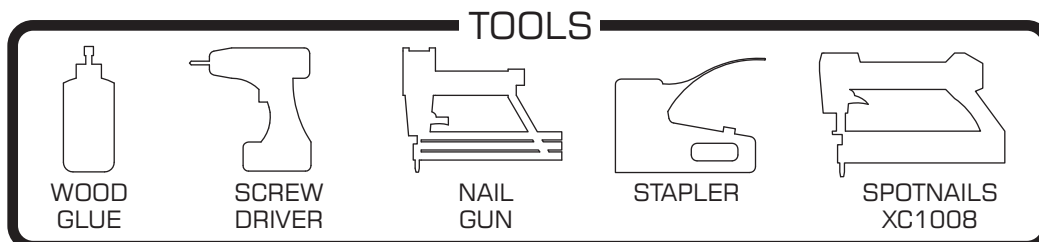
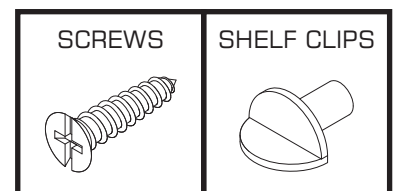
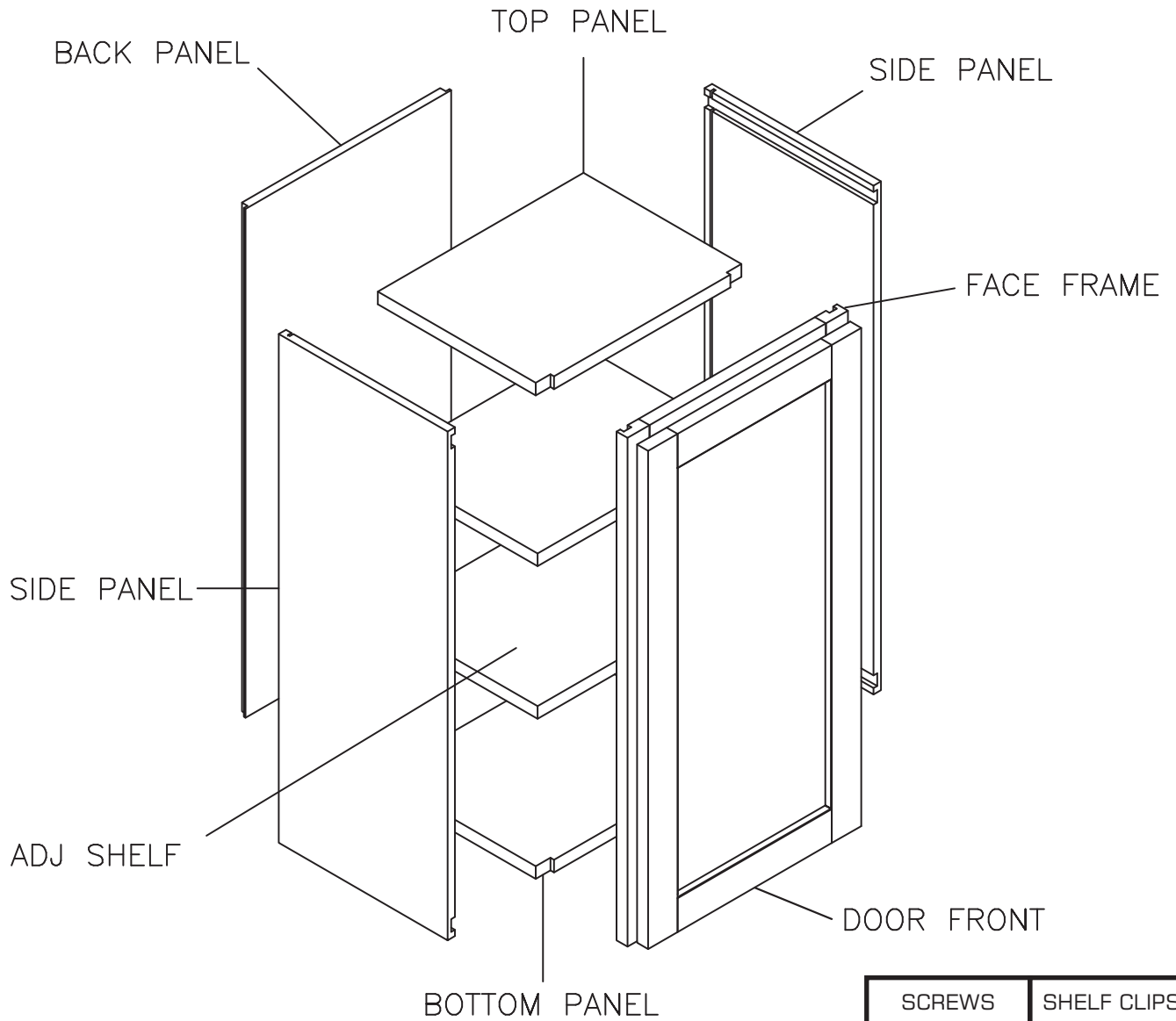
**STEP  
24**



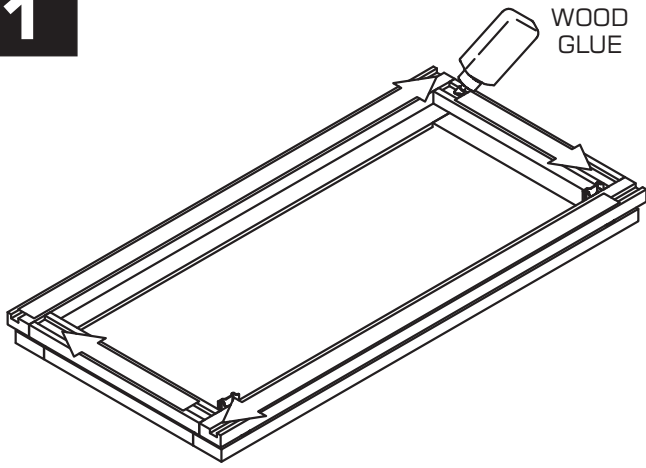
**STEP  
25**



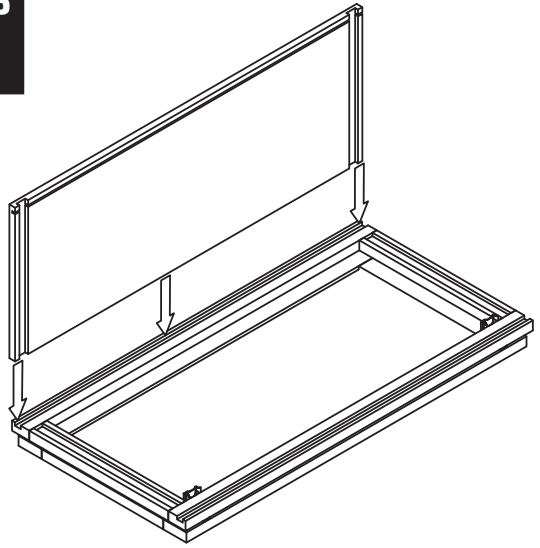
# ASSEMBLING INSTRUCTIONS - WALL CABINET



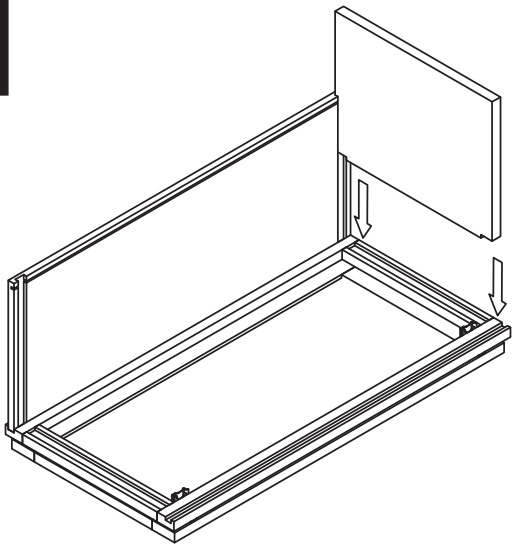
**STEP 1**



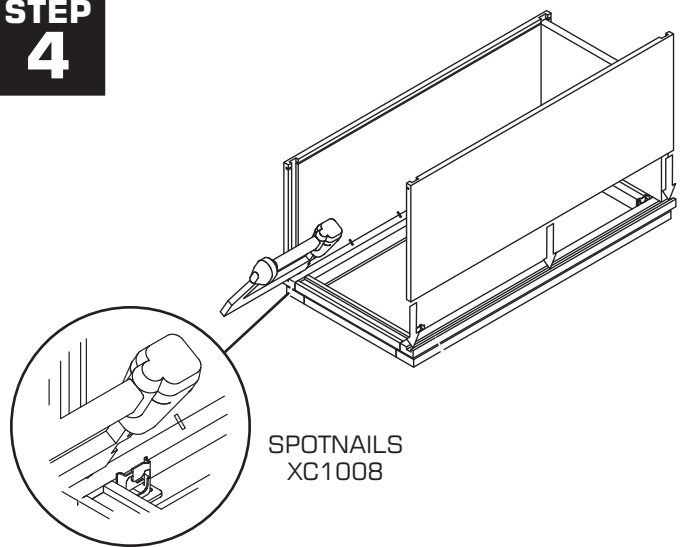
**STEP 2**



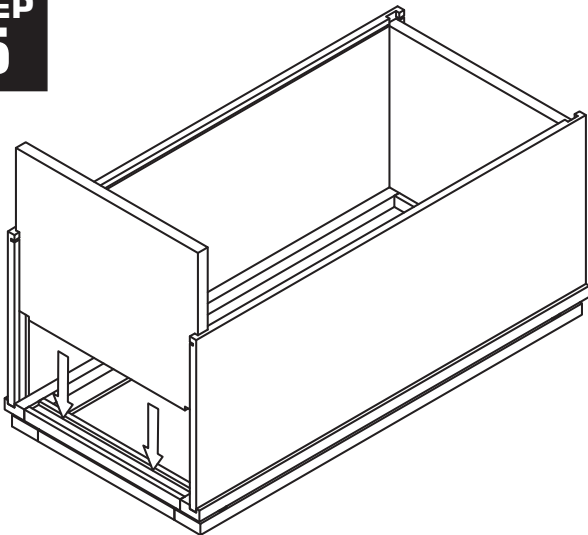
**STEP 3**



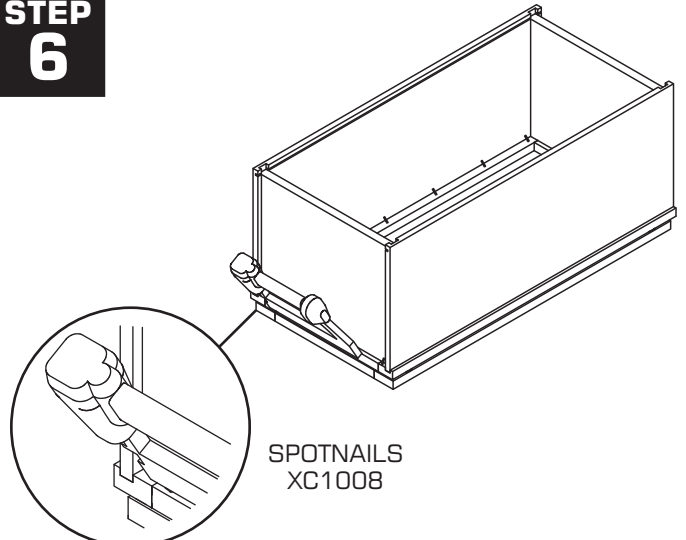
**STEP 4**



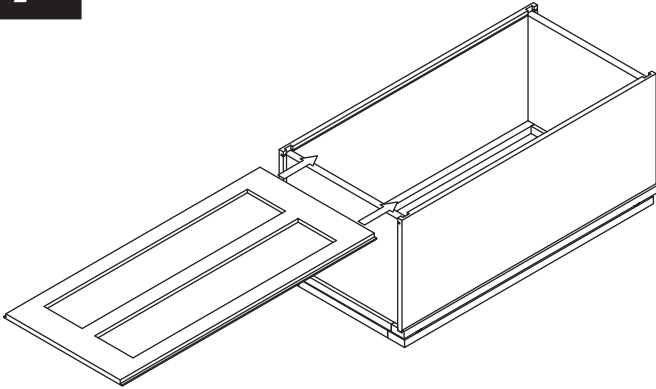
**STEP 5**



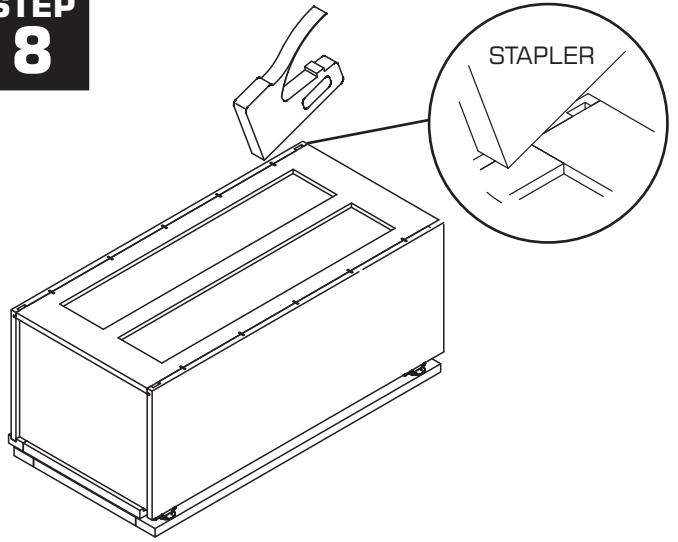
**STEP 6**



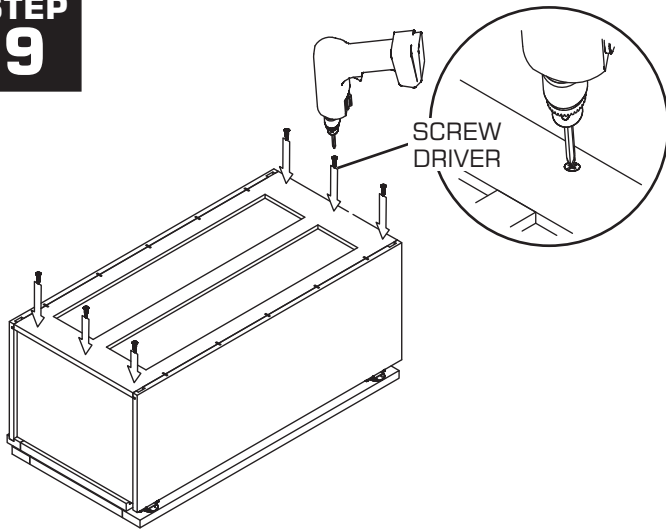
STEP 7



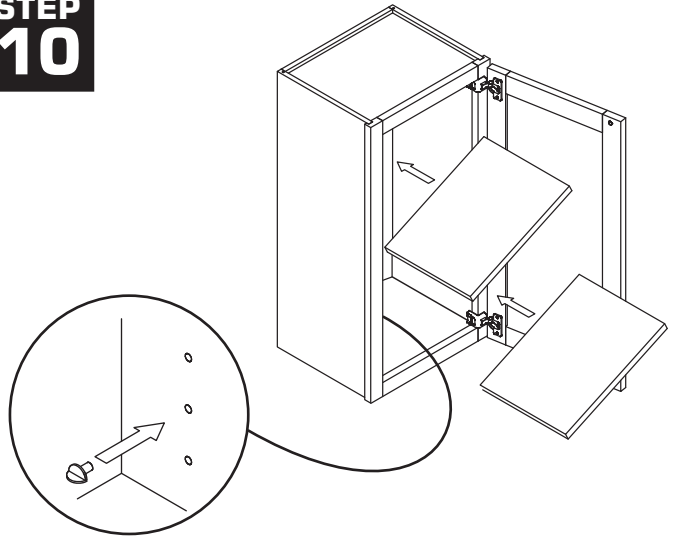
STEP 8



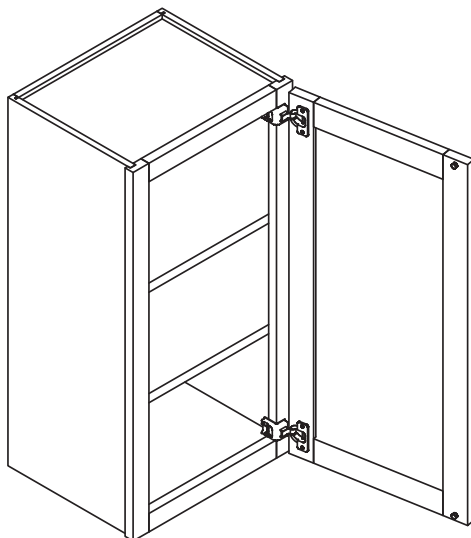
STEP 9



STEP 10

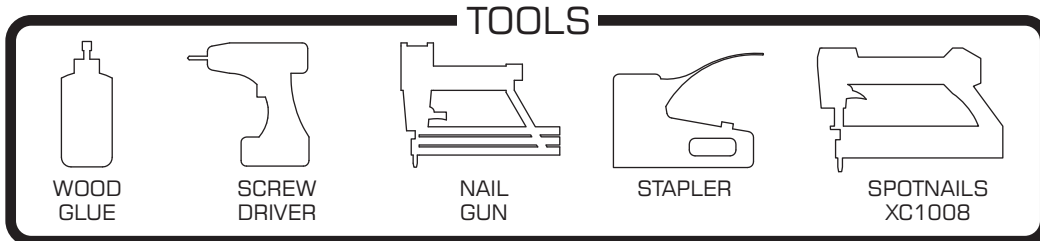
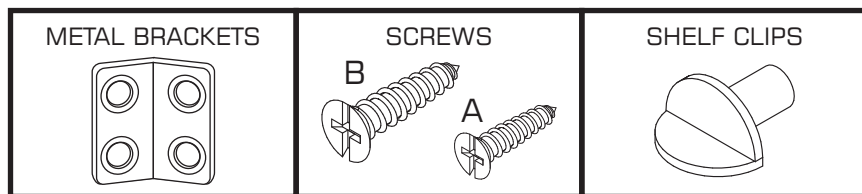
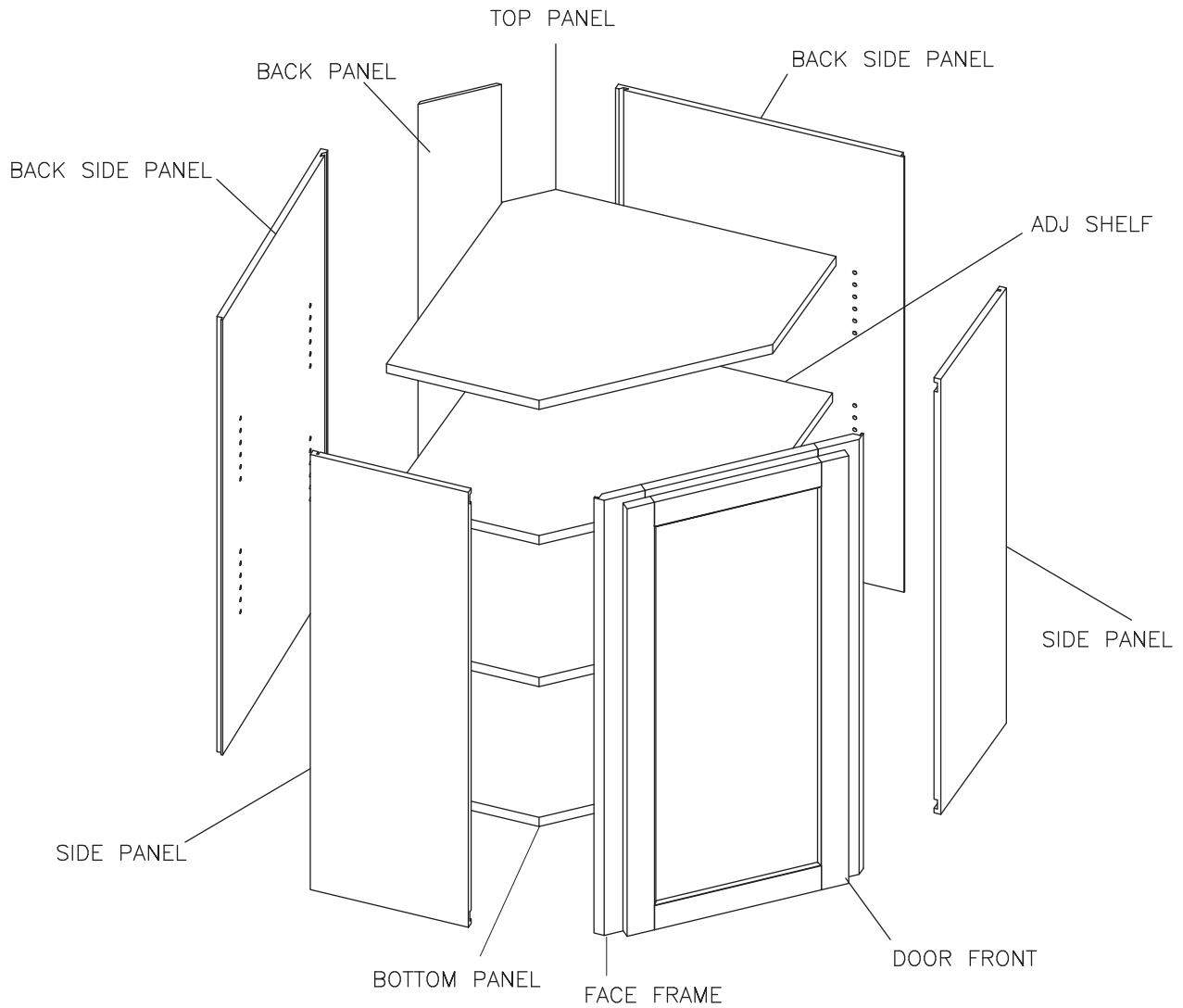


STEP 11

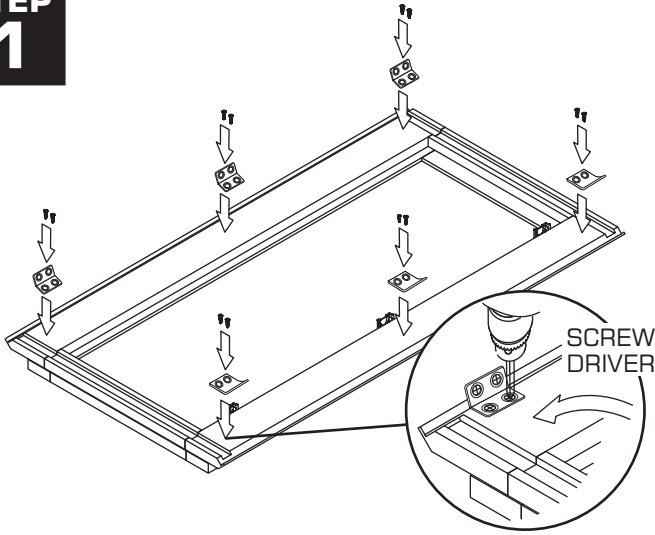


# ASSEMBLING INSTRUCTIONS - WALL DIAGONAL CORNER CABINET

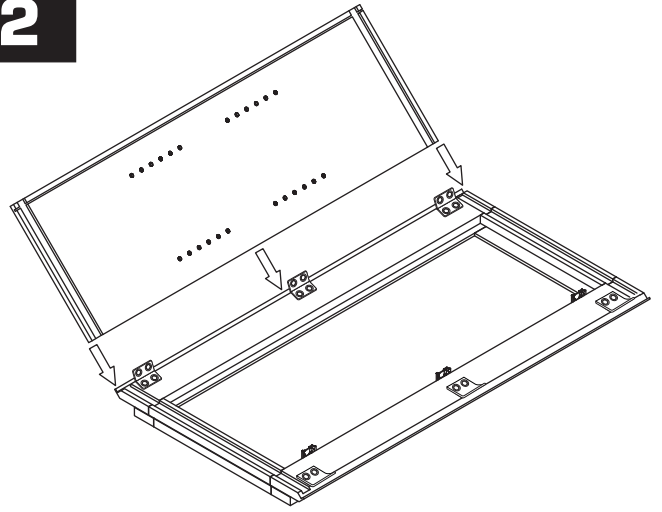
WALL DIAGONAL CORNER CABINET



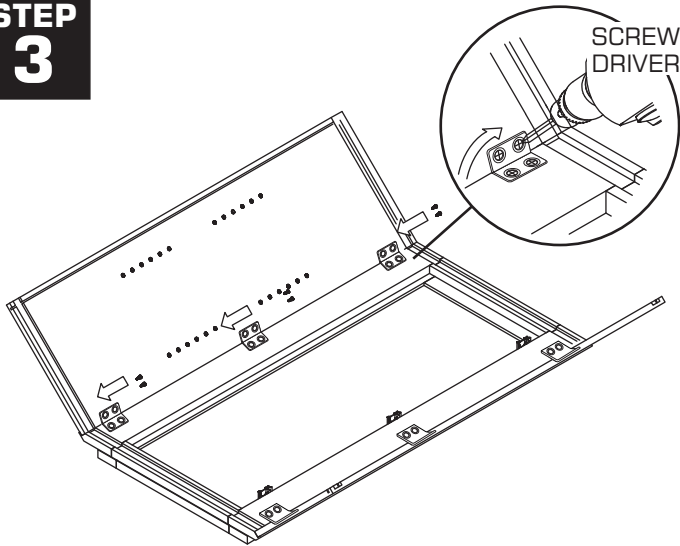
**STEP 1**



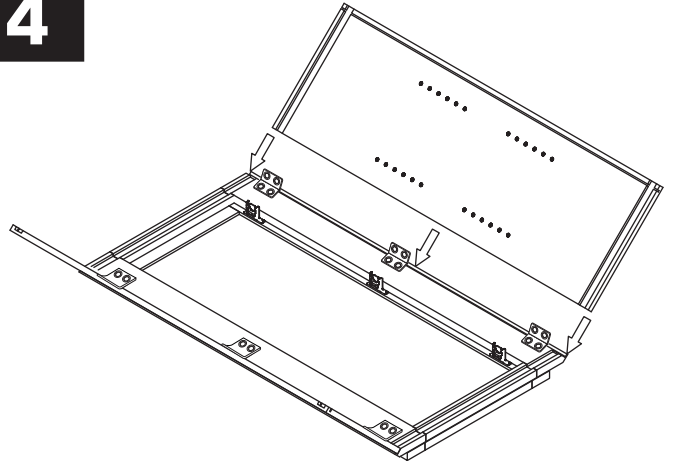
**STEP 2**



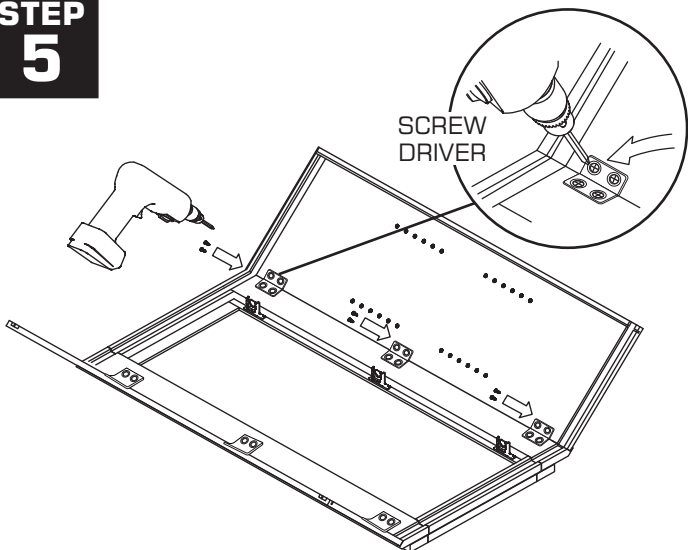
**STEP 3**



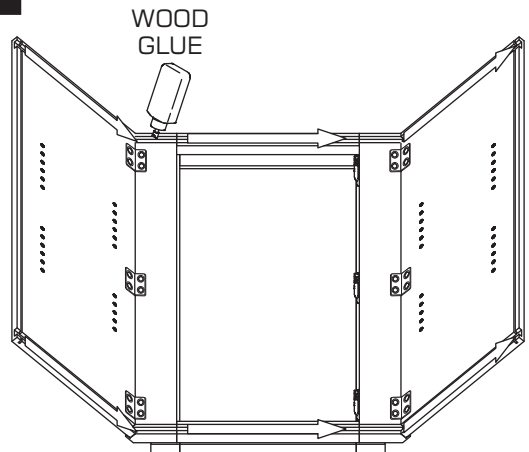
**STEP 4**



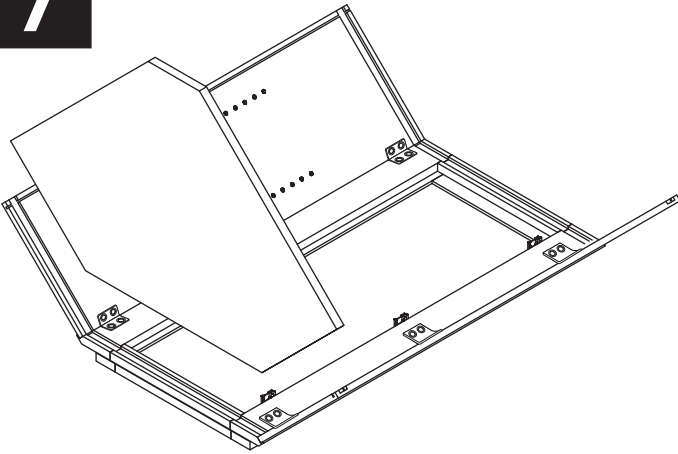
**STEP 5**



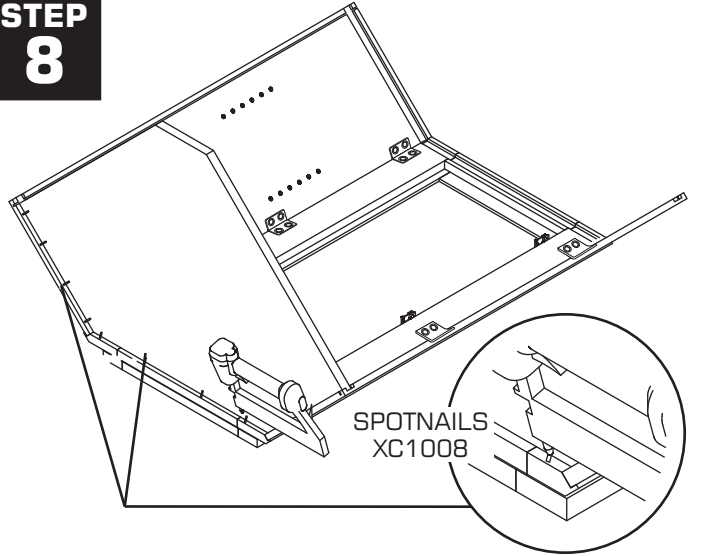
**STEP 6**



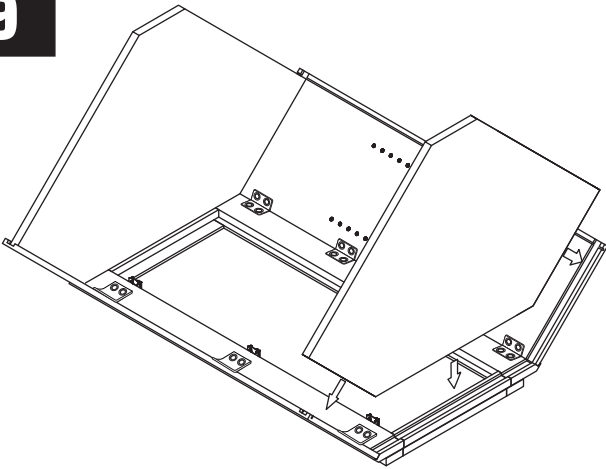
STEP  
7



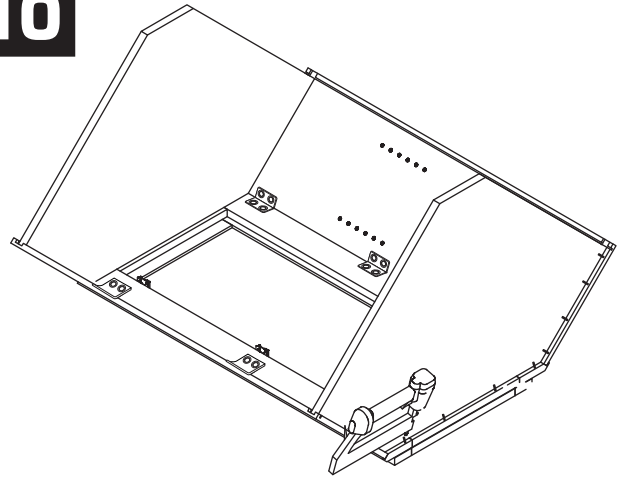
STEP  
8



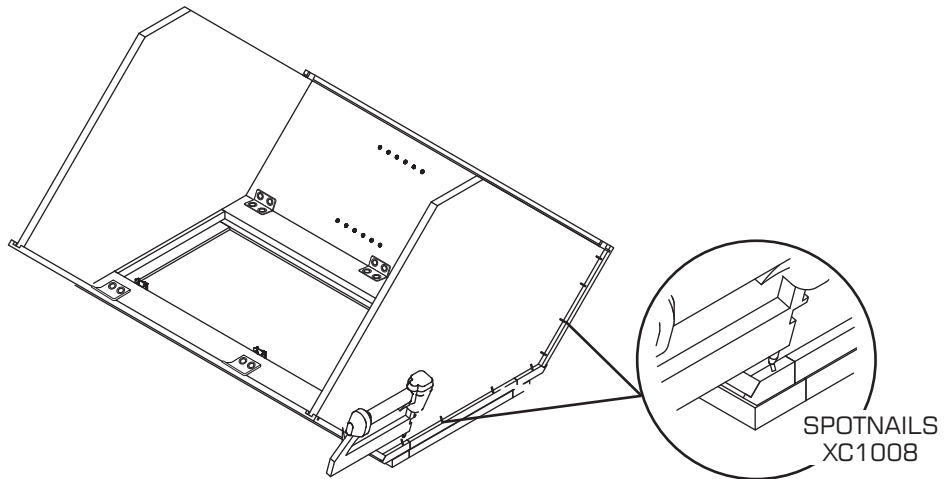
STEP  
9



STEP  
10

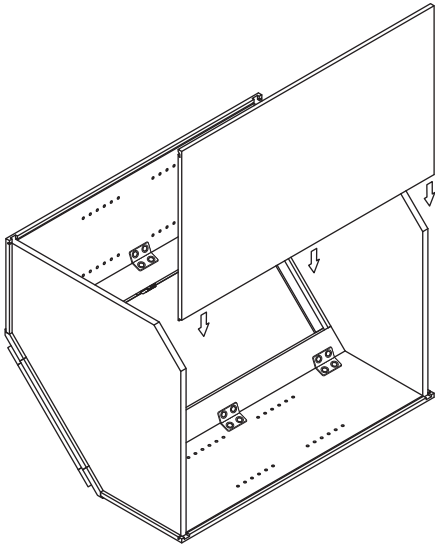


STEP  
11

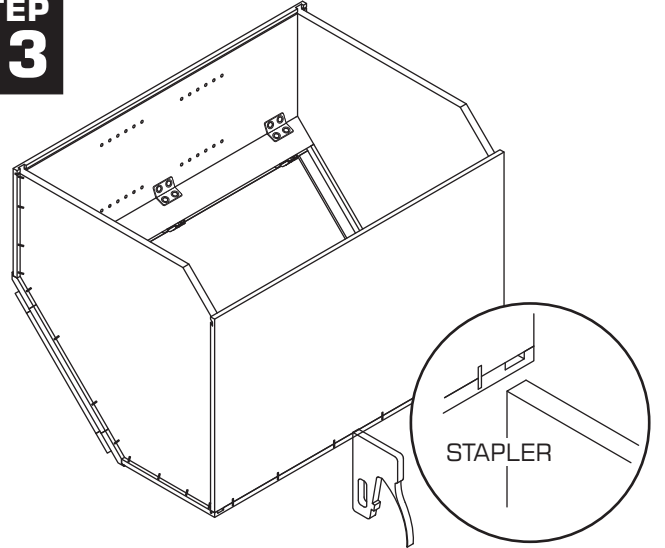




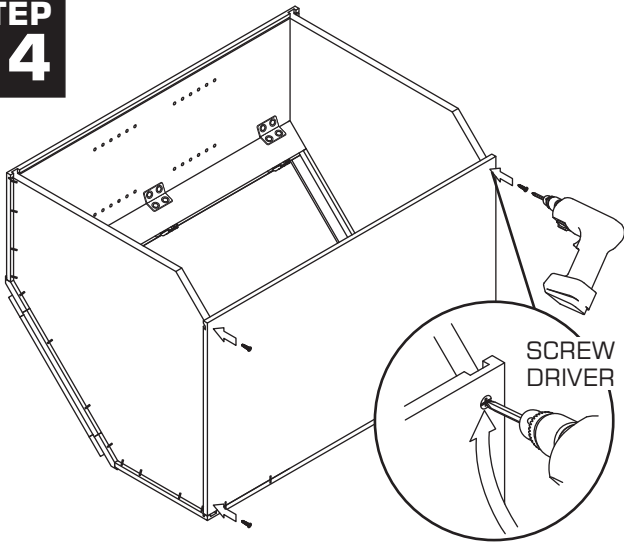
**STEP 12**



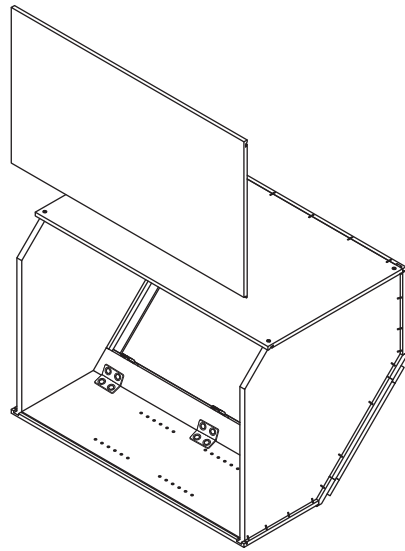
**STEP 13**



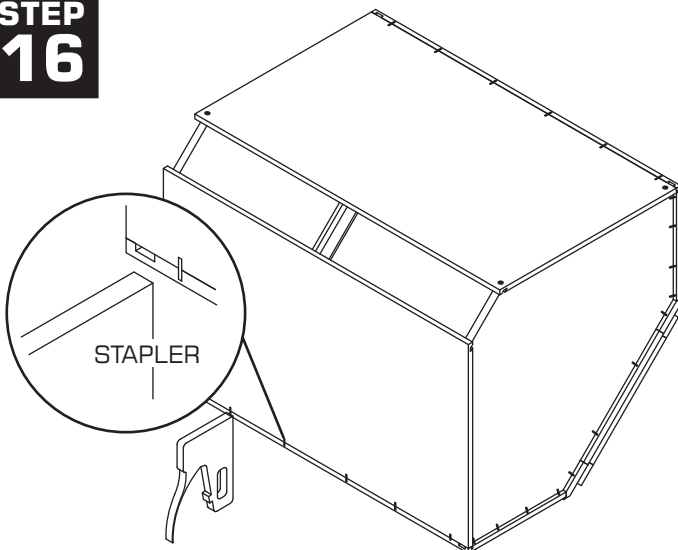
**STEP 14**



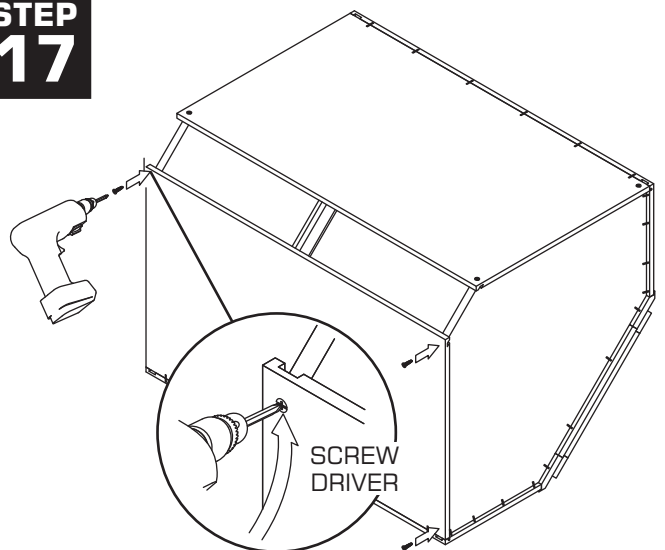
**STEP 15**



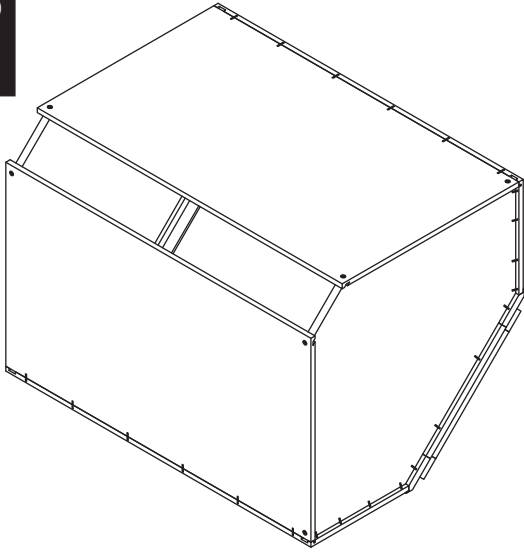
**STEP 16**



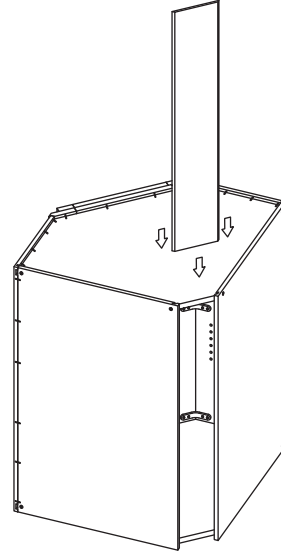
**STEP 17**



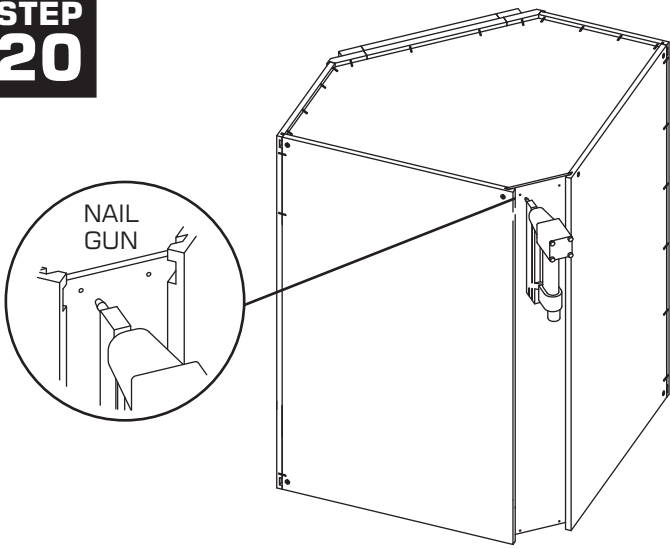
**STEP 18**



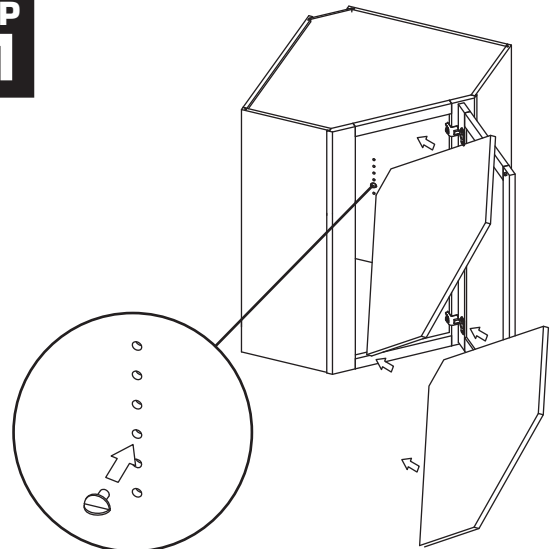
**STEP 19**



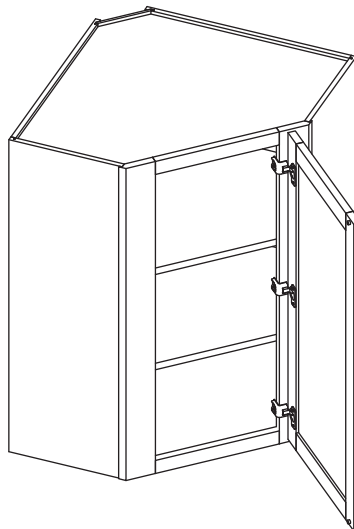
**STEP 20**



**STEP 21**

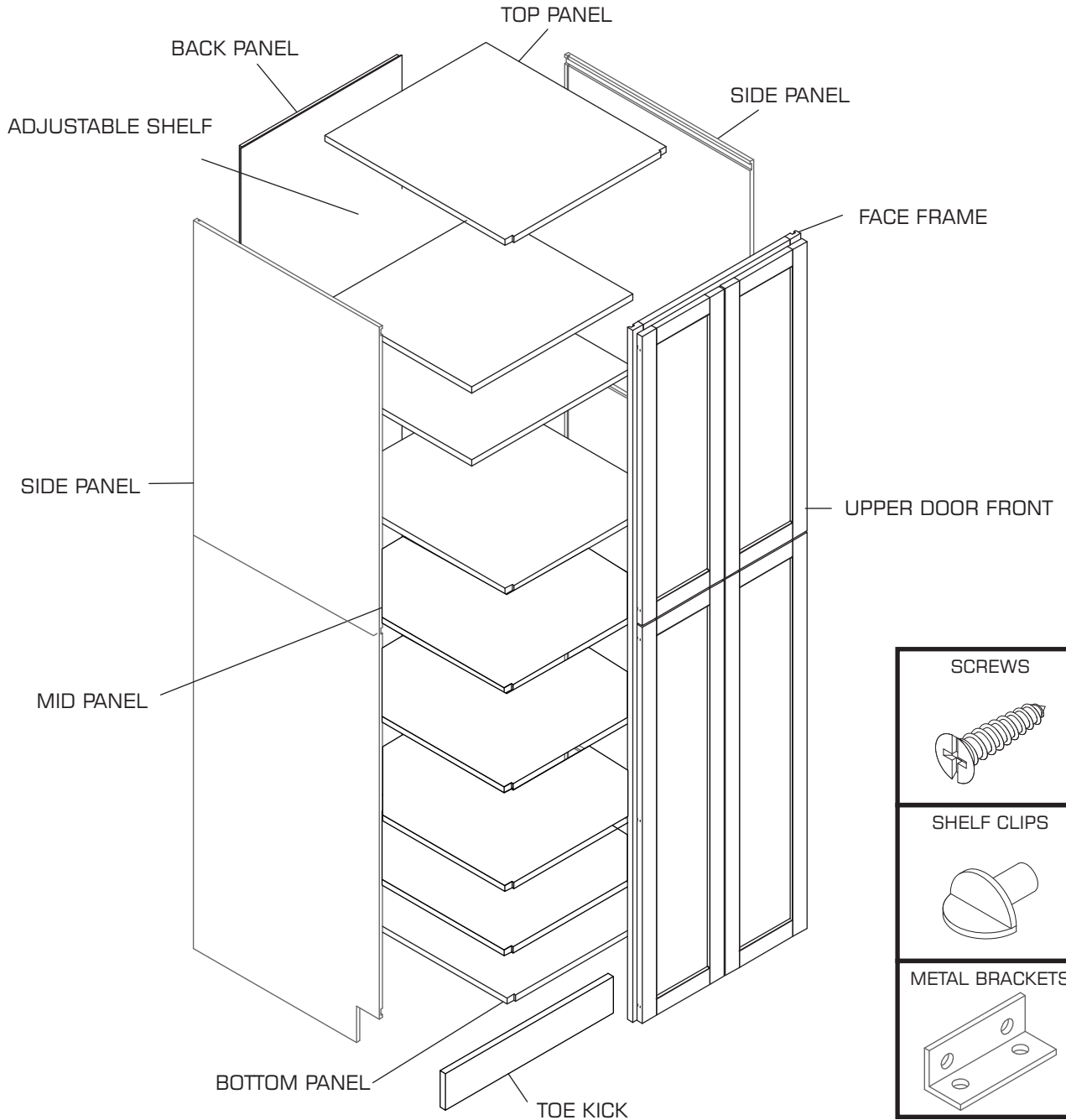


**STEP 22**



To make out the most convenience way for the installation  
 Since 2017, We made all our tall cabinets including pantry and oven into stackable structure,  
 which means they become 2 portions(upper+lower) instead of one whole piece.

# ASSEMBLING INSTRUCTIONS - TALL PANTRY

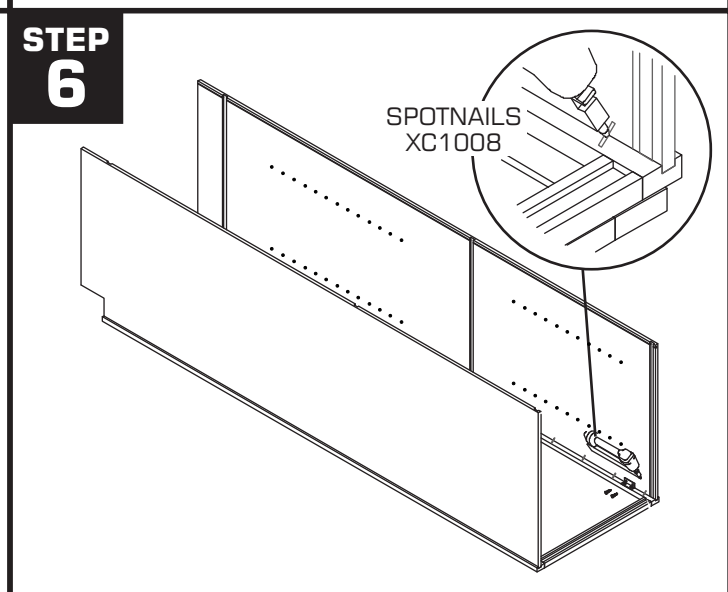
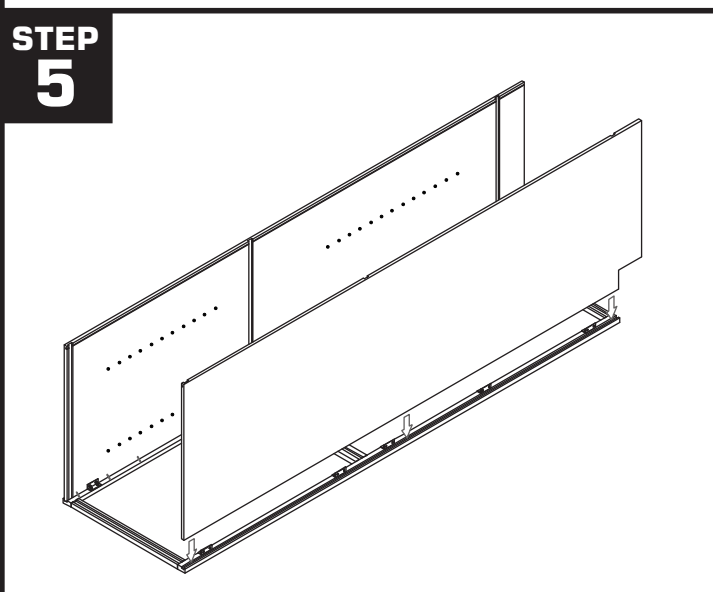
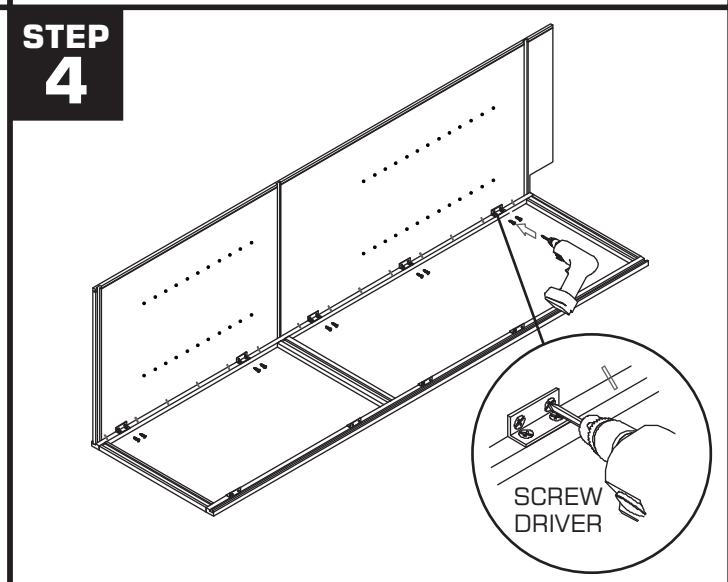
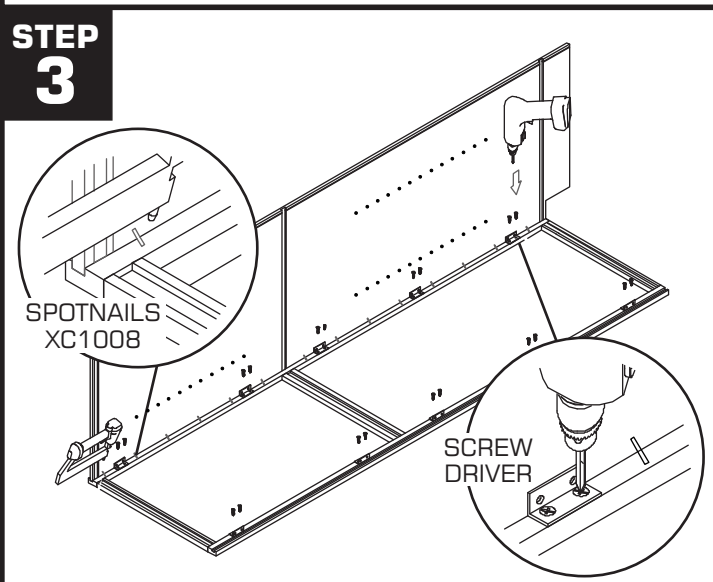
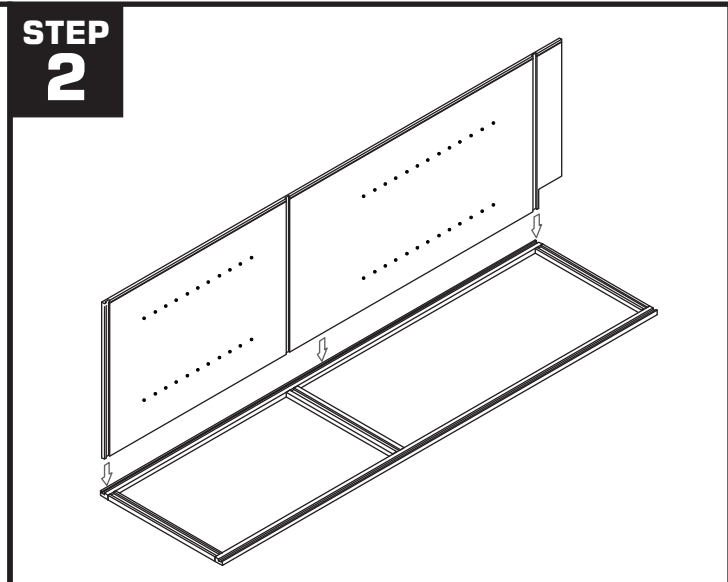
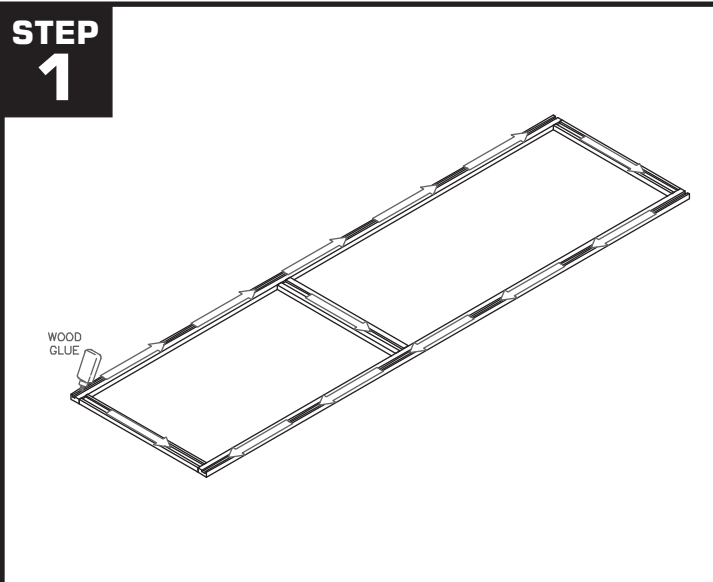


**TOOLS**

					
WOOD GLUE	SCREW DRIVER	RUBBER Mallet	NAIL GUN	STAPLER	SPOTNAILS XC1008

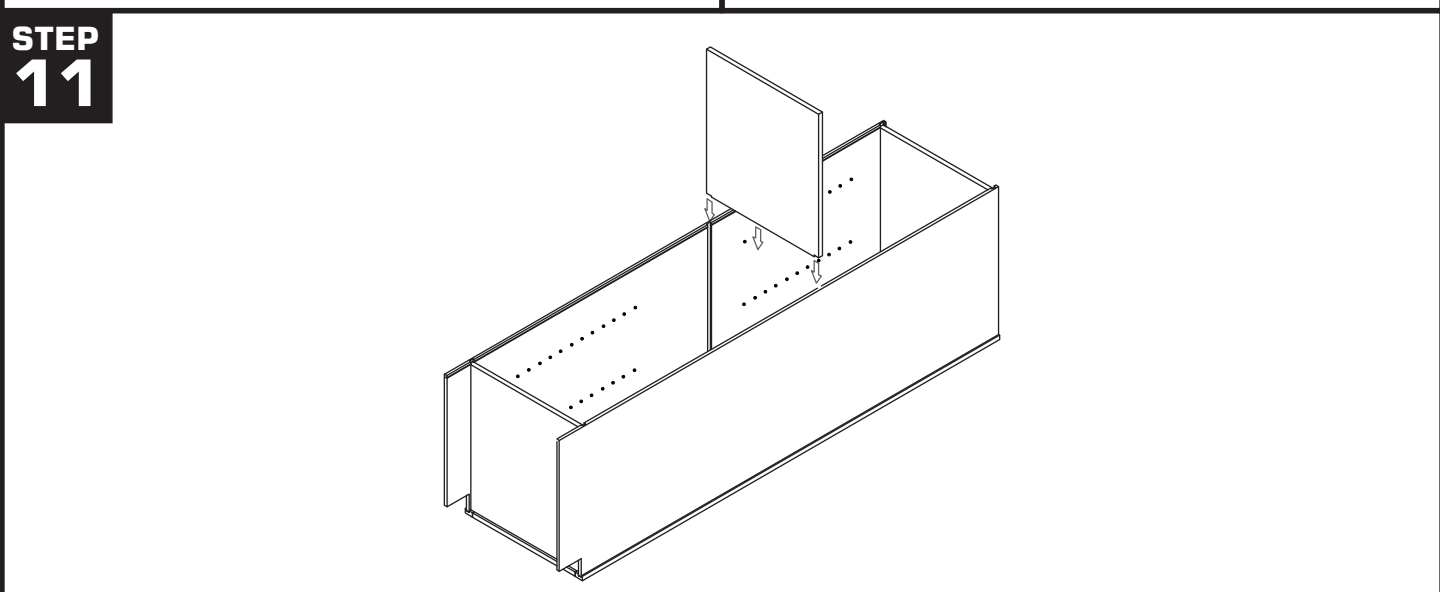
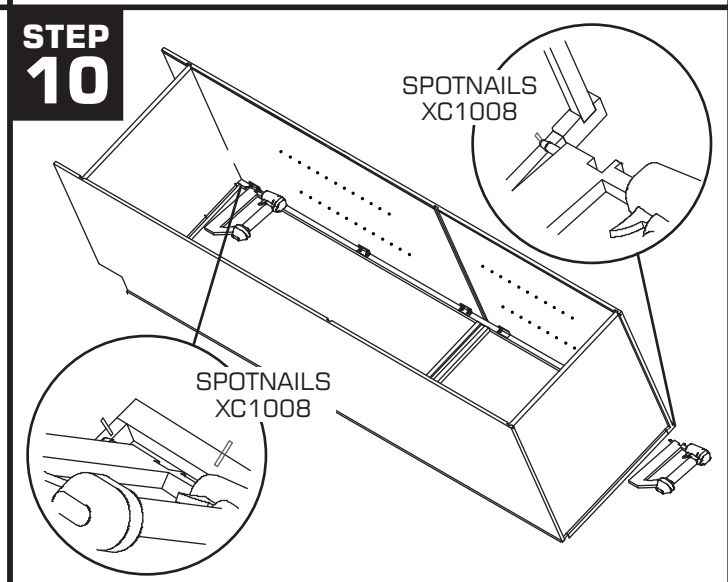
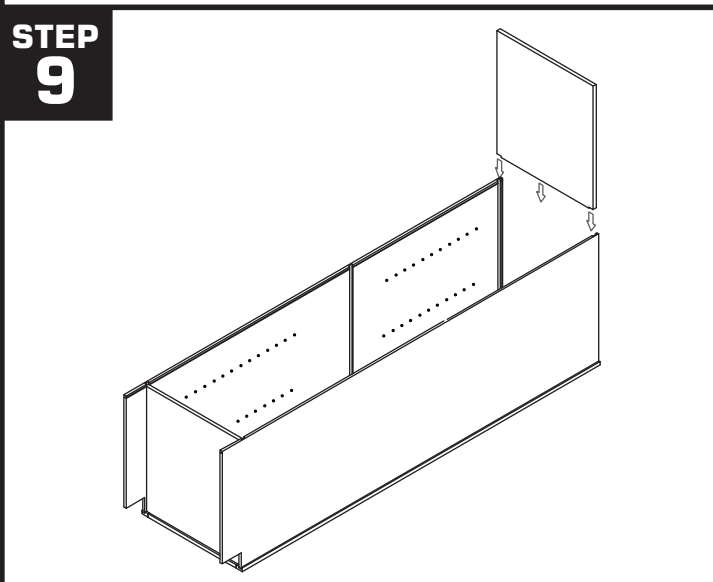
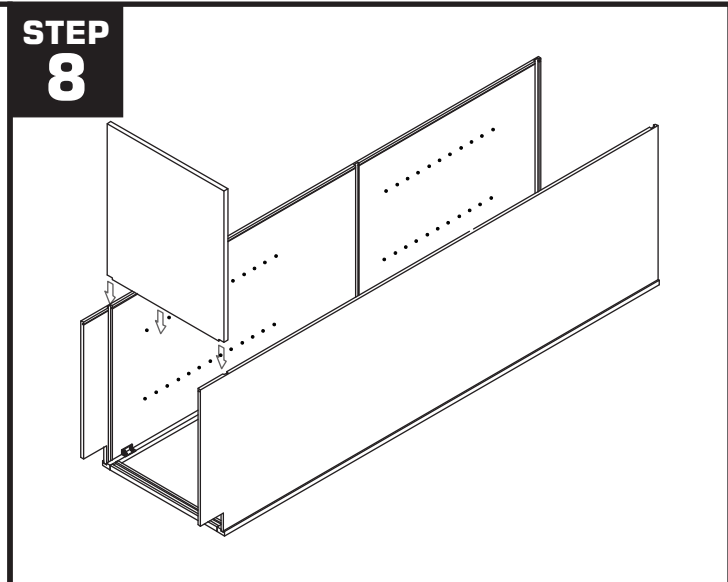
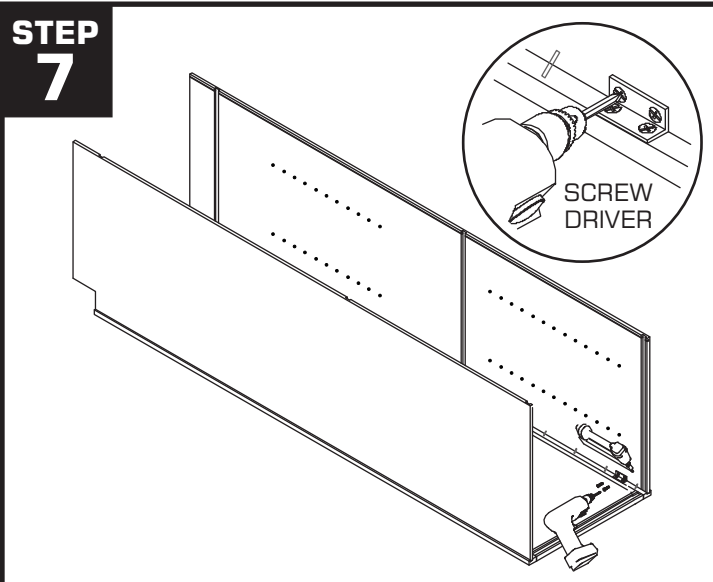
To make out the most convenience way for the installation  
 Since 2017, We made all our tall cabinets including pantry and oven into stackable structure,  
 which means they become 2 portions(upper+lower) instead of one whole piece.

PANTRY



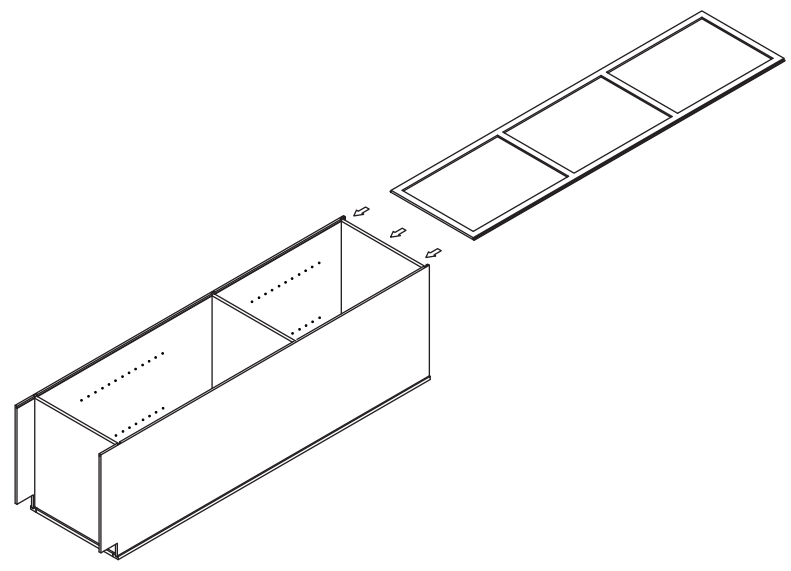
To make out the most convenience way for the installation  
Since 2017, We made all our tall cabinets including pantry and oven into stackable structure,  
which means they become 2 portions(upper+lower) instead of one whole piece.

PANTRY

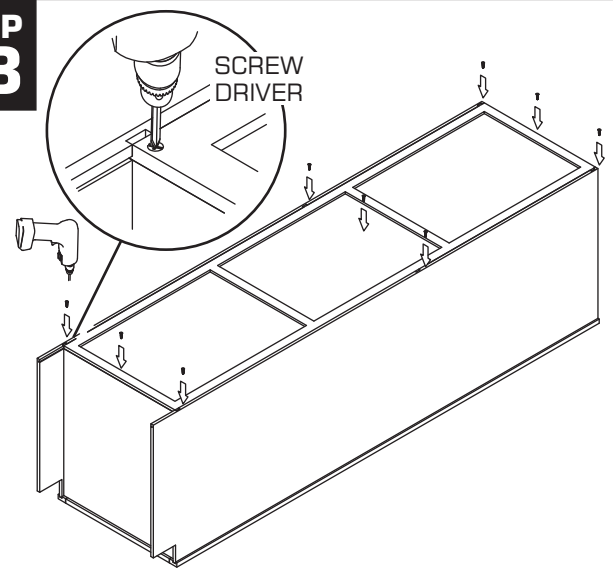


To make out the most convenience way for the installation  
Since 2017, We made all our tall cabinets including pantry and oven into stackable structure,  
which means they become 2 portions(upper+lower) instead of one whole piece.

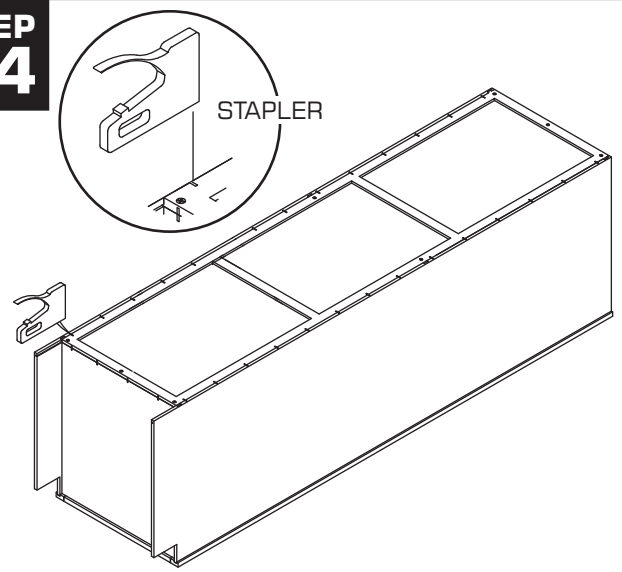
**STEP 12**



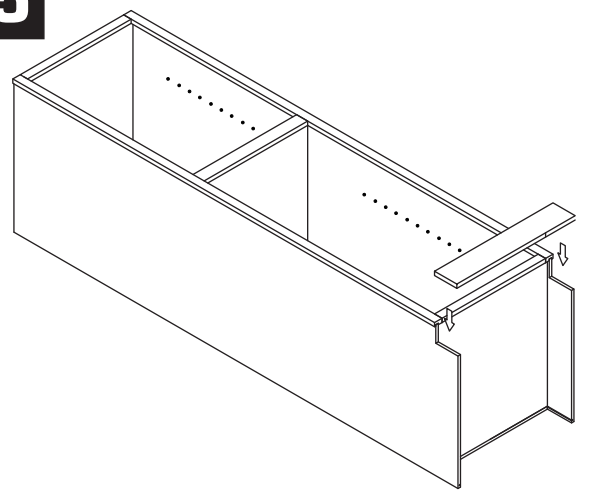
**STEP 13**



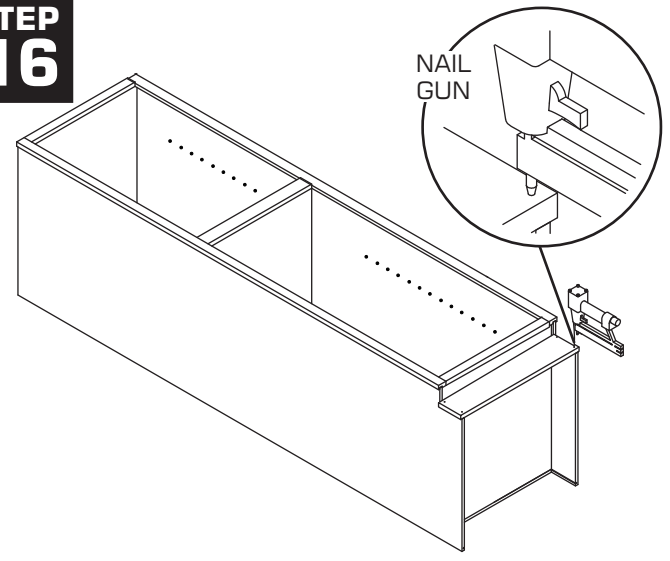
**STEP 14**



**STEP 15**

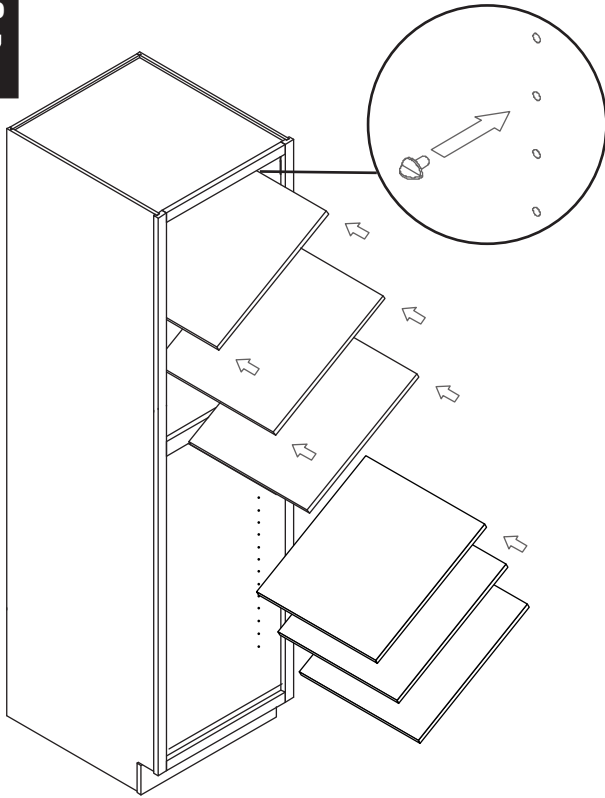


**STEP 16**

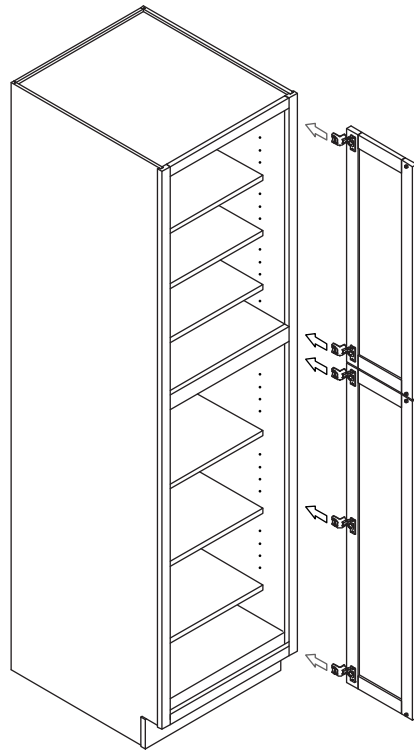


To make out the most convenience way for the installation  
Since 2017, We made all our tall cabinets including pantry and oven into stackable structure,  
which means they become 2 portions(upper+lower) instead of one whole piece.

**STEP  
17**

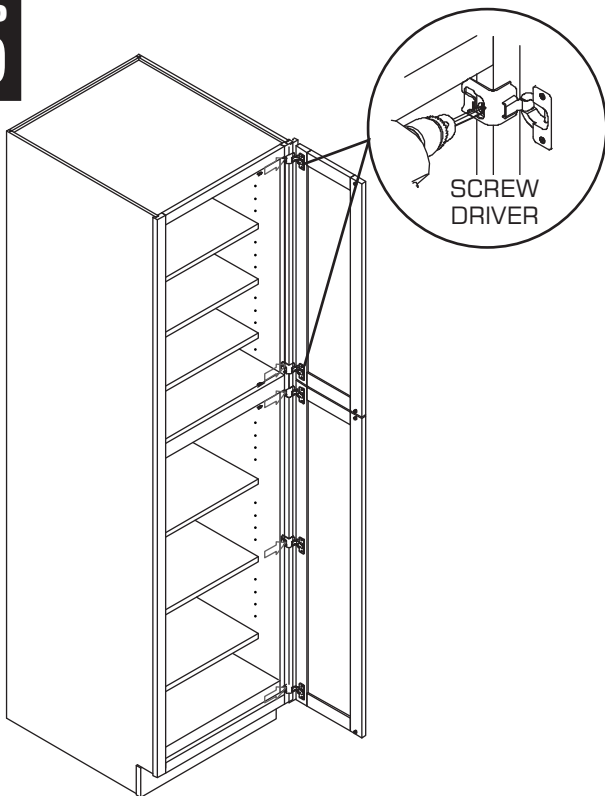


**STEP  
18**

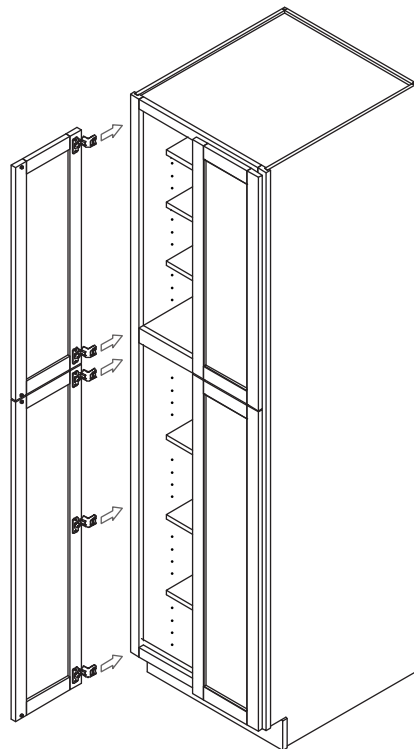


**PANTRY**

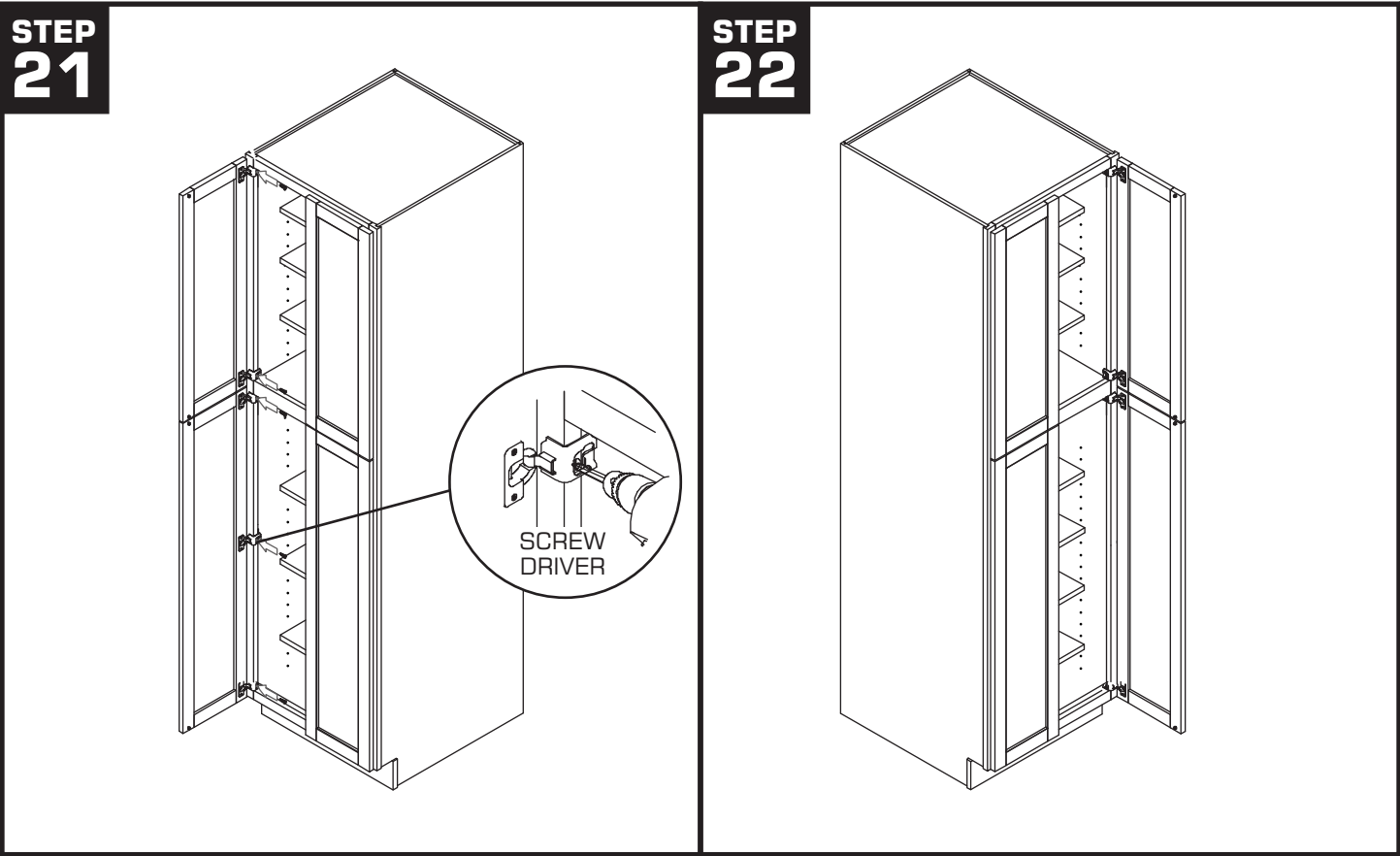
**STEP  
19**



**STEP  
20**



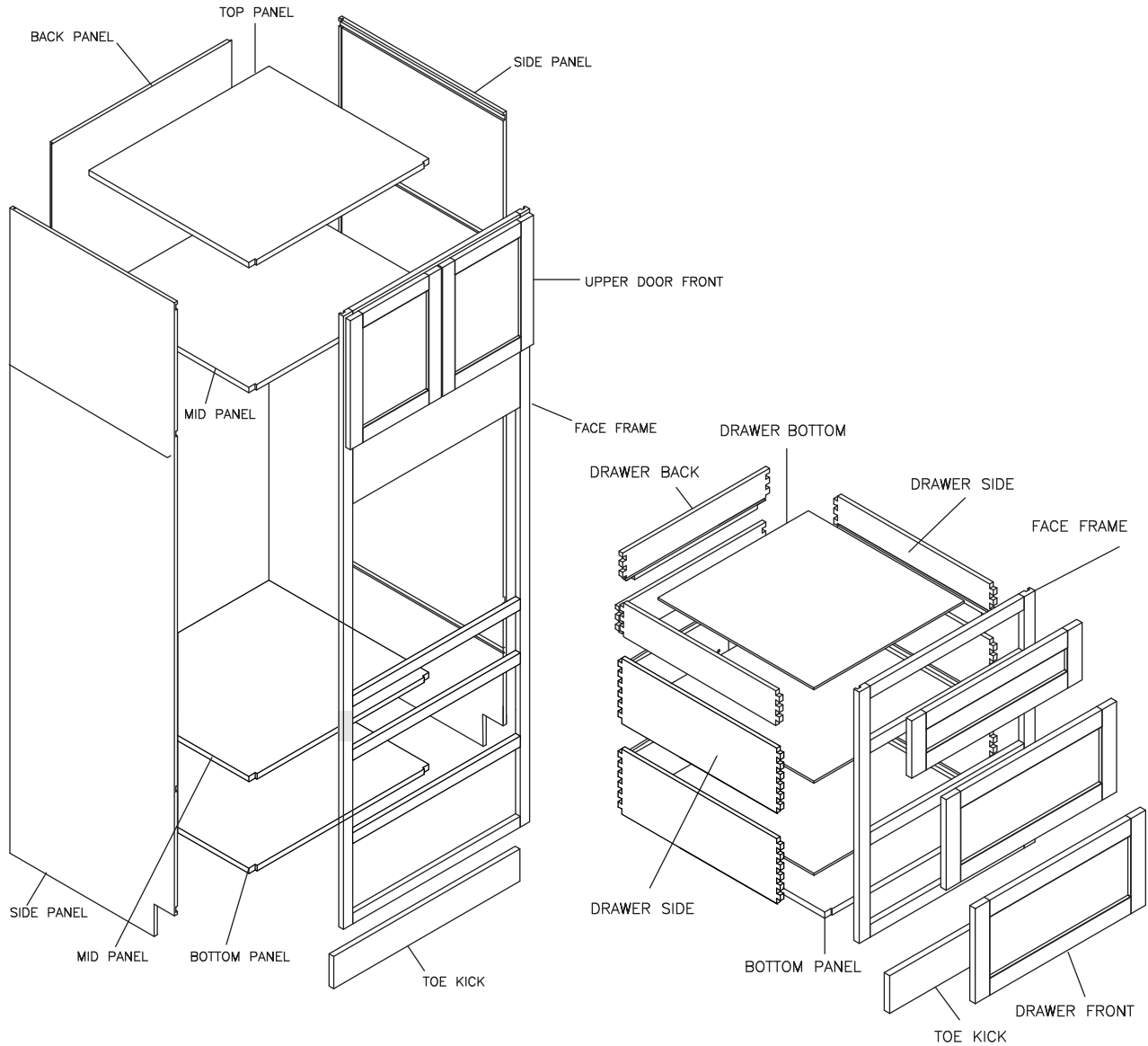
To make out the most convenience way for the installation  
Since 2017, We made all our tall cabinets including pantry and oven into stackable structure,  
which means they become 2 portions(upper+lower) instead of one whole piece.





To make out the most convenience way for the installation  
 Since 2017, We made all our tall cabinets including pantry and oven into stackable structure,  
 which means they become 2 portions(upper+lower) instead of one whole piece.

**ASSEMBLING INSTRUCTIONS - OVEN CABINET**



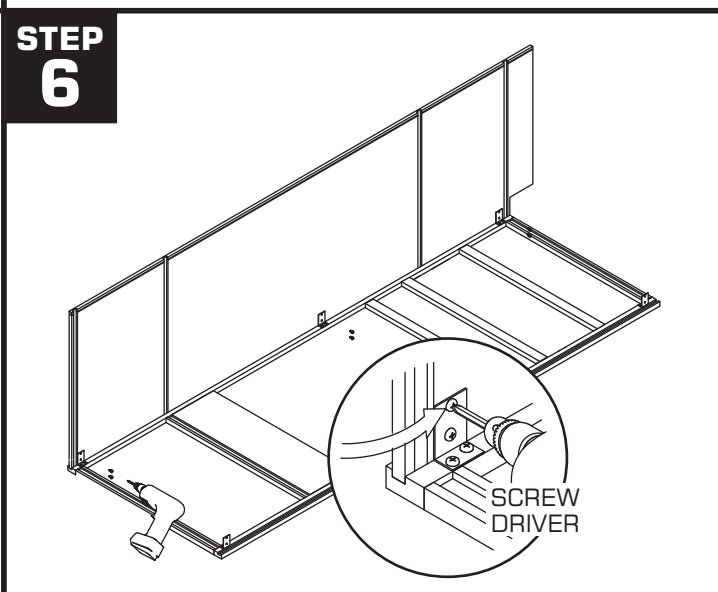
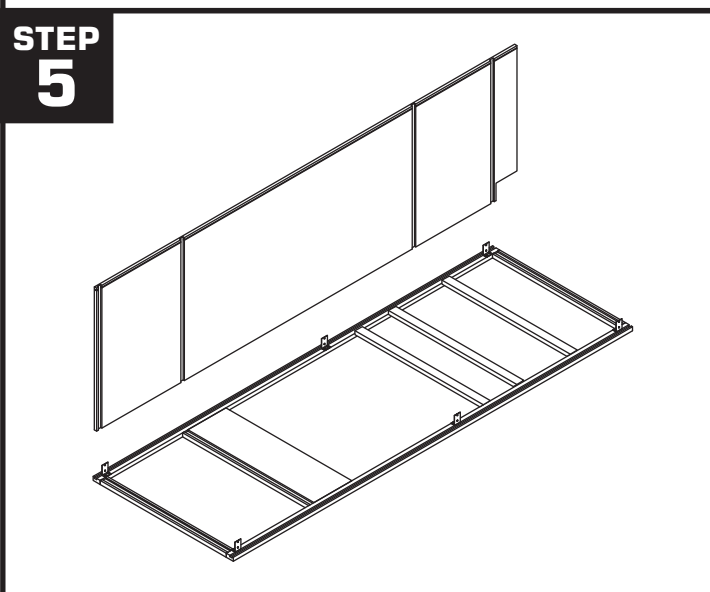
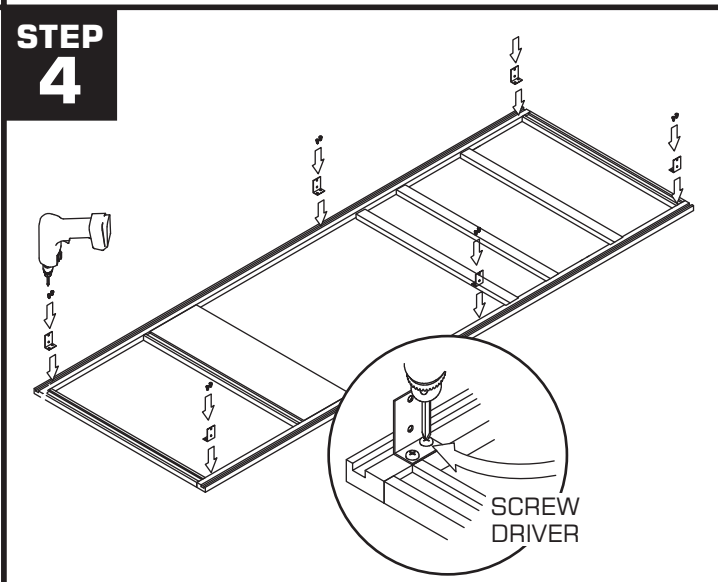
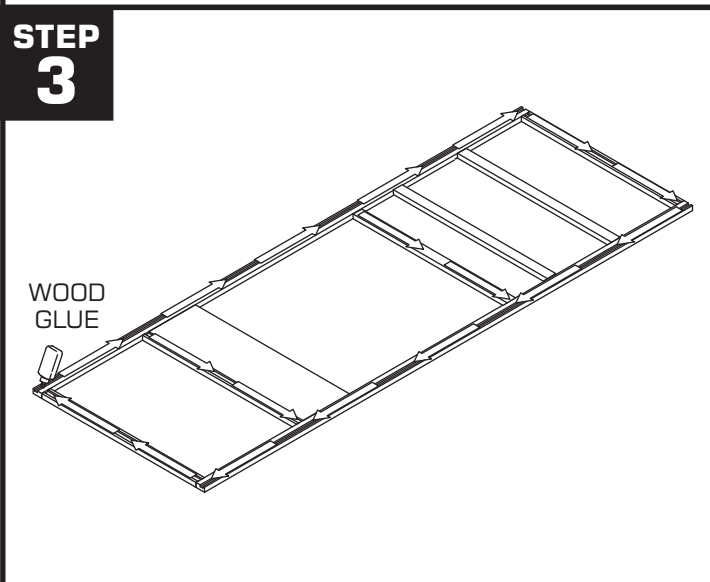
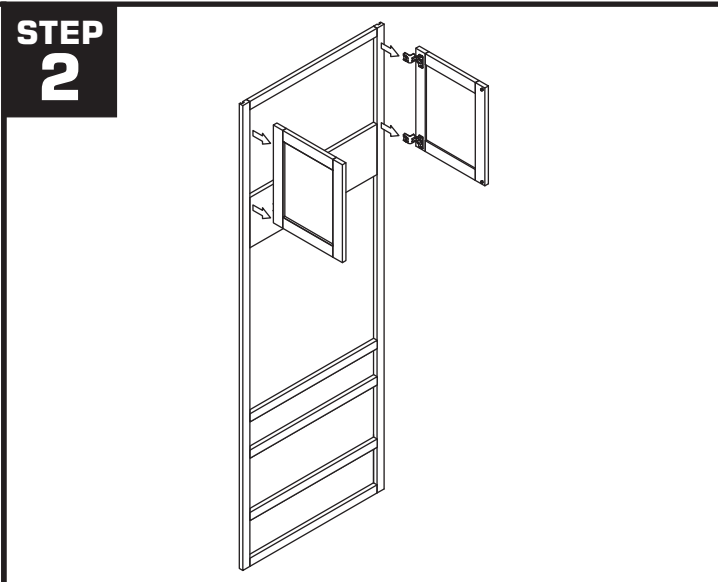
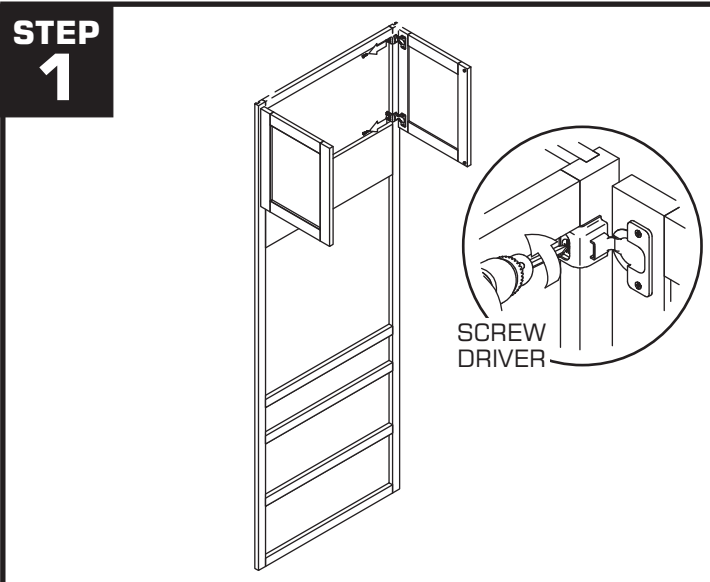
<p><b>GLIDES</b></p>	<p><b>METAL BRACKETS</b></p>	<p><b>SCREWS</b></p>	<p><b>GLIDE SUPPORTS</b></p>
----------------------	------------------------------	----------------------	------------------------------

**TOOLS**

<p>WOOD GLUE</p>	<p>SCREW DRIVER</p>	<p>RUBBER Mallet</p>	<p>NAIL GUN</p>	<p>STAPLER</p>	<p>SPOTNAILS XC1008</p>
------------------	---------------------	----------------------	-----------------	----------------	-------------------------

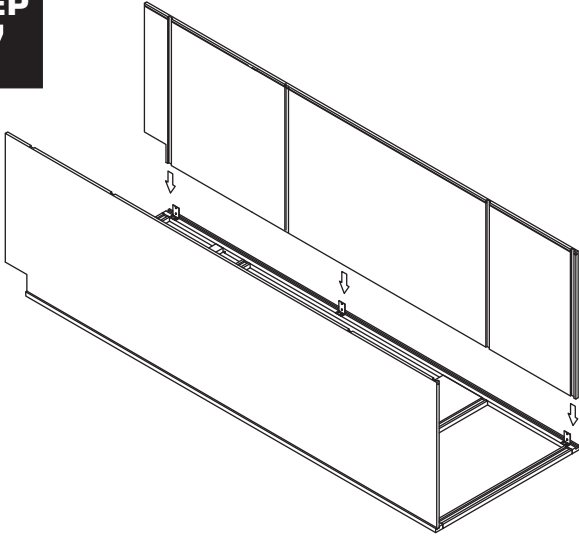
To make out the most convenience way for the installation  
Since 2017, We made all our tall cabinets including pantry and oven into stackable structure,  
which means they become 2 portions(upper+lower) instead of one whole piece.

**OVEN CABINET**

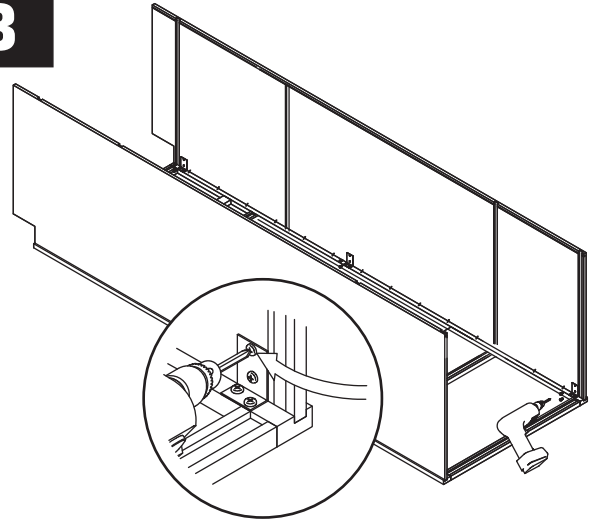


To make out the most convenience way for the installation  
Since 2017, We made all our tall cabinets including pantry and oven into stackable structure,  
which means they become 2 portions(upper+lower) instead of one whole piece.

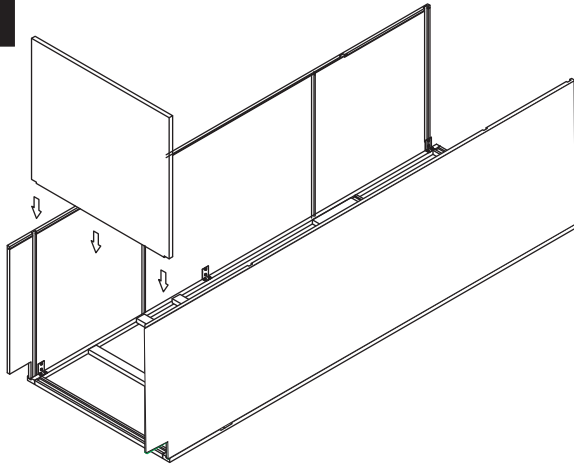
STEP  
7



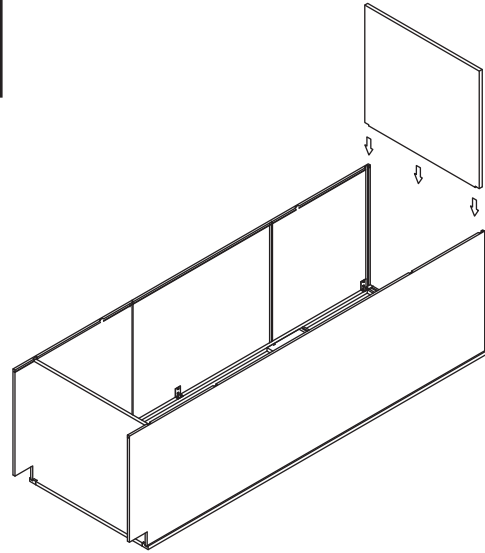
STEP  
8



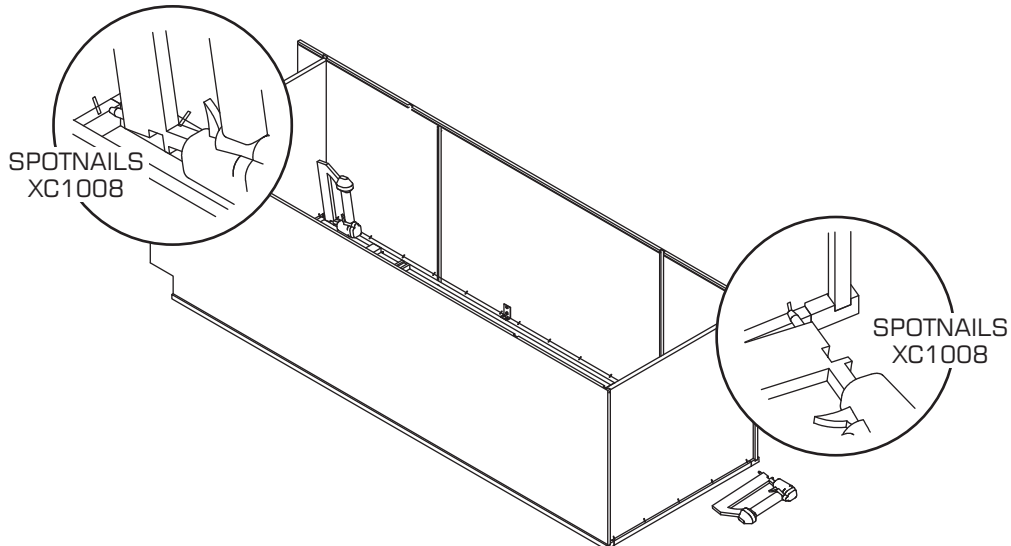
STEP  
9



STEP  
10

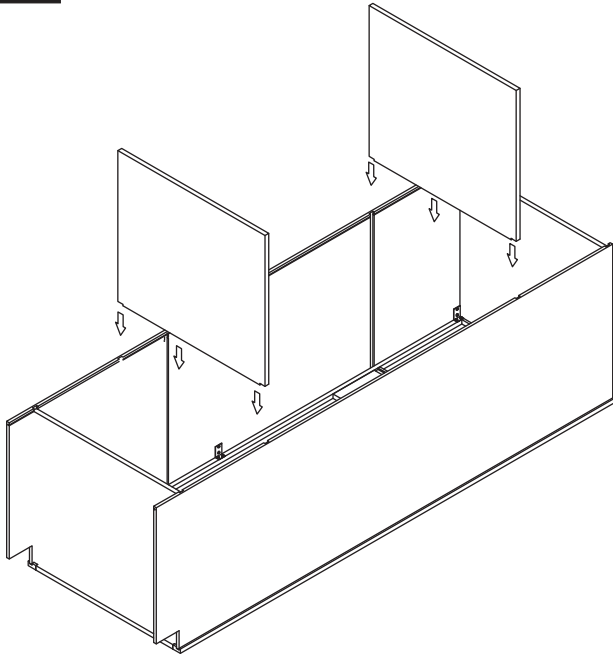


STEP  
11

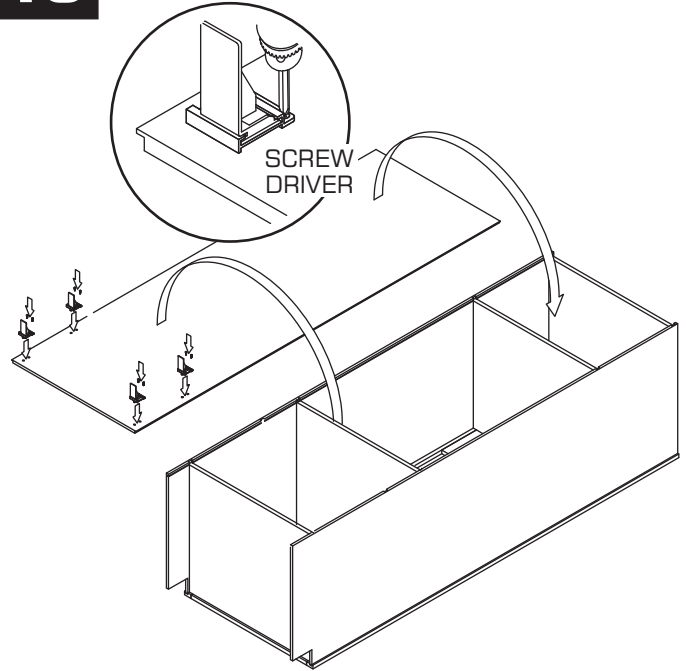


To make out the most convenience way for the installation  
Since 2017, We made all our tall cabinets including pantry and oven into stackable structure,  
which means they become 2 portions(upper+lower) instead of one whole piece.

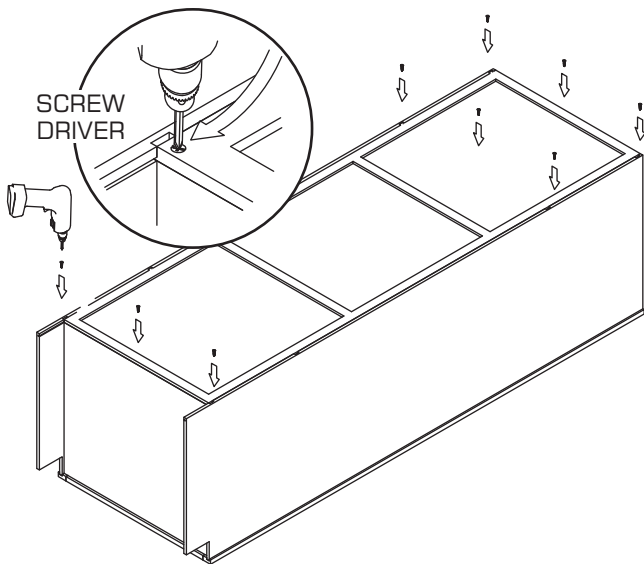
**STEP  
12**



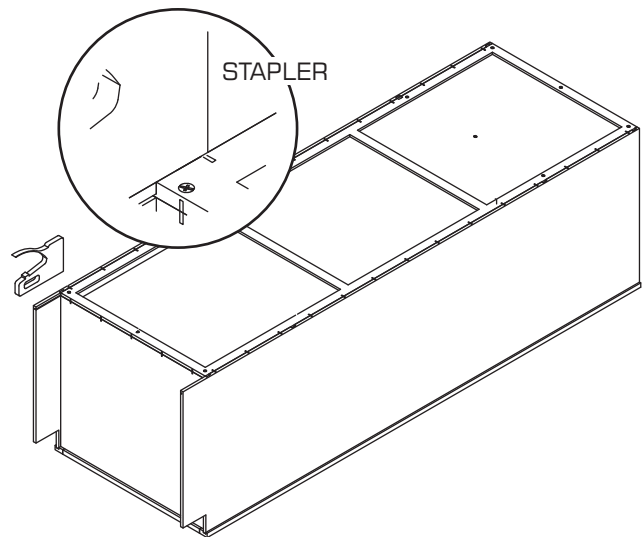
**STEP  
13**



**STEP  
14**



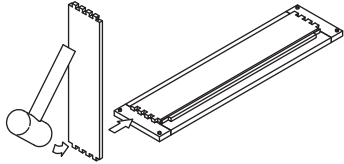
**STEP  
15**



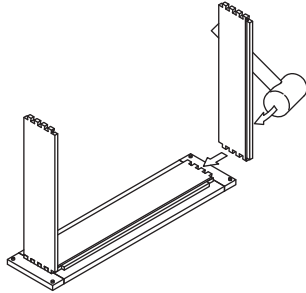
**OVEN CABINET**

To make out the most convenience way for the installation  
Since 2017, We made all our tall cabinets including pantry and oven into stackable structure,  
which means they become 2 portions(upper+lower) instead of one whole piece.

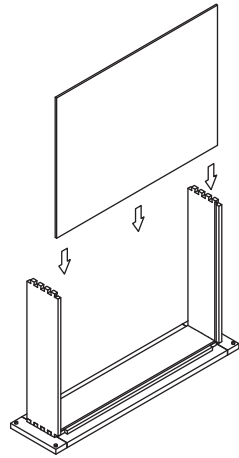
**STEP 16**



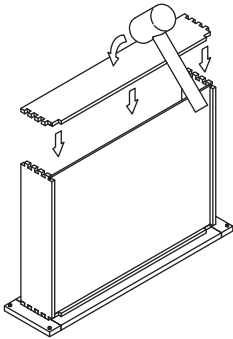
**STEP 17**



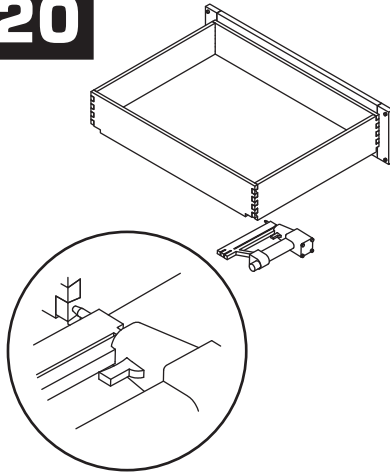
**STEP 18**



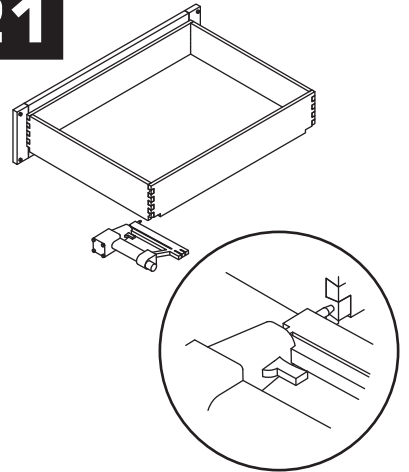
**STEP 19**



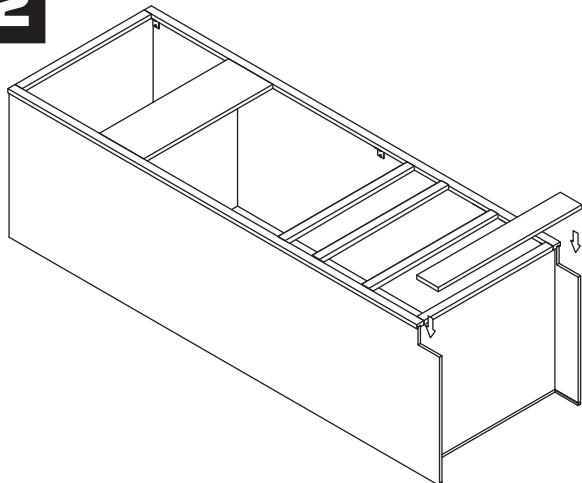
**STEP 20**



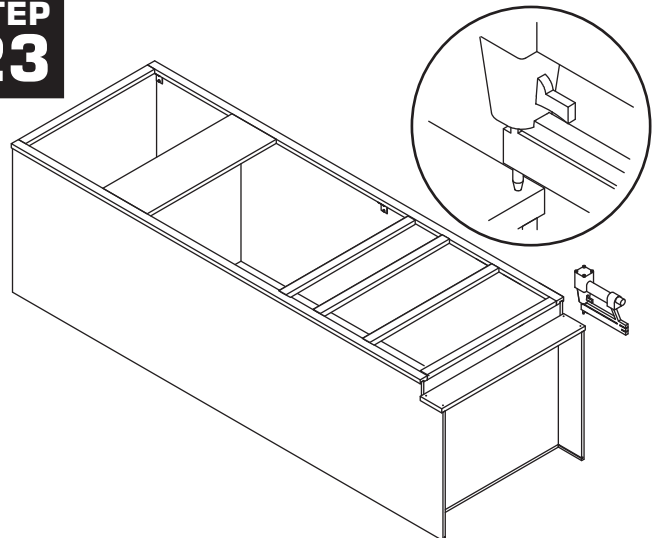
**STEP 21**



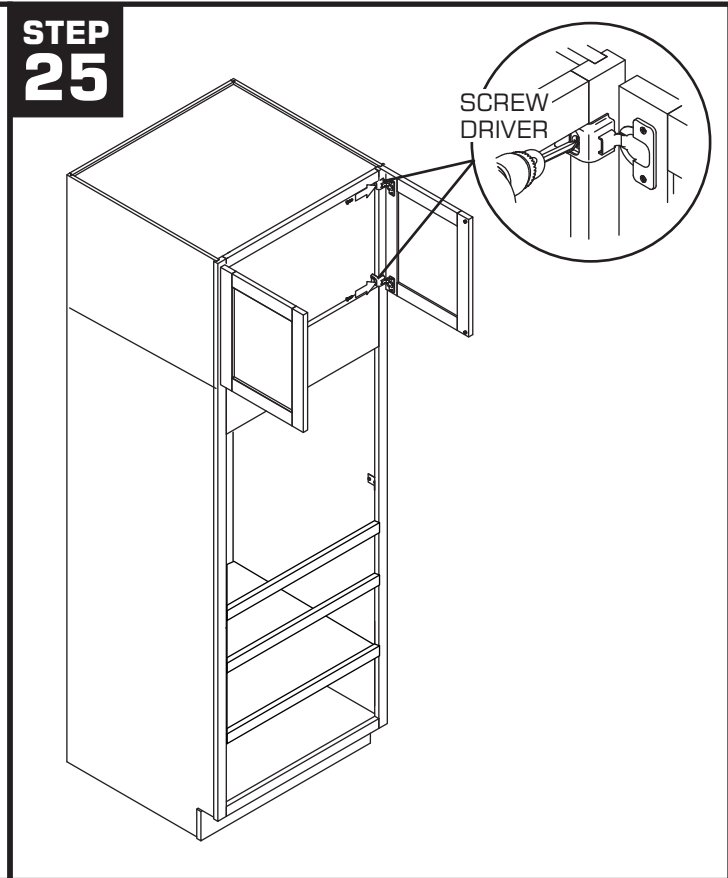
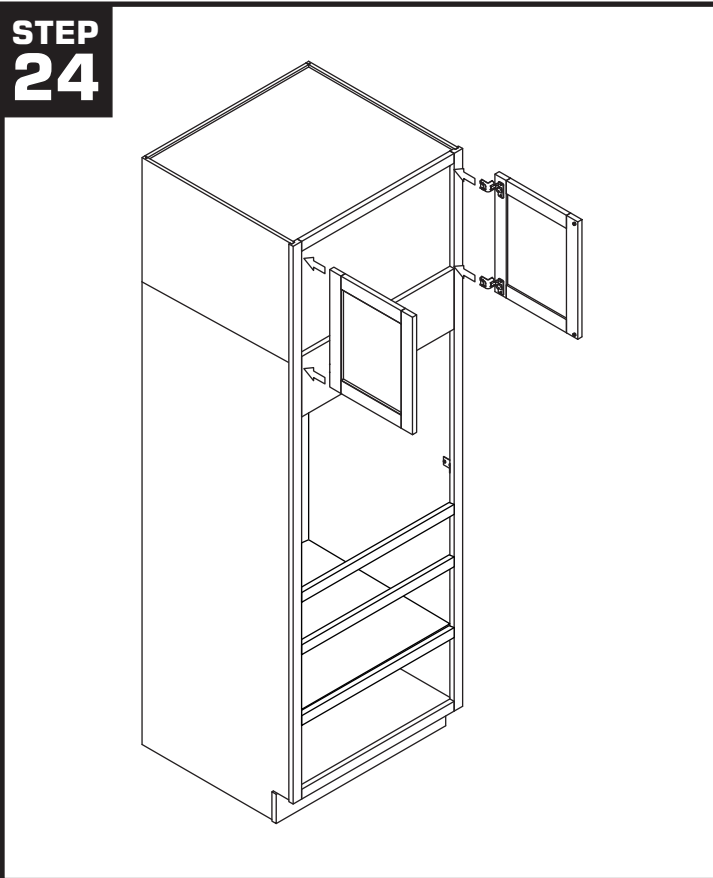
**STEP 22**



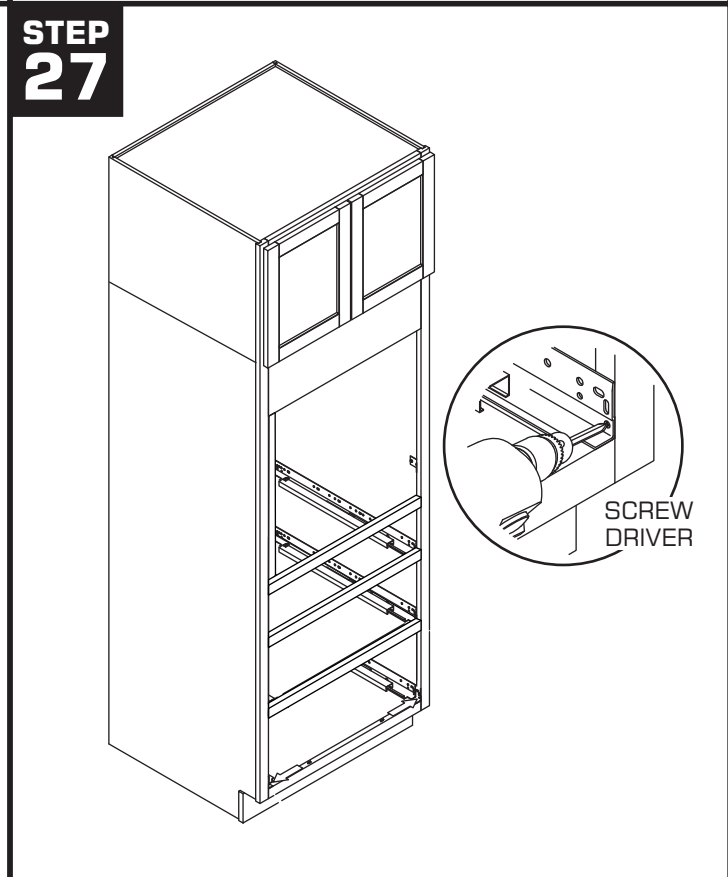
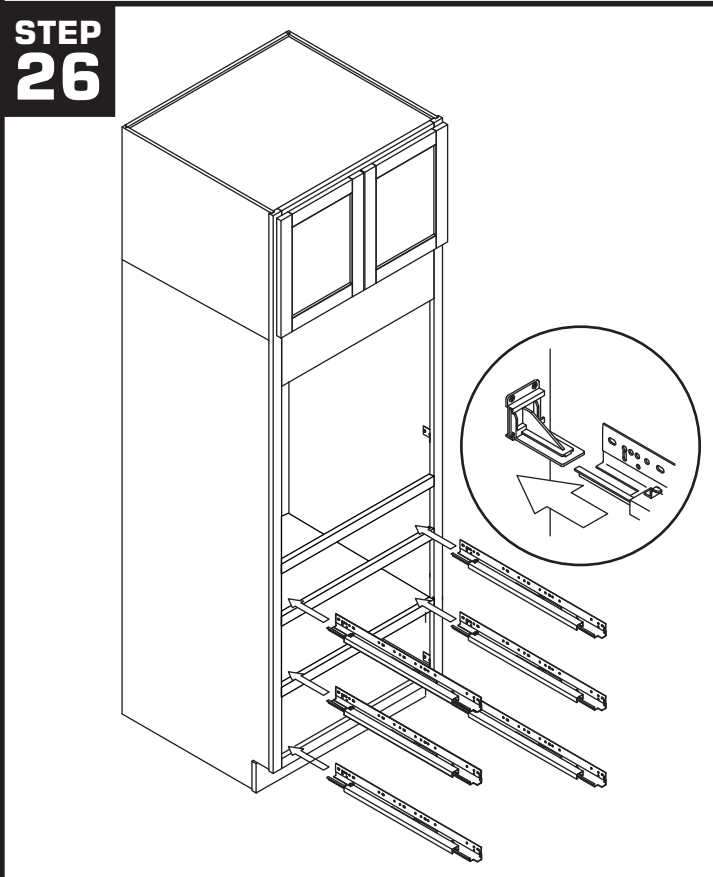
**STEP 23**



To make out the most convenience way for the installation  
Since 2017, We made all our tall cabinets including pantry and oven into stackable structure,  
which means they become 2 portions(upper+lower) instead of one whole piece.

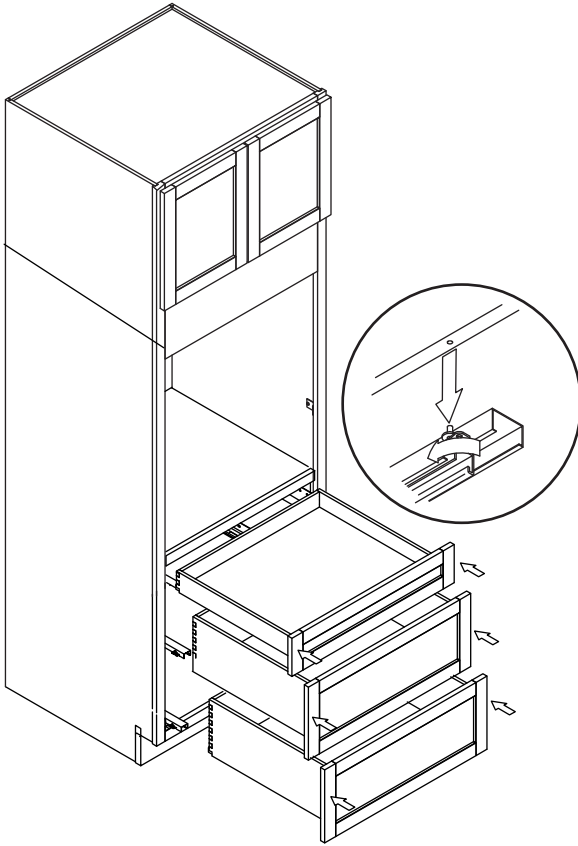


**OVEN CABINET**

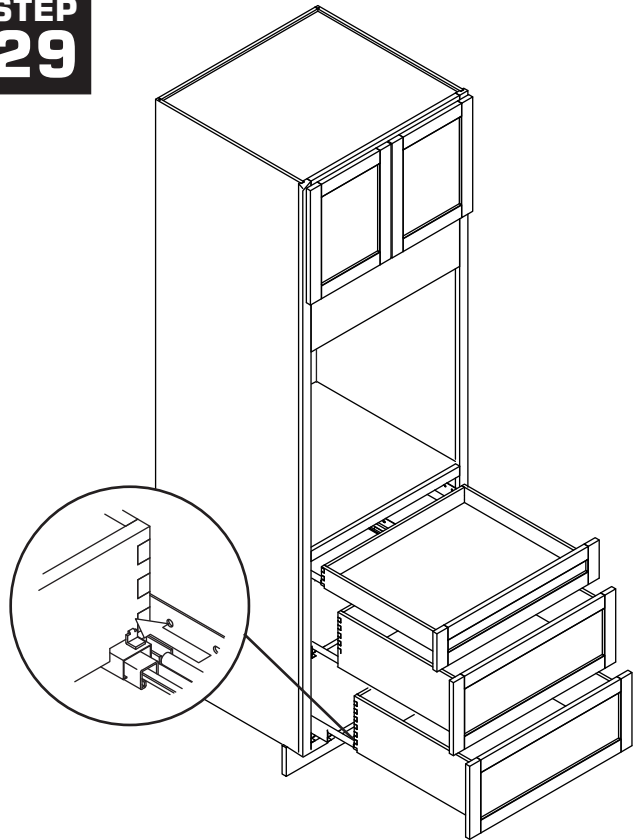


To make out the most convenience way for the installation  
Since 2017, We made all our tall cabinets including pantry and oven into stackable structure,  
which means they become 2 portions(upper+lower) instead of one whole piece.

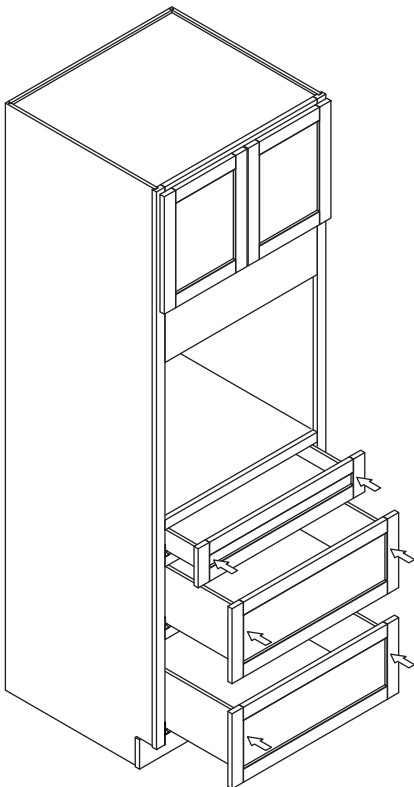
**STEP  
28**



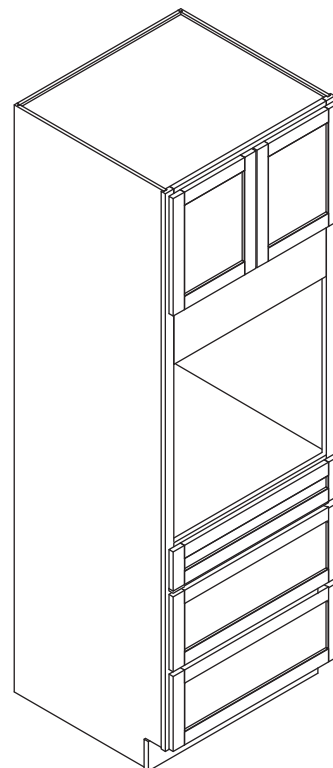
**STEP  
29**



**STEP  
30**

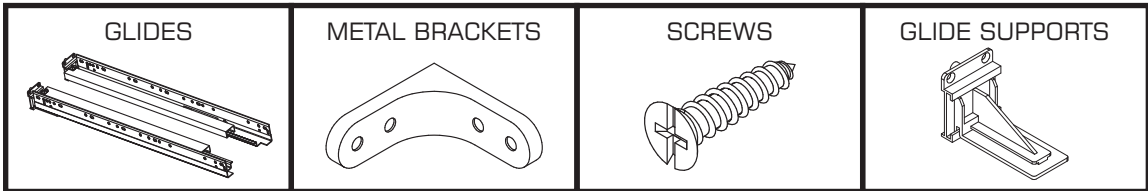
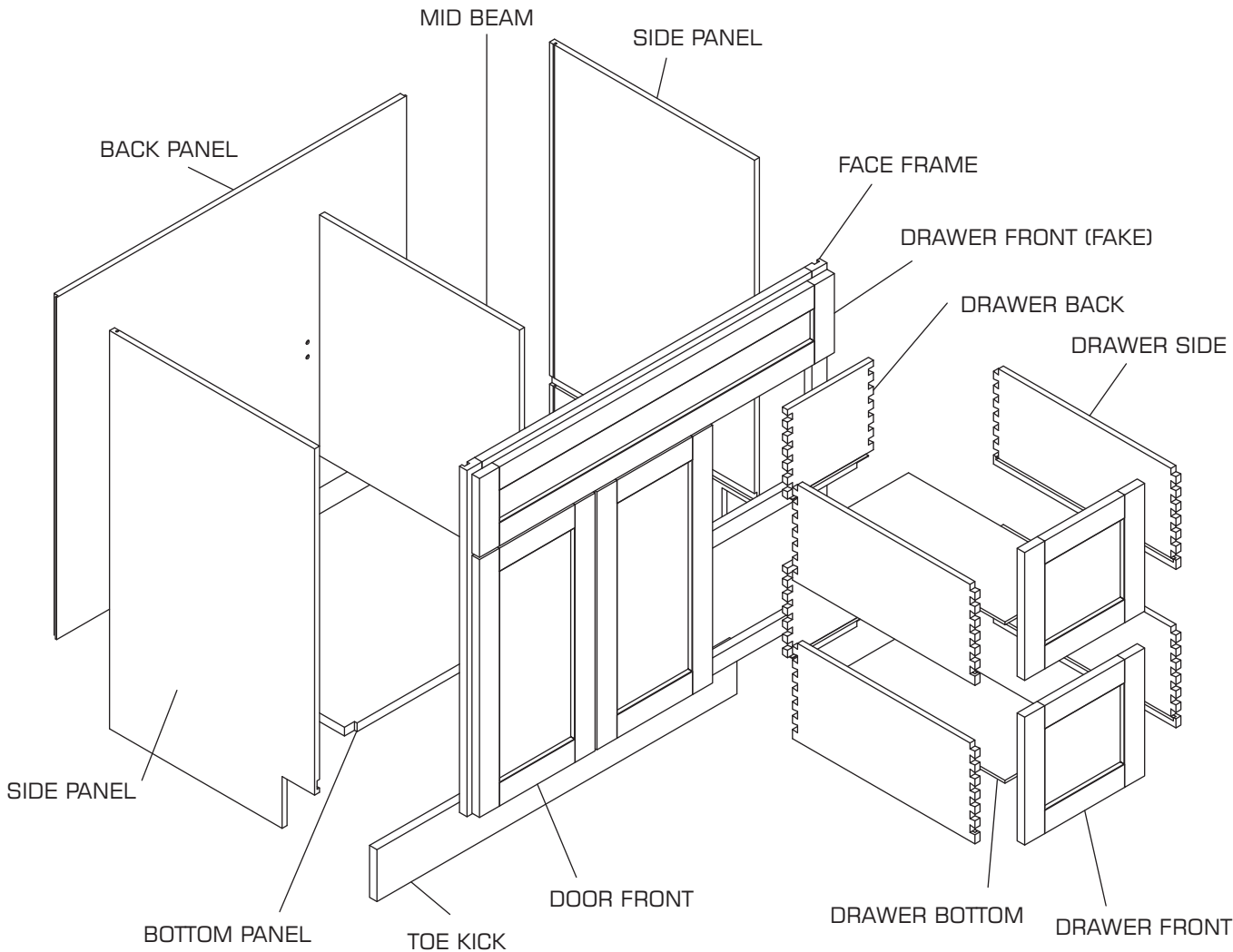


**STEP  
31**



**OVEN CABINET**

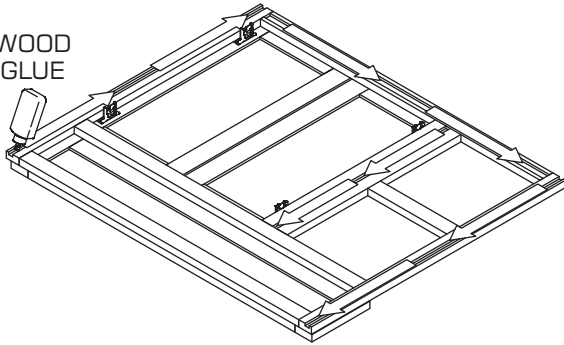
# ASSEMBLING INSTRUCTIONS - VANITY CABINET



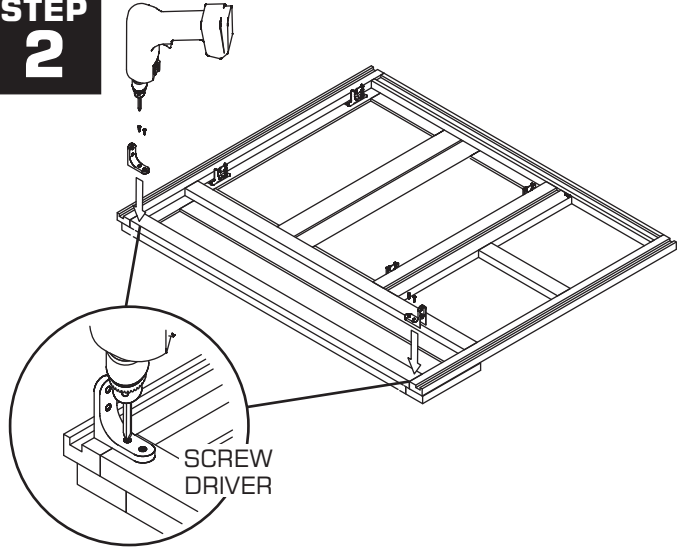


**STEP 1**

WOOD  
GLUE

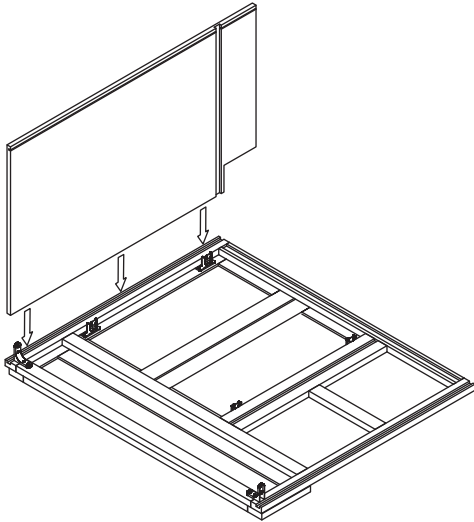


**STEP 2**

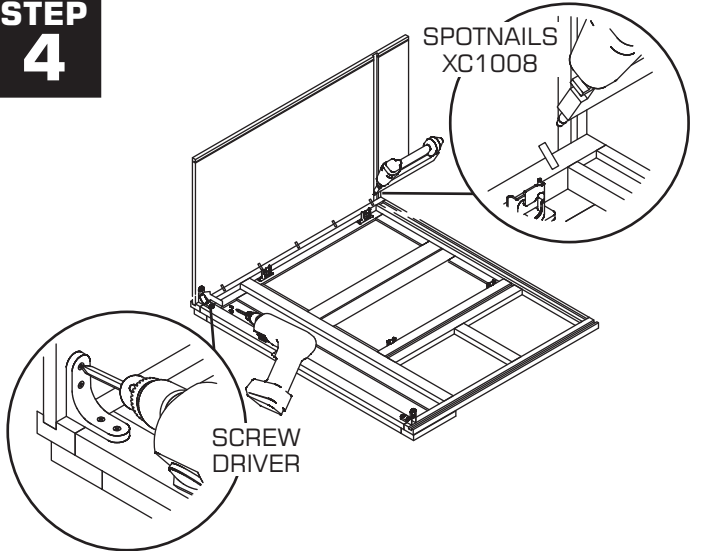


SCREW  
DRIVER

**STEP 3**



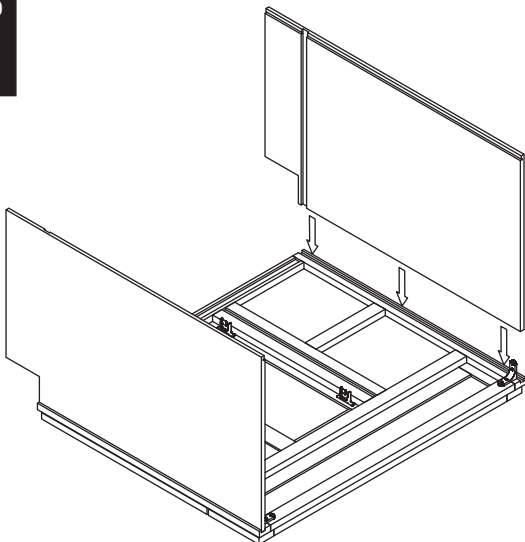
**STEP 4**



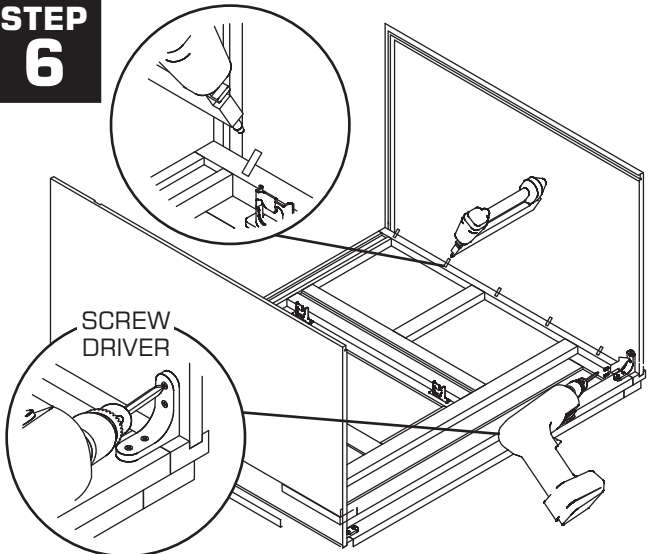
SPOTNAILS  
XC1008

SCREW  
DRIVER

**STEP 5**

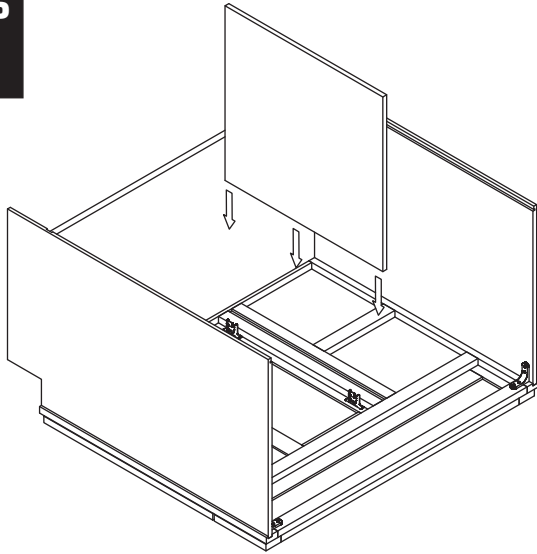


**STEP 6**

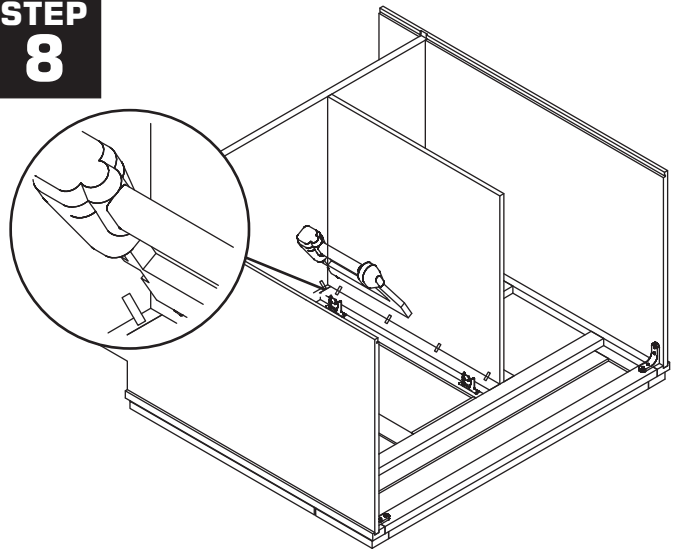


SCREW  
DRIVER

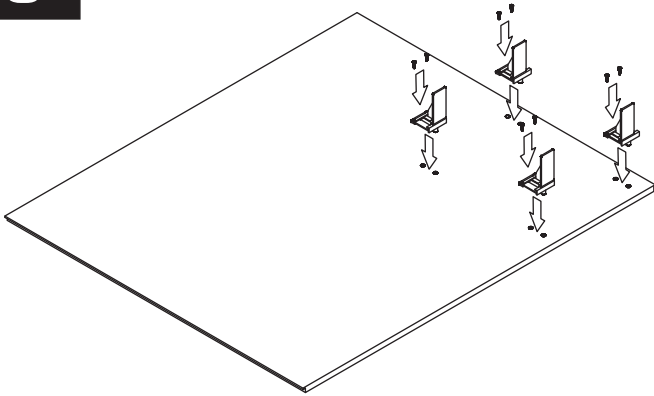
STEP 7



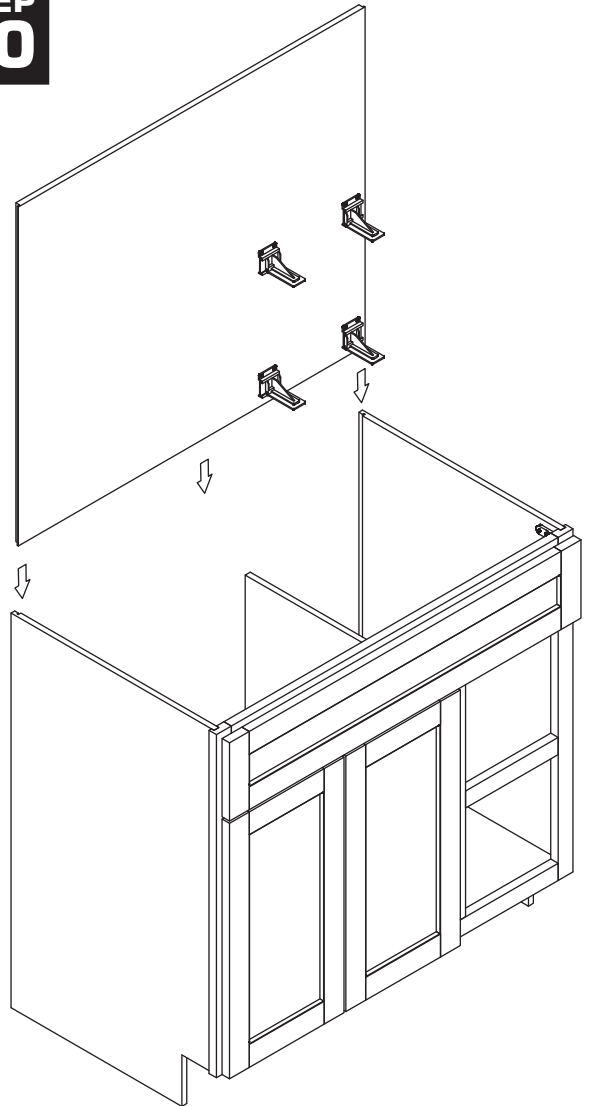
STEP 8



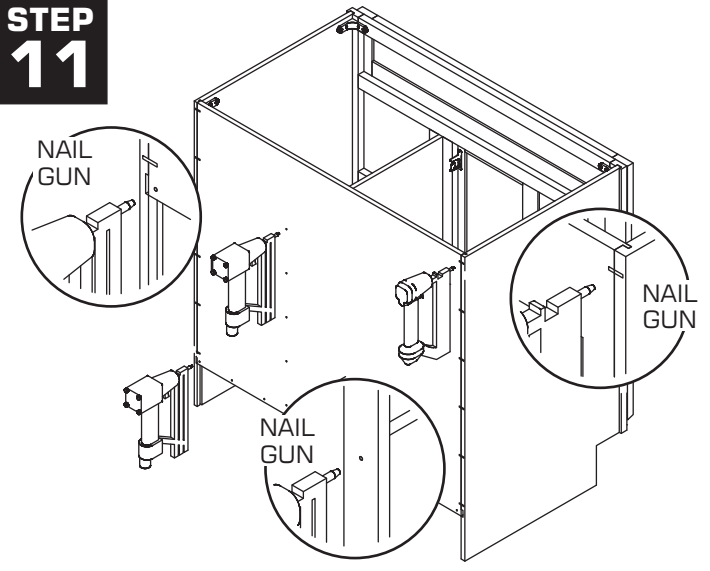
STEP 9



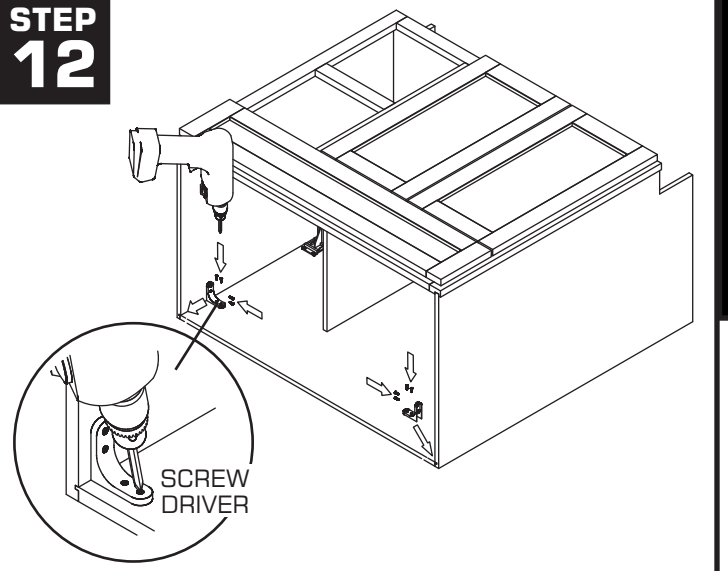
STEP 10



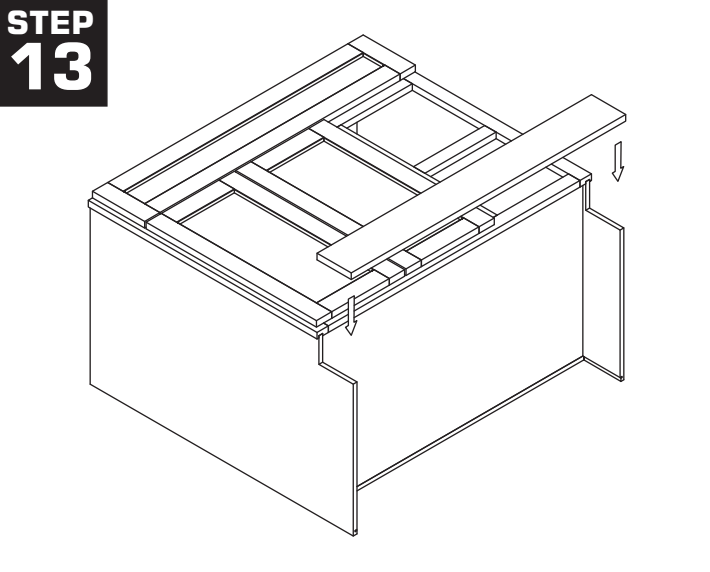
**STEP 11**



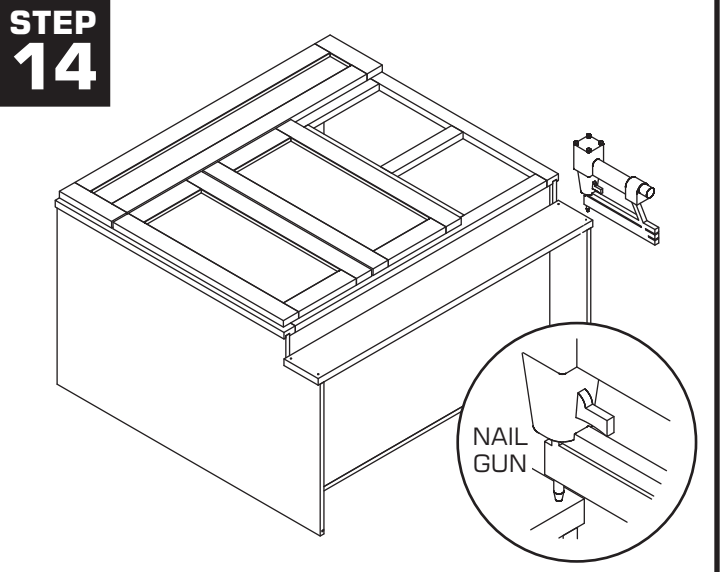
**STEP 12**



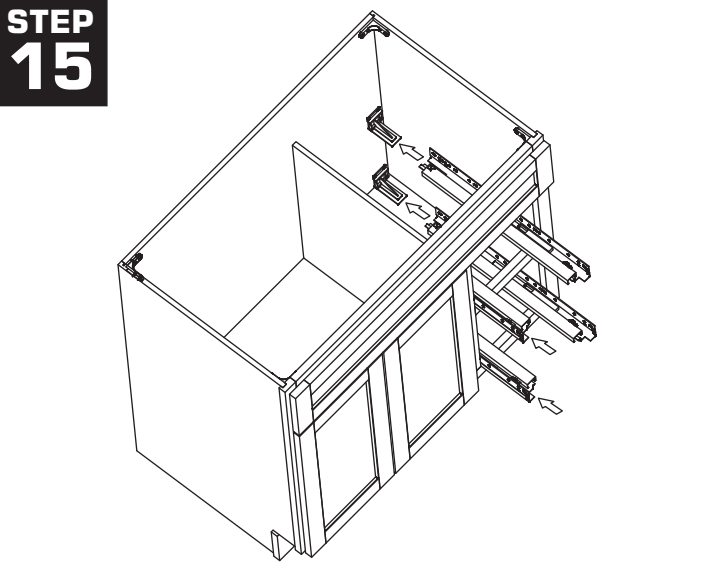
**STEP 13**



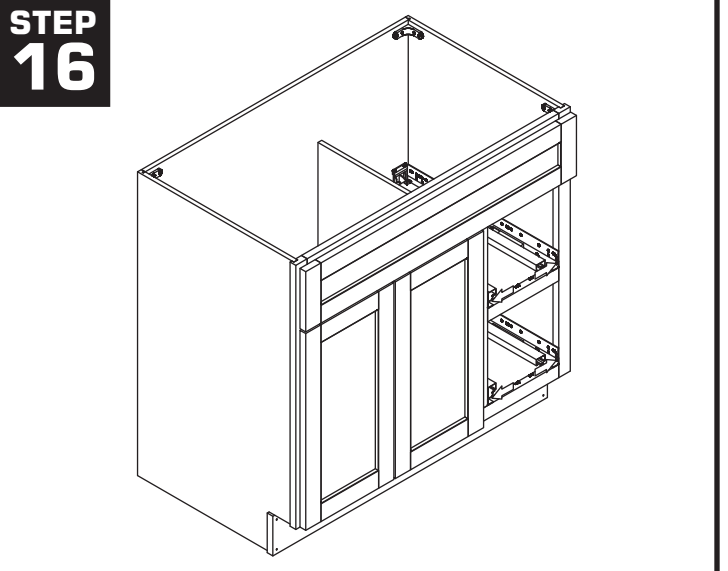
**STEP 14**



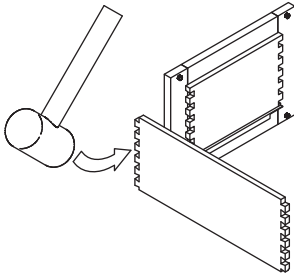
**STEP 15**



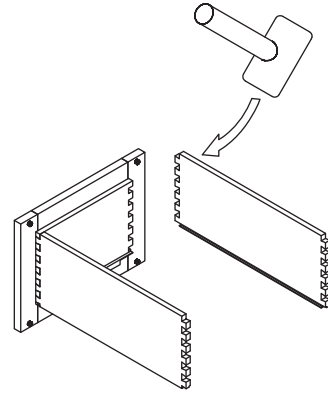
**STEP 16**



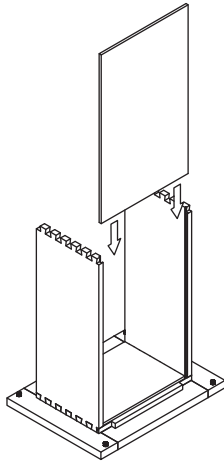
**STEP  
17**



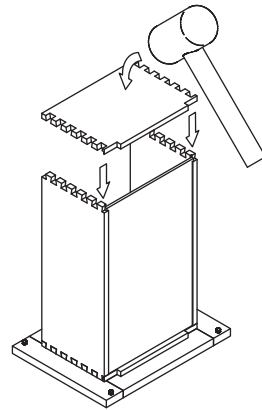
**STEP  
18**



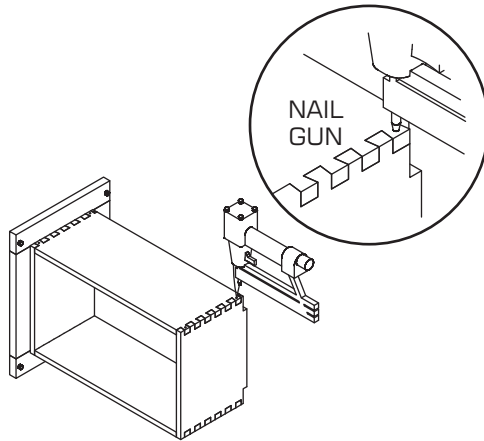
**STEP  
19**



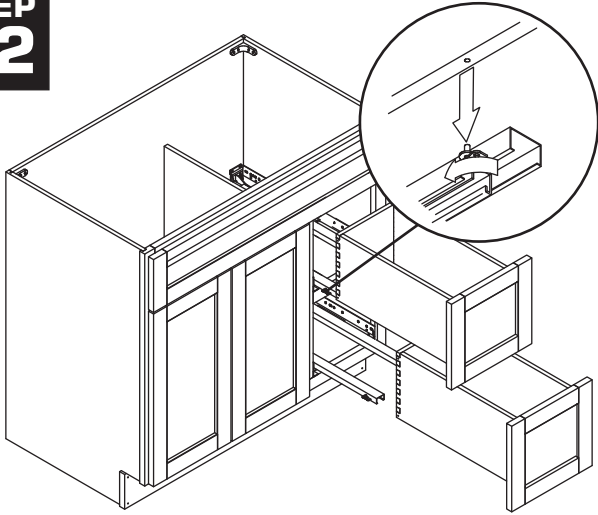
**STEP  
20**



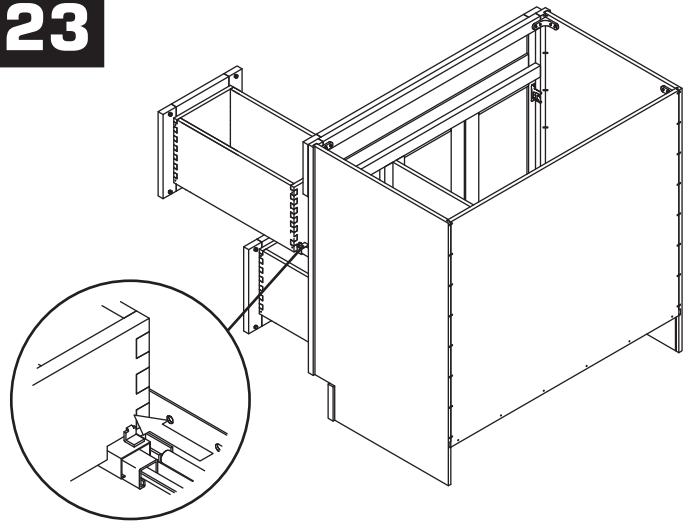
**STEP  
21**



**STEP  
22**



**STEP  
23**



**VANITY CABINET**

**STEP  
24**

